

PARTS LIST
For
“PROMAXX™” Spike Driver
Models: MX60–SD & MX90–SD

INGERSOLL-RAND®
CONSTRUCTION & MINING

Ingersoll–Rand Company, Rock Drill Division
7500 Shadwell Drive, Roanoke, Va. 24019–5198
U.S.A.



Rock Drill Division
Certified ISO–9001 (ANSI/ASQC Q91)
Certification No. QSR–80

Refer All Communications To The Nearest Address Listed On The Back Cover.

“PROMAXX™” Series Paving Breaker

Warranty Policy Statement

INGERSOLL-RAND COMPANY WARRANTS THAT ITS “PROMAXX®” SERIES PAVING BREAKERS ARE FREE OF DEFECTS IN MATERIAL AND WORKMANSHIP FOR THE FOLLOWING PERIODS:

- | | |
|--|---------|
| A. MAIN BREAKER HOUSING
& FRONTHEAD CASTING | 3 YEARS |
| B. ALL OTHER COMPONENTS: | 1 YEAR |

SHOULD AN INGERSOLL-RAND “PROMAXX®” SERIES PAVING BREAKER PROVE DEFECTIVE DURING THE SPECIFIED WARRANTY PERIODS, INGERSOLL-RAND WILL REPLACE OR REPAIR IT FREE OF CHARGE.

THIS WARRANTY DOES NOT APPLY TO NORMAL WEAR AND TEAR, OR TO UNITS THAT HAVE BEEN MODIFIED, MISUSED, OR REPAIRED IN A MANNER NOT APPROVED BY INGERSOLL-RAND COMPANY. THE OPINION OF INGERSOLL-RAND IN DETERMINING COMPLIANCE WITH THE AFOREMENTIONED CONDITIONS WILL BE FINAL.

Ingersoll-Rand Company

Limitation of Liability

THE REMEDIES OF THE USER SET FORTH UNDER PROVISIONS OF WARRANTY OUTLINED ABOVE ARE EXCLUSIVE AND THE TOTAL LIABILITY OF INGERSOLL-RAND OR ITS DISTRIBUTORS WITH RESPECT TO THIS SALE OR THE EQUIPMENT AND SERVICE FURNISHED HEREUNDER, IN CONNECTION WITH THE PERFORMANCE OR BREACH THEREOF, OR FROM THE SALE, DELIVERY, INSTALLATION, REPAIR OR TECHNICAL DIRECTION COVERED BY OR FURNISHED UNDER THIS SALE. WHETHER BASED ON CONTRACT, WARRANTY, NEGLIGENCE, INDEMNITY, STRICT LIABILITY OR OTHERWISE SHALL NOT EXCEED THE PURCHASE PRICE OF THE UNIT OF EQUIPMENT UPON WHICH SUCH LIABILITY IS BASED.

INGERSOLL-RAND, ITS SUPPLIER(S) AND ITS DISTRIBUTORS SHALL IN NO EVENT BE LIABLE TO THE USER, ANY SUCCESSORS IN INTEREST OR ANY BENE-

FICIARY OR ASSIGNEE RELATING TO THIS SALE FOR ANY CONSEQUENTIAL, INCIDENTAL, INDIRECT, SPECIAL OR PUNITIVE DAMAGES ARISING OUT OF THIS SALE OR ANY BREACH THEREOF, OR ANY DEFECTS IN, OR FAILURE OF, OR MALFUNCTION OF THE EQUIPMENT UNDER THIS SALE WHETHER BASED UPON LOSS OF USE, LOST PROFITS OR REVENUE, INTEREST, LOST GOODWILL, WORK STOPPAGE, IMPAIRMENT OF OTHER GOODS, LOSS BY REASON OF SHUTDOWN OR NON-OPERATION, INCREASED EXPENSES OF OPERATION OF THE EQUIPMENT, COST OF PURCHASE OF REPLACEMENT POWER OR CLAIMS OF USERS OR CUSTOMERS OF THE USER FOR SERVICE INTERRUPTION WHETHER OR NOT SUCH LOSS OR DAMAGE IS BASED ON CONTRACT, WARRANTY, NEGLIGENCE, INDEMNITY, STRICT LIABILITY OR OTHERWISE.

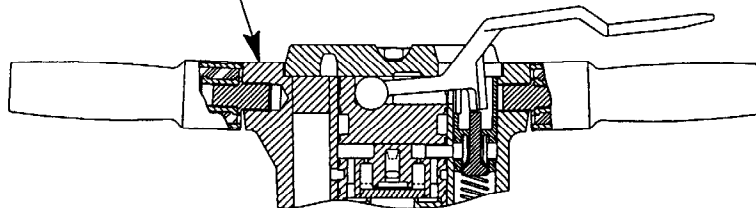
ORDERING INSTRUCTIONS

When ordering service parts, please specify:

1. The **NAME** of each part as listed.
2. The **PART NUMBER** as listed or stamped on the part.
3. The **BATCH/LOT NUMBER** of the equipment.

DO NOT use illustration numbers when ordering service parts. To save time, send all orders for parts to the nearest branch office or agent. IF IT IS NECESSARY TO SEND ANY PART OF THIS EQUIPMENT TO THE FACTORY, INQUIRE AT OUR NEAREST BRANCH OFFICE OR AGENT FOR SPECIAL INSTRUCTIONS.

BATCH/LOT NUMBER IS STAMPED
IN THIS AREA.

**NOTICE**

SAVE THESE INSTRUCTIONS. DO NOT DESTROY.

The use of service parts other than those included within the Ingersoll-Rand® approved parts list may create hazardous conditions over which Ingersoll-Rand® Company has no control. Therefore Ingersoll-Rand® Company cannot be held responsible for equipment in which non-approved repair parts are installed.

All information, illustrations, and specifications in this parts list are based on the latest information available at the time of publication. Product improvement is a continuing goal at Ingersoll-Rand®. Design and specifications are subject to change without notice or obligation.

When the life of the tool has expired, it is recommended that the tool be disassembled, degreased and parts be separated by material so that they can be recycled.

NAME OF ASSEMBLY
Components of an assembly
are indented.

Each column includes the Parts List
Section Numbers applicable to the assembly.

	Manual No.	Section No.
Introduction	PL6119	1
“PROMAXX™” Spike Driver Models MX60–SD & MX90–SD	PL6119	2
General Information	PL6119	3

Alphabetical Index

<u>Title</u>	<u>Page No.</u>
Introduction	1
Safety First	1
Safety Precautions	1

1. INTRODUCTION.

This parts list contains service part numbers, general model information and important safety information for the "PROMAXX™" Spike Driver Models MX60-SD & MX90-SD (hereafter referred to as spike driver).

2. SAFETY FIRST.

SAFETY FIRST is the primary concern for the protection of both, personnel and the spike driver during any phase of operation. All personnel must thoroughly understand all safety precautions before operating or doing any maintenance work on the spike driver.

3. SAFETY PRECAUTIONS.

The Safety Precautions listed are intended to make all personnel aware of the hazards while working on or near a spike driver. All personnel must use common sense and a good working practice while operating and maintaining these spike drivers. The safety precautions listed are of a general nature and cannot cover every possible situation:

a. Always wear approved hard hat, safety shoes, safety glasses, respirator

and ear protection when near a spike driver in operation. Failure to wear approved safety equipment could result in bodily injury.

b. Use only Ingersoll-Rand® replacement parts.

c. Prolonged exposure to excessive noise levels without the use of proper ear protection can result in permanent hearing loss.

d. DO NOT indulge in horseplay. Distractions can cause accidents.

e. Keep your hands off the throttle lever until it is time to start driver operation.

f. Maintain a steady balance at all times.

g. Never put your face close to the spike driver.

h. Never rest the spike driver on your foot.

i. Never point the spike driver at anyone.

j. Never start the spike driver when it is lying on the ground.

k. Compressed air is dangerous. Never point an air hose at yourself or

co-workers. Never blow your clothes free of dust with compressed air.

l. Be sure all hose connections are tight. A loose hose not only causes leaks, but it may come completely off the driver, whip around, and injure the operator and others in the area. Attach safety cables to all hoses to prevent injury if a hose is accidentally broken.

m. Never disconnect a pressurized air hose. Before disconnecting a hose, shut-off the air at the compressor and bleed the spike driver.

n. Always keep both hands on the handle while operating the spike driver.

o. DO NOT "ride" the spike driver with one leg over the handle. The operator can be injured if the tool breaks while he is riding the spike driver.

p. When using any solvent to clean parts, make sure that it meets current safety and health standards and that it is used in an area that is adequately ventilated.

q. DO NOT operate the spike driver without a properly installed oil filter and oil fill plug.

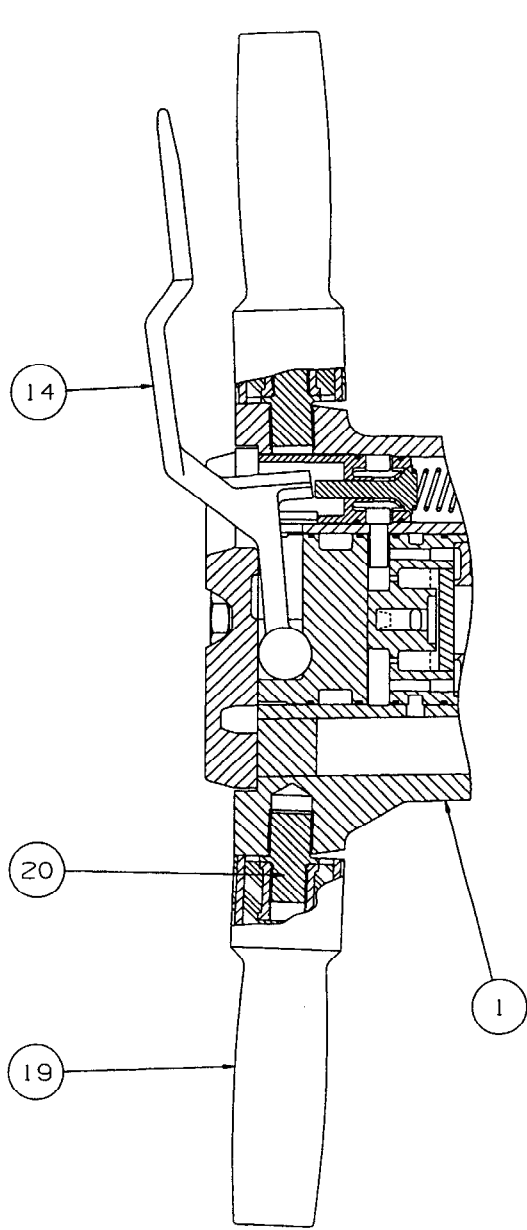
r. DO NOT lift or transport the spike driver by the throttle lever. Damage may occur.



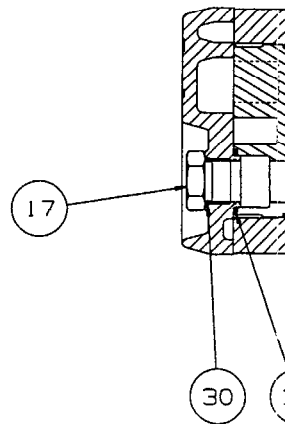
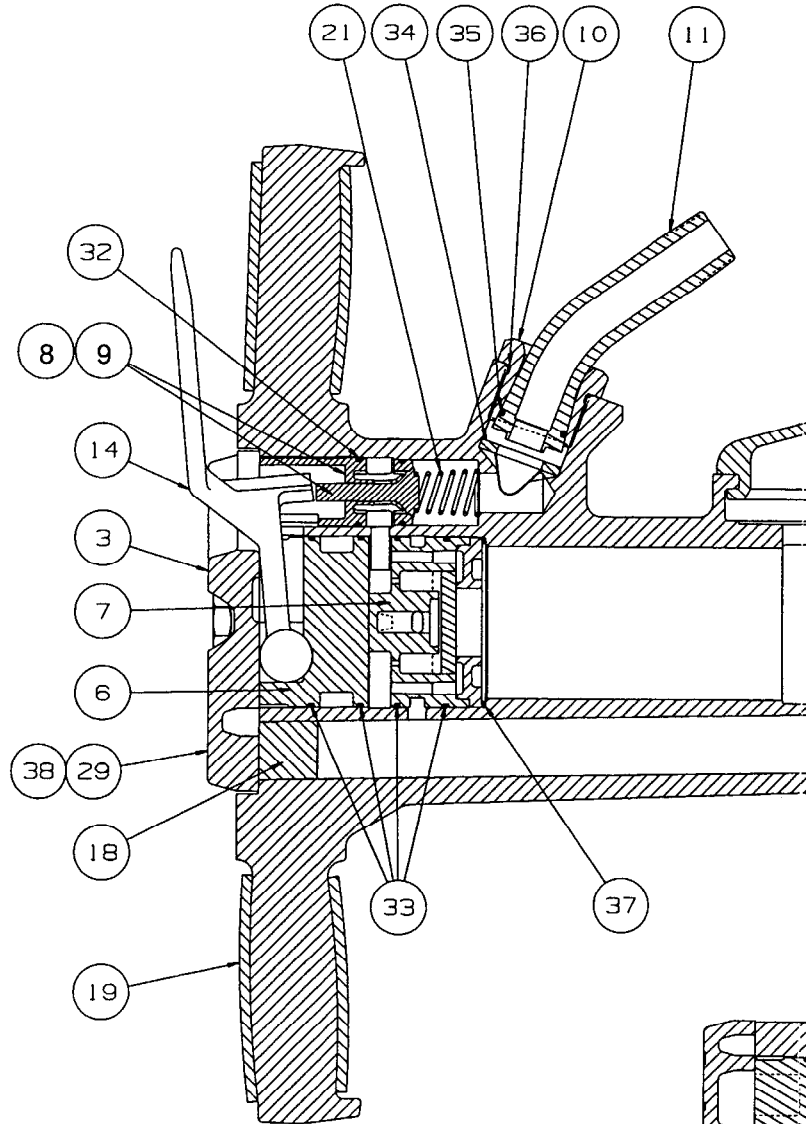
PARTS LIST

**"PROMAX"
MODELS: M**

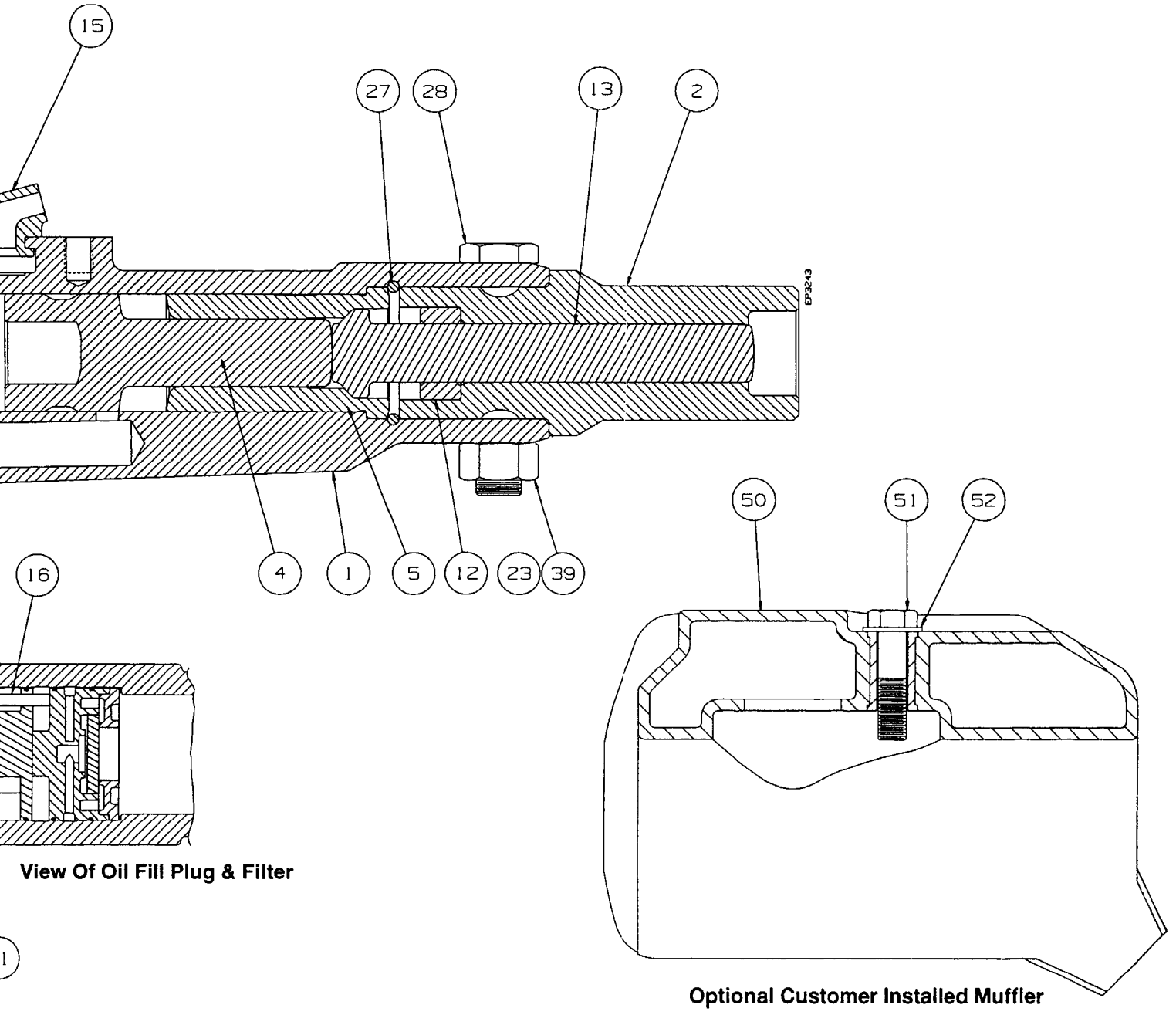
July 11, 1995



Optional Flex Handles



**Spike Driver Models
(For**



View Of Oil Fill Plug & Filter

Optional Customer Installed Muffler

MX60-SD & MX90-SD – Sectional Illustration
(Parts List, refer to Pages 2 & 3)

“PROMAXX™” Spike Driver Models MX60–SD & MX90–SD
(For Illustration of parts, refer to Page 1)

REF NO.	PART NO.	NAME OF PART Parts indented under an item are included with that item.	QTY.	REMARKS
	##	“PROMAXX™” Spike Driver Models MX60–SD & MX90–SD		
1	NSS	HOUSING	1	MX60–SD MODELS
1	NSS	HOUSING	1	MX90–SD MODELS
2	51986487	FRONTHEAD	1	
3	51943447	BACKHEAD	1	
4	51999720	PISTON	1	MX60–SD MODELS
4	51948388	PISTON	1	MX90–SD MODELS
5	52080751	SEAT, PISTON	1	MX60–SD MODELS
5	51986677	SEAT, PISTON	1	MX90–SD MODELS
6	51949857	PLUG, HOUSING	1	
	51955391	KIT, VALVE CHEST	1	MX90–SD MODELS
† 7	51955417	.ASSEMBLY, VALVE CHEST	1	
∞ 8	NSS	..BODY, THROTTLE	1	
∞ 9	NSS	..VALVE, THROTTLE	1	
	52082682	KIT, VALVE CHEST	1	MX60–SD MODELS
♣ 7	52080694	.ASSEMBLY, VALVE CHEST	1	
8	NSS	..BODY, THROTTLE	1	
9	NSS	..VALVE, THROTTLE	1	
10	51361798	CAP, AIR CONNECTION	1	
11	51361863	NIPPLE, SWIVEL	1	
12	51989598	DAMPER	1	
13	51986495	BLOCK, HAMMER	1	
14	51943017	LEVER, THROTTLE	1	MX60/MX90–SD
14	51955565	LEVER, THROTTLE	1	MX60F/MX90F–SD
15	51729036	DEFLECTOR, EXHAUST	1	
† ♣ 16	51945111	FILTER	1	
17	51370203	PLUG, OIL FILL	1	
18	51983666	PLUG, RUBBER	1	MX60–SD MODELS
18	51944007	PLUG, RUBBER	1	MX90–SD MODELS
19	51952869	SLEEVE, HANDLE	2	MX60/MX90–SD
19	51910255	HANDLE, FLEX	2	MX60F/MX90F–SD
20	51913440	CONNECTOR, FLEX HANDLE	2	MX60F/MX90F–SD
∞ 21	51368561	SPRING	1	
23	52080736	WASHER, FRONTHEAD	1	MX60–SD MODELS
23	51378438	WASHER, FRONTHEAD	1	MX90–SD MODELS
27	51954337	RING, RETAINING	1	MX60–SD MODELS
27	51955862	RETAINER	1	MX90–SD MODELS
28	95749537	BOLT, FRONTHEAD	1	MX60–SD MODELS
28	95379608	BOLT, FRONTHEAD	1	MX90–SD MODELS
29	95214995	CAPSCREW, BACKHEAD	4	
30	95209870	O–RING, OIL FILL PLUG	1	
† ∞ ♣ 31	95018107	O–RING, BACKHEAD	1	
∞ 32	95097705	O–RING, THROTTLE BODY	2	
† ♣ 33	03242559	SEAL	4	
34	51998367	STRAINER, AIR	1	
35	95086161	O–RING, SWIVEL NIPPLE	1	
36	95086112	O–RING, CONNECTION CAP	1	

(CONTINUED)

“PROMAXX™” Spike Driver Models MX60–SD & MX90–SD (Con’t.)
(For Illustration of parts, refer to Page 1)

REF NO.	PART NO.	NAME OF PART Parts indented under an item are included with that item.	QTY.	REMARKS
	##	“PROMAXX™” Spike Driver Models (Con’t.) MX60–SD & MX90–SD		
†♣ 37	95086583	O–RING, VALVE COVER	1	
38	51948016	WASHER, BACKHEAD	4	
39	95477196	NUT, FRONTHEAD	1	MX60–SD MODELS
39	95471165	NUT, FRONTHEAD	1	MX90–SD MODELS
		OPTIONAL EQUIPMENT (Furnished only when specially ordered)		
50	51982148	MUFFLER (FURNISHED W/BOLT & WASHER)	1	MX60–SD MODELS
50	51953453	MUFFLER (FURNISHED W/BOLT & WASHER)	1	MX90–SD MODELS
51	95054144	.BOLT, MUFFLER	1	
52	51948016	.WASHER, MUFFLER	1	
	35364322	LUBRICATOR, IN-LINE	1	
		AVAILABLE KITS (Furnished only when specially ordered)		
	51955391	KIT, VALVE CHEST	1	MX90–SD MODELS
	52082682	KIT, VALVE CHEST	1	MX60–SD MODELS
	51955375	KIT, THROTTLE VALVE	1	
		LUBRICATION (Furnished only when specially ordered)		
	51378701	ROCK DRILL OIL (LIGHT)	1 GAL	
	51378727	ROCK DRILL OIL (LIGHT)	5 GAL	
	51378743	ROCK DRILL OIL (LIGHT)	55 GAL	

- ## NOTICE:** REFER TO SECTION 3 FOR A LISTING OF ALL AVAILABLE SPIKE DRIVER MODEL AND PART NUMBERS.
- † NOTICE:** THESE PARTS ARE INCLUDED IN **VALVE CHEST KIT 51955391**.
- ♣ NOTICE:** THESE PARTS ARE INCLUDED IN **VALVE CHEST KIT 52082682**.
- ⊗ NOTICE:** THESE PARTS ARE INCLUDED IN **THROTTLE VALVE KIT 51955375**.
- NSS NOTICE:** THESE PARTS ARE NOT SOLD SEPARATELY.





GENERAL.

The "PROMAXX™" Spike Driver Model MX60-SD is a medium-duty and the MX90-SD is a heavy-duty driver that provide maximum performance at minimum cost. They are designed for general spike driver work where their size and weight range is necessary. With the two-piece design (housing and fronthead) the drivers are easier to maintain with minimum disassembly.

STANDARD EQUIPMENT.

Each spike driver is a complete unit ready to be put into service with proper lubrication. There are no extra parts or special fittings required.

NOTICE**SPIKE DRIVER COMBINATIONS.**

The following is a list of all available combinations (by model and part number) for all MX60-SD & MX90-SD Spike Drivers:

1) MX60 Models:

- a. MX60-SD (51997922)
- b. MX60F-SD (51997930)

2) MX90 Models:

- a. MX90-SD (51997948)
- b. MX90F-SD (51997955)

MUFFLER.

An add on muffler is available for drills without one.

The muffler assembly is used to reduce spike driver noise without hindering performance. This assembly is available for spike drivers that do not have a muffler.

LUBRICATION.

A high-quality rock drill oil conforming to the physical and chemical properties outlined in the instruction manual, must be added to the operating air supply to lubricate the moving parts of the spike drivers. The method of lubrication depends on actual operating conditions and customer preference:

▲ CAUTION

THE LUBRICATING OIL RESERVOIR BUILT INTO THE HOUSING PLUG IN THE SPIKE DRIVER MUST BE CHECKED EVERY TWO HOURS AND REFILLED AS NECESSARY.

- a. The lubricating-oil reservoir built in the housing plug will provide proper lubrication. It must be checked every two hours and refilled as necessary. Refer to the instruction manual listed below for instructions on how to fill the reservoir.
- b. For intermittent operation with an air-supply hose no longer than 50 ft. (15 m), a compressor-mounted lubricator can be used.

c. For continuous operation during an eight-hour shift, an Ingersoll-Rand lubricator Part Number 35364322, or other constant-feed air line lubricator, should be installed in the air-supply line about 11.5 ft. (3.5 m) from the breaker. The 35364322 has a capacity of 1 U.S. pint (0.47 liters) and will be furnished when specially ordered.

NOTICE

Refer to IM6119 "Instruction Manual For "PROMAXX™" Spike Driver Models MX60-SD & MX90-SD" for installation and operation instructions. Refer to RM6119 "Maintenance and Repair Manual For "PROMAXX™" Spike Driver Models MX60-SD & MX90-SD for maintenance and repair instructions.



Worldwide Ingersoll-Rand sales offices

U.S.A.

U.S. C&M OFFICES

Bethlehem, PA 18017-2293
1495 Valley Center Pkwy.
215/882-8800

Boston, MA 02125
33 Locust Street
617/288-8988

Casper, WY 82601
3273 N. I-25 Frontage Road
307/237-4259

Denver, CO 80207
5805 East 39th Ave.
303/399-1580

East Hanover, NJ 07936
98 Route #10
201/887-1212

Elkridge, MD 21227
5681 Main Street
410/796-3200

Gray, TN 37615
Suncrest Drive
615/477-3114

Houston, TX 77001
2210 McAllister
713/681-9221

Knoxville, TN 37922 (C&M)
112 Glenleigh Court
Suite #1
615/966-8800

Knoxville, TN 37912 (IRES)
4726 Clinton Hwy.
615/525-0404

Milwaukee, WI 53225
12311 West Silver Springs Dr.
414/461-7810

Nashville, TN 37229
310 S. Second St.
615/254-1811

New Castle, DE 19702
91 Christiana Road
302/324-9040

New Cumberland, PA 17070
Exit 15 on Rt. 83
4 miles south of Harrisburg
717/938-1441

New England
300 Turnpike Rd. -Route 9
Southboro, MA 01772
508/481-1350

Philadelphia
Route 309
Montgomeryville, PA 18936
215/855-9990

Phoenix, AZ 85007
820 N. 17th Ave.
602/258-6493

Pico Rivera, CA 90660
5211 Paramount Blvd.
310/948-3801

Portland, OR 97214
240 South East Clay Street
503/232-0151

Sacramento, CA 95836
1851 Bell Avenue
916/641-1994

San Leandro, CA 94577
1944 Marina Blvd.
510/357-9131

Scranton, PA 18505
605 Davis St.
717/346-3885

Seattle, WA 98168
11222 E. Marginal Way, S.
206/762-7400

U.S. C&M FACTORIES ROCK DRILLS

Rotary blasthole deephole, monitoring rigs

Ingersoll-Rand Co.
Rotary Drill Division
2100 N. First St.
Garland, TX 75040
214/495-8181

Downhole Drills and Bits; Pneumatic and Hydraulic Crawler Drills; Anchor Drills; Breakers and Jackhammers™.

Ingersoll-Rand Co.
Rock Drill Division
7500 Shadwell Drive
Roanoke, VA 24019-5198
703/362-3321

COMPACTORS, PAVING MILLERS, ASPHALT PAVERS AND FORKLIFTS

Ingersoll-Rand Co.
Road Machinery Division
Ingersoll Drive
Shippensburg, PA 17257
717/532-9181

UNDERGROUND EQUIPMENT

Roadheaders; drill jumbos, diesel- powered production and utility equip- ment (scoops, haul dumps, etc.)

Contact Rock Drill Division
Roanoke, VA

Split Set rock stabilizers

Simmons - Rand Co.
Split Set Division
Suite 300
100 Thanet Circle
Princeton, NJ 08540-3662
609/921-8688

AIR COMPRESSORS

Portable compressors, Generator Sets and Light Plants

Ingersoll-Rand Co.
Portable Compressor Division
P.O. Box 868
501 Sanford Ave.
Mocksville, NC 27028
704/634-3561

Small Compressor Plant

Ingersoll-Rand Co.
101 Industrial Drive
Campbellsville, KY 42718
502/465-3511

Centrifugal compressors (Centac)

Ingersoll-Rand Co.
Centrifugal Compressor Division
Route 45
Mayfield, KY 42066
502/247-8640

Reciprocating and rotary-screw compressors

Ingersoll-Rand Co.
Air Compressor Group
P.O. Box 1600
800A Beaty St.
Davidson, NC 28036
704/892-7100

PUMPS

Engineered centrifugal pumps

Ingersoll-Rand Co.
P.O. Box 486
Phillipsburg, NJ 08865
201/859-7000

Reciprocating pumps and standard centrifugal pumps

Ingersoll-Rand Co.
P.O. Box 656
Allentown, PA 18105
215/433-6411

Vertical turbine pumps

Ingersoll-Rand Co.
Vertical Turbine Pump Division
Hastings, NE 68901
402/463-1306

TOOLS, WINCHES

Ingersoll-Rand Co.
Power Tool Division
P.O. Box 1776
Liberty Corner, NJ 07938
201/647-6000

LIQUID/SOLID SEPARATORS

Ingersoll-Rand Co.
Impco Division
150 Burke St.
Nashua, NH 03061
603/882-2711

CANADA

Surface and underground equipment Tools and Industrial equipment

Ingersoll-Rand Canada Inc.
2360 Millrace Court
Mississauga, Ontario L5N1W2
(1)416/858-8480

Ingersoll-Rand Canada, Inc.
2250 Hymus Blvd
Dorval, Quebec H9P1J9
(1) 514/683-9157

MEXICO

All equipment

Ingersoll-Rand, S.A. de C.V.
Boulevard Centro
Industrial #11
Fracc. Industrial
Puente de Vigas
Tlalnepantla,
54090 Edo, de Mexico
Mexico
52 (5) 390-40-21
52 (5) 390-24-11

SOUTH AMERICA

USA, Miami, Florida
1 (305) 599-0500

Chile - Santiago
56 (2) 41-198

Colombia - Bogota
57 (1) 219-1406/1460

Venezuela - Caracas
58 (2) 239-9369

EUROPE

Austria - Vienna
43 (222) 83-05-250

Belgium - Brussels
32 (02) 216-99-95

France - Trappes
33 (3) 050-61-10

Germany - Ratingen
49 (2102) 48090

*Italy - Milano
39 (02) 950561

Netherlands - Zoeterwoude
31 (071) 452200

Norway - Oslo
47 (02) 39-15-26

Spain - Madrid
34 (9) 1-671-07-00

Sweden - Spanga
46 (08) 750-59-20

United Kingdom - London
44 (01) 584-5070

*Also for Bulgaria, Czechoslovakia,
Hungary, Poland, Rumania, USSR,
Yugoslavia.

AFRICA-MIDDLE EAST

Egypt - Cairo
(02)341-5190

South Africa - Alrode
27 (011) 864-3930

ASIA-PACIFIC

Australia - Melbourne
61-(3) 794-1611

Hong Kong
852 (5) 270183

India - Bombay
91 (22) 4936765

Japan - Tokyo
81 (3) 403-0841/7

Korea - Seoul
82 (2) 776-2541

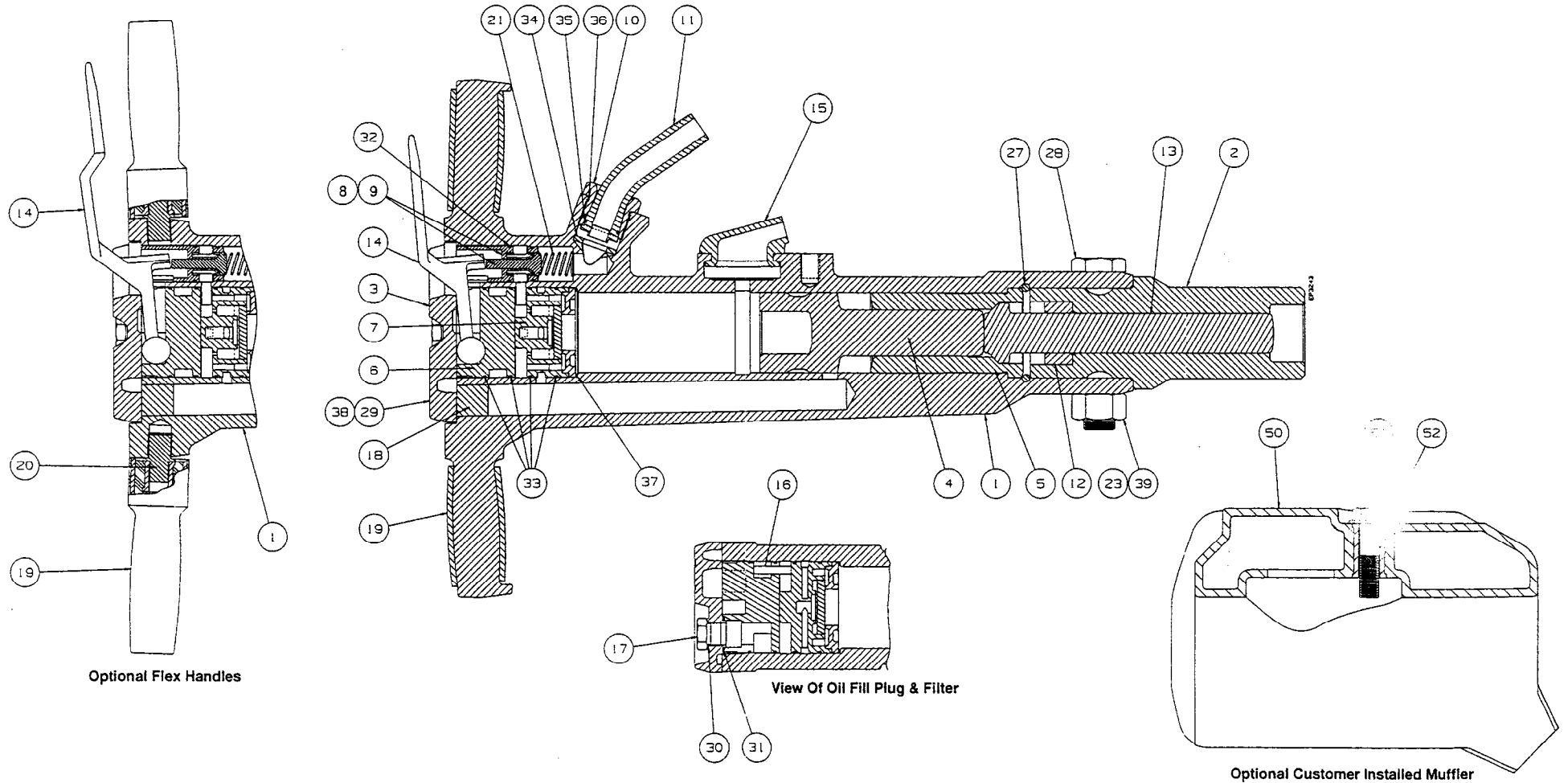
New Zealand - Auckland
64 (9) 885096

Philippines - Manila
63 (2) 89-85-06/08

Singapore
(65) 8611555

"PROMAXX™" SPIKE DRIVER
MODELS: MX60-SD & MX90-SD

July 11, 1995



Spike Driver Models MX60-SD & MX90-SD – Sectional Illustration
(For Parts List, refer to Pages 2 & 3)