

MAINTENANCE SECTION COVERING REMOTE PALM SWITCH for use with TMAD CONTROL CABINET



This symbol is to alert the user and service personnel to the presence of non insulated dangerous voltage that will cause a risk of electric shock.



This symbol is to alert the user and service personnel to the presence of important operating instructions that must be read and understood to prevent personal injury, electrical shock or damage to the equipment.

⚠ WARNING

**SAVE THESE INSTRUCTIONS. DO NOT DESTROY.
READ ALL INSTRUCTIONS BEFORE OPERATING THIS TOOL.**

Disconnect the Power Cord from the receptacle before performing maintenance on this tool.

Do not attempt to repair this tool unless you are an authorized trained repair person. Consult your Service Center Listing for the nearest Ingersoll-Rand Authorized Servicenter.

When using electric tools, basic safety precautions should always be followed to reduce the risk of fire, electric shock and personal injury, including the following:

1. **Always wear ear and eye protection.**
2. **Keep the work area clean.** Cluttered areas and benches invite injuries.
3. **Consider work are environment:**
Do not expose electric power tools or components to water.
Do not use electric power tools in the presence of flammable liquids or gases.
4. **Guard against electric shock.** Prevent body contact with grounded surfaces, such as pipes, radiators, metal structures or other electrical products.
5. **Don't abuse the cord.** Never carry a tool by its cord or yank the cord in order to disconnect it from a receptacle. Keep the cord away from heat, oil, solvents and sharp edges. Do not use a tool if the cord or plug is broken or damaged.
6. **Maintain tools with care.** Inspect tool cords periodically and if damaged, have repairs made by an authorized service person. Keep tools dry, clean and free from oil and grease build-up.
7. **Disconnect tools.** When not in use and when changing accessories.
8. **Check damaged parts.** **DO NOT** use a switch or connector that has been damaged. Damaged parts would be properly repaired or replaced by an authorized service center unless otherwise indicated elsewhere in this manual.

NOTICE

The use of other than genuine Ingersoll-Rand replacement parts may result in decreased tool performance and increased maintenance, and may invalidate all warranties.

Ingersoll-Rand is not responsible for customer modification of tools for applications on which Ingersoll-Rand was not consulted.

It is the responsibility of the employer to place the information in this manual into the hands of the operator.

Refer All Communications to the Nearest
Ingersoll-Rand Office or Distributor.

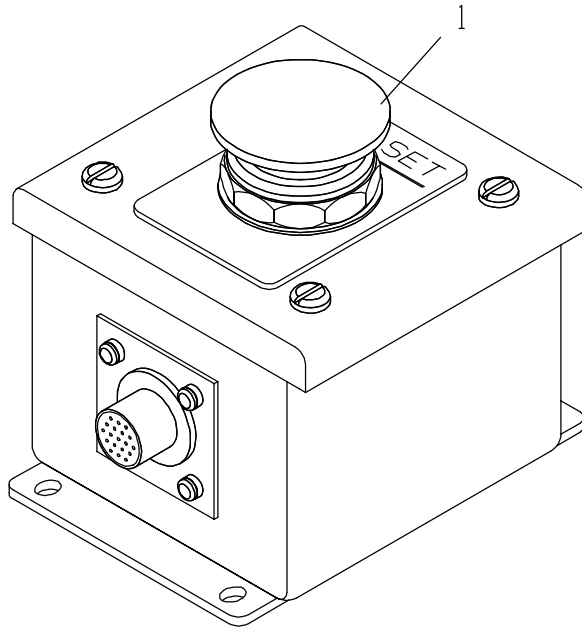
© Ingersoll-Rand Company 1996

Printed in U.S.A.

INGERSOLL-RAND®

PROFESSIONAL TOOLS

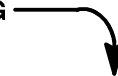
MAINTENANCE SECTION



REMOTE PALM SWITCH

(Dwg. TPD1874)

PART NUMBER FOR ORDERING



1	Remote Palm Switch	DEA40-A830
	Mushroom Head Pushbutton Switch	DEA40-831

WIRING CHART

Receptacle Pin	Wire Color	Connector Pin No.
"G"	White	1
"B"	Black	2
"C"	Orange	3
"E"	Blue	4
"F"	Yellow	5

Two 1 1/2 inch long pieces of the Blue wire called for above connect terminal "J102" on the Circuit Board to the "Normally Open" contacts on the Pushbutton Switch.

NOTICE

SAVE THESE INSTRUCTIONS. DO NOT DESTROY.