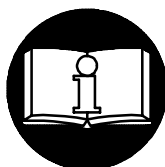


MAINTENANCE SECTION COVERING DEAA SOCKET TRAY for use with TMAD CONTROL CABINET



⚠ WARNING

**IMPORTANT SAFETY INFORMATION ENCLOSED.
READ THIS MANUAL BEFORE OPERATING TOOL.**

FAILURE TO OBSERVE THE FOLLOWING WARNINGS COULD RESULT IN INJURY.



This symbol is to alert the user and service personnel to the presence of uninsulated dangerous voltage that will cause a risk of electric shock.



This symbol is to alert the user and service personnel to the presence of important operating instructions that must be read and understood to prevent personal injury, electrical shock or damage to the equipment.

Do not attempt to repair this tool unless you are an authorized trained repair person.

Consult your Service Center Listing for your nearest Ingersoll-Rand Authorized Servicenter.

When using electric tools, basic safety precautions should always be followed to reduce the risk of fire, electric shock and personal injury, including the following:

1. **Always wear ear and eye protection.**
2. **Use only impact sockets and accessories.** Do not use hand (chrome) sockets or accessories.
3. **Keep the work area clean.** Cluttered areas and benches invite injuries.
4. **Consider work area environment:**
Do not expose electric power tools or components to water.
Do not use electric power tools in the presence of flammable liquids or gases.
5. **Guard against electric shock.** Prevent body contact with grounded surfaces, such as pipes, radiators, metal structures or other electrical products.
6. **Store idle tools.** When not in use, tools should be stored in a dry, and secured area.
7. **Use the right tool.** Don't use a small tool or attachment to do the job of a heavy-duty tool. A tool will do the job better and safer at the rate for which it was intended.

(Continued on page 2)

⚠ WARNING



Disconnect Electrical Power before performing any maintenance on this tool.

NOTICE

The use of other than genuine Ingersoll-Rand replacement parts may result in decreased tool performance and increased maintenance, and may invalidate all warranties.

Ingersoll-Rand is not responsible for customer modification of tools for applications on which Ingersoll-Rand was not consulted.

Repairs should be made only by authorized, trained personnel. Consult your nearest Ingersoll-Rand Servicenter.

It is the responsibility of the employer to place the information in this manual into the hands of the person installing the socket tray.

Refer All Communications to the Nearest
Ingersoll-Rand Office or Distributor.

© Ingersoll-Rand Company 1996

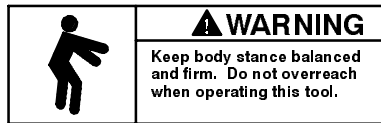
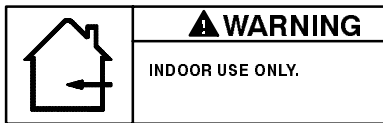
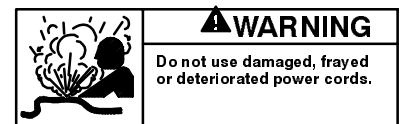
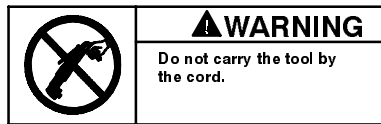
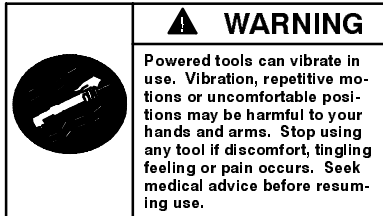
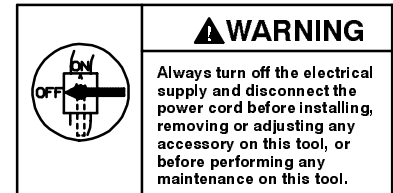
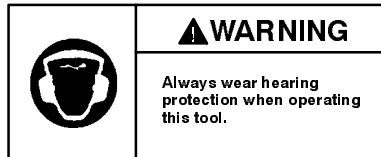
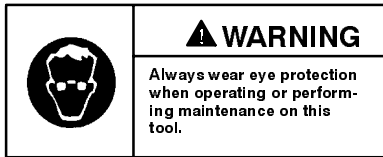
Printed in U.S.A.

INGERSOLL-RAND®
PROFESSIONAL TOOLS

WARNING LABEL IDENTIFICATION

⚠ WARNING

FAILURE TO OBSERVE THE FOLLOWING WARNINGS COULD RESULT IN INJURY.



⚠ WARNING

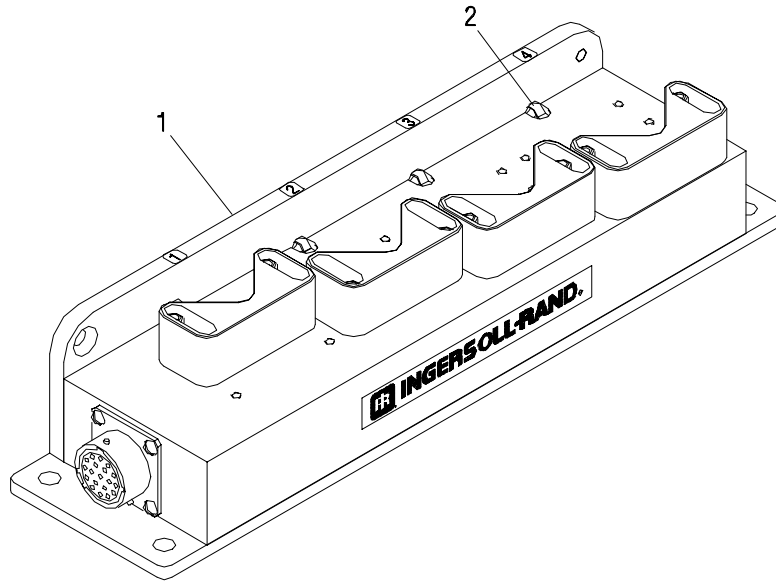
FAILURE TO OBSERVE THE FOLLOWING WARNINGS COULD RESULT IN INJURY.

(Continued from page 1)

8. **Don't abuse the cord.** Never carry a tool by its cord or yank the cord in order to disconnect it from a receptacle. Keep cord away from heat, oil, solvents and sharp edges. Do not use a tool if the cord or plug is broken or damaged.
9. **Maintain tools with care.** Inspect tool cords periodically and if damaged, have repairs made by an authorized service person. Keep tools dry, clean, and free from oil and grease build-up.
10. **Disconnect tools.** When not in use and when changing accessories.
11. **Stay alert.** Watch what you are doing. Use common sense. Do not operate tools when you are tired.
12. **Check damaged parts.** Before further use of the tool, any part that has been damaged should be carefully checked to determine that it will operate properly and perform its intended function. Check for alignment of moving parts, binding of moving parts, breakage of parts, mounting, and any other conditions that may affect its operation. **DO NOT** use a switch that has been damaged. Damaged parts should be properly repaired or replaced by an authorized service center unless otherwise indicated elsewhere in this instruction manual.

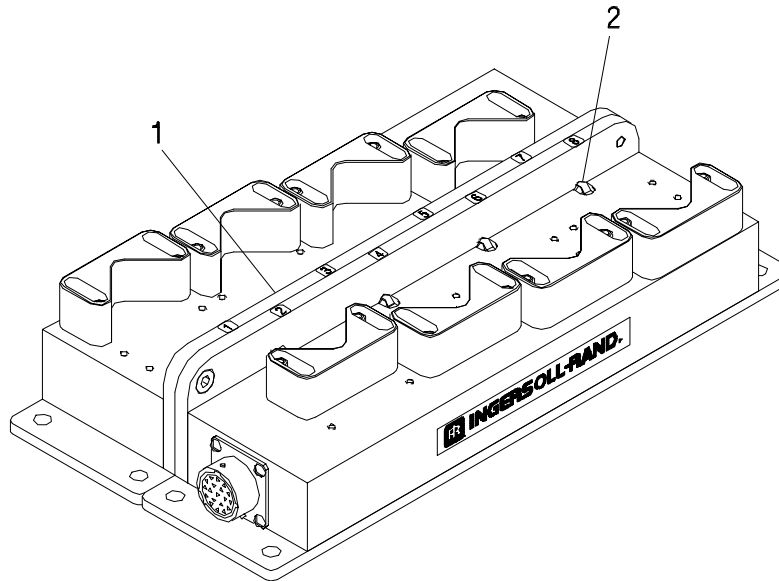
MAINTENANCE SECTION

4 POSITION SOCKET TRAY



(Dwg. TPD1852)

8 POSITION SOCKET TRAY



(Dwg. TPD1853)

PART NUMBER FOR ORDERING

1	Socket Tray Assembly	
	For 4 Socket model	DEAA-400
	For 8 Socket model	DEAA-800
2	Switch (4 req'd. for DEAA-400) (8 req'd. for DEAA-800)	DEA40-745
*	Cable Assembly	
	10 ft. long	DEAA-750-10
	20 ft. long	DEAA-750-20
	30 ft. long	DEAA-750-30

* Not illustrated.

MAINTENANCE SECTION

⚠ WARNING



Disconnect Electrical Power Cord before attempting any maintenance or repair work on this equipment.

FAILURE TO DO SO COULD RESULT IN INJURY.

DISASSEMBLY

The following tools are required to maintain the Socket Tray:

5/64 in. Hex Wrench	Needle Nose Pliers
1/8 in. Hex Wrench	Ball Peen Hammer
Small Flat Blade Screwdriver	Soldering Iron

1. Remove all sockets from the tray.
2. Loosen and remove the Connector on the Cable Assembly from the Spindle Receptacle on the Control Cabinet.
3. Loosen and remove the Connector from the Receptacle on the Socket Tray (1).
4. Place the Socket Tray on a flat surface with the Mounting Plate facing up.
Use the 1/8 in. Hex Wrench to loosen and remove the Screws (either four or eight depending on the model) that secure the Mounting Plate(s) to the Socket Base.
5. Remove the Mounting Plate(s) to expose the wiring, Switch terminals, and the back end of the Electrical Receptacle. Removal of the Receptacle and any necessary wiring repairs can now be accomplished. The Receptacle can be removed by loosening and removing the four No. 4 machine screws that mount it to the Socket Base using the small Flat Blade Screwdriver.
6. Remove the Socket Guides, if necessary, by loosening and removing the two screws in each guide using the 5/64 in. Hex Wrench.
7. If changing a Switch (2) is necessary proceed as follows:

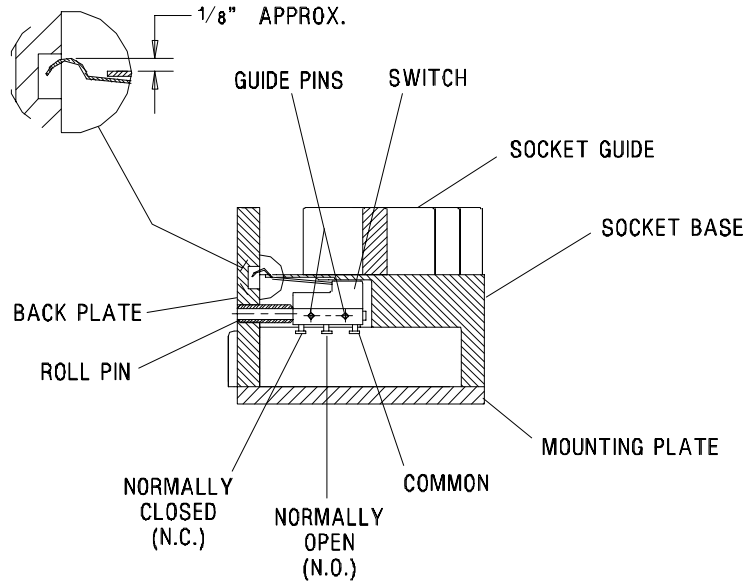
For DEAA-400 models: Remove the Back Plate by using the 1/8 in. Hex Wrench to loosen and removing the five Screws that hold it to the Socket Base. The Switch and its Guide Pins can now be removed by sliding the whole unit out of the Socket Base.

For DEAA-800 models: Use the No. 10 Allen Wrench to loosen and remove the four screws holding the Back Plates together. Remove the Back Plate by using the same wrench to loosen and remove the five screws that hold it to the Socket Base. The Switch and its Guide Pins can now be removed by sliding the whole unit out of the Socket Base.

ASSEMBLY

1. Slide the Guide pins into the Switches. Locate the Guide pins in the mounting slots in the Socket Base and slide each switch into position. Use the Needle Nose pliers to carefully bend the Switch Arm to fit approximately 1/8 inch above the top of the Socket Base. (See drawing TPD1856).
2. Install the Roll Pins in the Back Plate and use the 1/8 in. Hex Wrench to fasten the Back Plate to the Socket Base with the five mounting Screws.
For DEAA-800 models: Use the same wrench to fasten the Back Plates together with the four mounting screws.
3. Install each of the Socket Guides using the 5/64 in. Hex Wrench to tighten the two mounting screws.
4. Mount the Receptacle to the Socket Base with the four mounting screws.
5. Make the required electrical connections. (See Drawing TPD1856 and the Wiring Charts on the next page).
6. Place the Socket Base on a flat surface with the open side up. Install the screws (either four or eight depending on the model) that secure the Mounting Plate(s) to the Socket Base(s).
7. Tighten the Cable Assembly Connector onto the Receptacle on the Socket Tray.
8. Turn the Selector Switch on the Control Cabinet to the "Remote" position and tighten the remaining Cable Assembly Connector on the Spindle Receptacle.
9. Insert the Sockets in the Tray and make final adjustments to the Socket Guides.
10. Enter the desired torque parameters for each socket position on the LCD Display Screen on the front of the TMAD Control Cabinet to allow the Controller in the cabinet to regulate tool torque. (Refer to the TMAD Maintenance and Operation Manual – Ingersoll-Rand Form 7114).

MAINTENANCE SECTION



(Dwg. TPD1856)

WIRING CHART FOR DEAA-400

RECEPTACLE PIN	WIRE COLOR	CONNECTION
H	DARK BLUE	SWITCH COMMON
J	BLACK	SWITCH NO. 1 N.C.
K	ORANGE	SWITCH NO. 2 N.C.
L	RED	SWITCH NO. 3 N.C.
M	GREEN	SWITCH NO. 4 N.C.

WIRING CHART FOR DEAA-800

RECEPTACLE PIN	WIRE COLOR	CONNECTION
H	DARK BLUE	SWITCH COMMON
J	BLACK	SWITCH NO. 1 N.C.
K	ORANGE	SWITCH NO. 2 N.C.
L	RED	SWITCH NO. 3 N.C.
M	GREEN	SWITCH NO. 4 N.C.
S	WHITE	SWITCH NO. 5 N.C.
T	BROWN	SWITCH NO. 6 N.C.
U	YELLOW	SWITCH NO. 7 N.C.
V	GRAY	SWITCH NO. 8 N.C.

NOTES

NOTICE

SAVE THESE INSTRUCTIONS. DO NOT DESTROY.