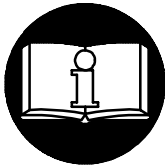


**MAINTENANCE SECTION COVERING  
DEA120-K364 HANGER KIT  
for  
SERIES DEA120 TORQUE CONTROL WRENCHES**



**⚠ WARNING**

**IMPORTANT SAFETY INFORMATION ENCLOSED.  
READ THIS MANUAL BEFORE OPERATING TOOL.**

**FAILURE TO OBSERVE THE FOLLOWING WARNINGS COULD RESULT IN INJURY.**

**This symbol is to alert the user and service personnel to the presence of uninsulated dangerous voltage that will cause a risk of electric shock.**

**This symbol is to alert the user and service personnel to the presence of important operating instructions that must be read and understood to prevent personal injury, electrical shock or damage to the equipment.**

**⚠ WARNING**

**When installing or removing the Hanger Kit on a tool, use a copper or leather cover on the vise jaws and ALWAYS hold the tool by the flats on the Gear Case or by the front of the Angle Head. NEVER grasp the composite tool body or handle in vise jaws. Such practice will result in damage to the tool and will cause the wire leads to malfunction creating an electric shock hazard.**

**NOTICE**

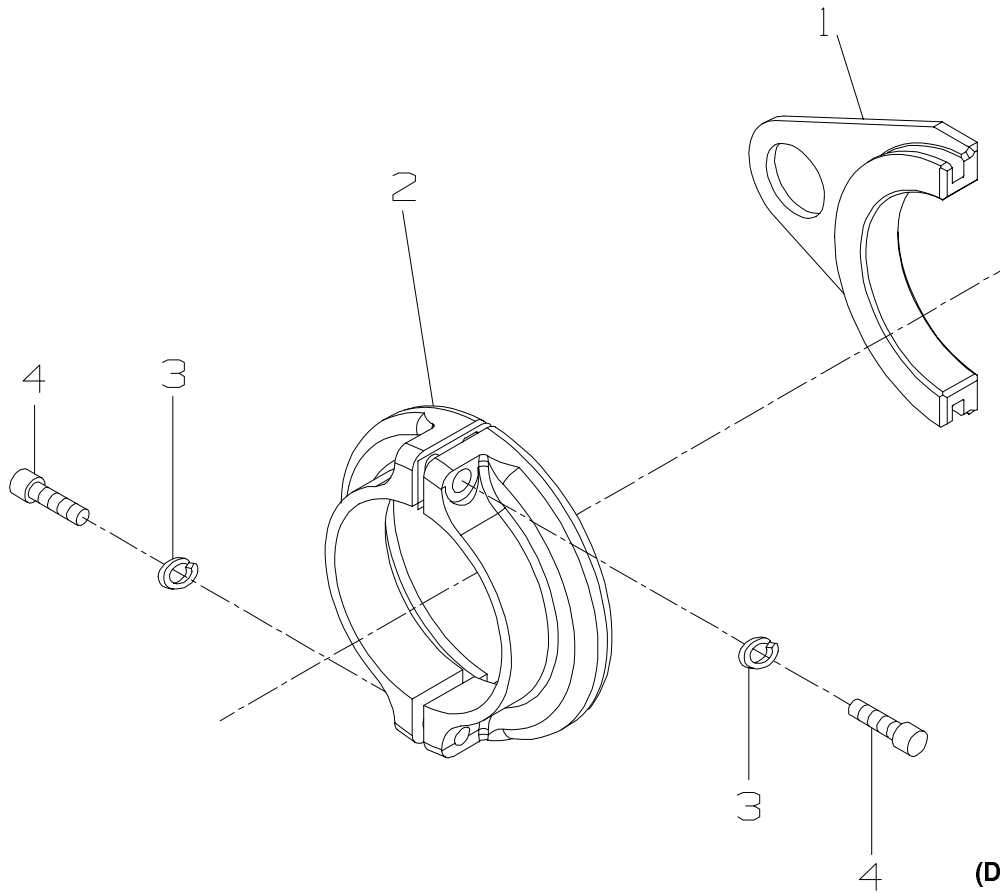
**The use of other than genuine Ingersoll-Rand replacement parts may result in decreased tool performance and increased maintenance, and may invalidate all warranties.**

**Ingersoll-Rand is not responsible for customer modification of tools for applications on which Ingersoll-Rand was not consulted.**

**Repairs should be made only by authorized, trained personnel. Consult your nearest Ingersoll-Rand Servicenter.**

**It is the responsibility of the employer to place the information in this manual into the hands of the person installing the kit.**

# HANGER KIT FOR DEA120 WRENCH



(Dwg. TPC661)

**PART NUMBER FOR ORDERING** →

|   |                      |             |
|---|----------------------|-------------|
|   | Hanger Kit .....     | DEA120-K364 |
| 1 | Swivel Hanger .....  | DEA120-366  |
| 2 | Clamp .....          | DEA120-364  |
| 3 | Lockwasher (2) ..... | 4U-58       |
| 4 | Cap Screw (2) .....  | SRA010A1-68 |

**NOTICE**

**SAVE THESE INSTRUCTIONS. DO NOT DESTROY.**