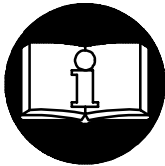


**MAINTENANCE SECTION COVERING
DAM120–K48 MOUNTING PLATE KIT
for
SERIES DAF, DEA, DEF AND DEM
TORQUE CONTROL WRENCHES**



⚠ WARNING

**IMPORTANT SAFETY INFORMATION ENCLOSED.
READ THIS MANUAL BEFORE OPERATING TOOL.**



This symbol is to alert the user and service personnel to the presence of un-insulated dangerous voltage that will cause a risk of electric shock.



This symbol is to alert the user and service personnel to the presence of important operating instructions that must be read and understood to prevent personal injury, electrical shock or damage to the equipment.

⚠ WARNING

When installing or removing the Mounting Plate Kit on a tool, use a copper or leather cover on the vise jaws and **ALWAYS** hold the tool by the flats on the Gear Case or by the front of the Angle Head. **NEVER** grasp the composite tool body or handle in vise jaws. Such practice will result in damage to the tool and with electric models will cause the wire leads to malfunction creating an electric shock hazard.

NOTICE

The use of other than genuine Ingersoll-Rand replacement parts may result in decreased tool performance and increased maintenance, and may invalidate all warranties.

Ingersoll-Rand is not responsible for customer modification of tools for applications on which Ingersoll-Rand was not consulted.

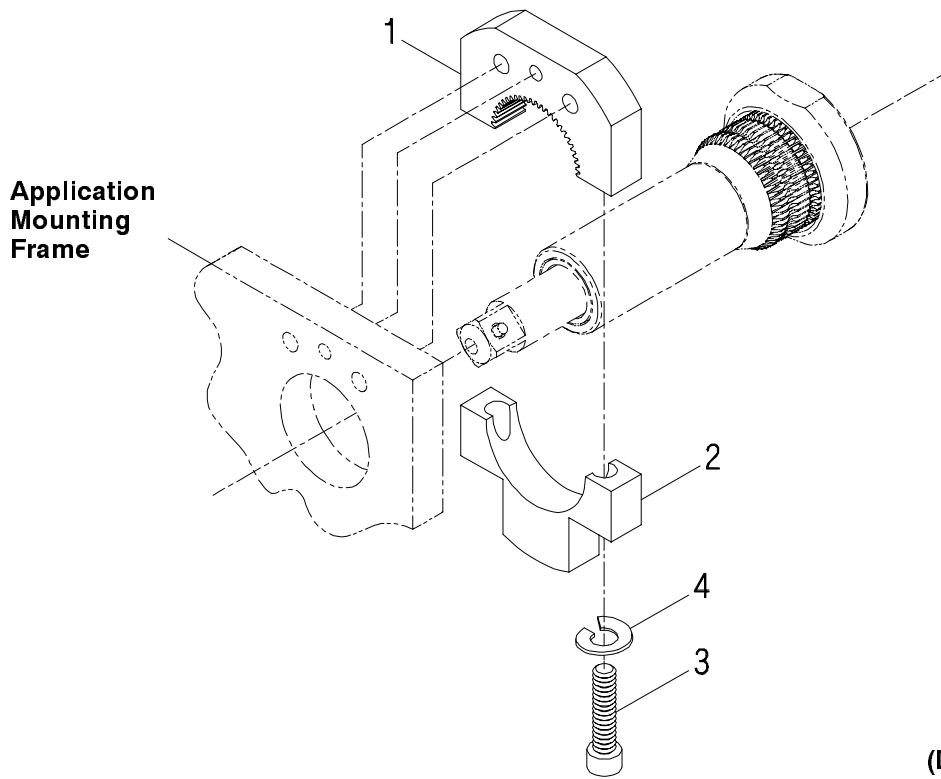
Repairs should be made only by authorized, trained personnel. Consult your Ingersoll-Rand Servicenter.

It is the responsibility of the employer to place the information in this manual into the hands of the person installing the Kit.

Refer All Communications to the Nearest
Ingersoll-Rand Office or Distributor.
© Ingersoll-Rand Company 1998
Printed in U.S.A.

INGERSOLL-RAND®
PROFESSIONAL TOOLS

DAM120-K48 MOUNTING FLANGE



**Shown with Straight Spindle.
Can be used with Angle Attachments.
Contact Ingersoll-Rand for specific applications.**

PART NUMBER FOR ORDERING

	Mounting Plate Kit	DAM120-K48
1	Top Mounting Plate	DAM120-48X
2	Bottom Mounting Plate	DAM120-48Y
3	Mounting Plate Bolt (2)	4E-354
4	Bolt Lock Washer (2)	4U-58

NOTICE

SAVE THESE INSTRUCTIONS. DO NOT DESTROY.