

IMPULSE WRENCH TOOLING KIT COMPONENTS**3000-K999 TOOL KIT**

for

ALL MODEL POWER PLUS TOOLS

The 3000-K999 Tool Kit consists of one (to eliminate duplication) of each unique tool in the following four Tool Kits and enables the user to repair any and all of the Impulse Tools covered by the following kits.

100PQ-99 TOOL KIT

for

MODELS 100PQ1 AND 100SQ1

TOOL NAME	TOOL PART NUMBER	MODEL USED WITH
Housing Cap Spanner Plug	100PQ-A-HCT	100PQ1; 100SQ1
Motor Clamp Spanner Plug	100PQ-F-LPL	100PQ1; 100SQ1
Tee Wrench	100PQ-T-TW	100PQ1; 100SQ1

180PQ-99 TOOL KIT

for

MODELS 180PQ1, 180SQ1, 280P, 280PQ1, 280SQ1, 380P, 380PQ1, 380SQ1 AND 500A

TOOL NAME	TOOL PART NUMBER	MODEL USED WITH
Housing Cap Spanner Plug	180PQ-A-HCT	180PQ1; 180SQ1; 280P; 280PQ1; 280SQ1; 380P; 380PQ1; 380SQ1; 500A
Disassembly Arbor	180PQ-B-HA	180PQ1; 180SQ1; 280P; 280PQ1; 280SQ1; 380P; 380PQ1; 380SQ1; 500A
Pressing Sleeve	180PQ-C-HA	180PQ1; 180SQ1; 280P; 280PQ1; 280SQ1; 380P; 380PQ1; 380SQ1; 500A
O-Ring Installer	180PQ-E-PSS	180PQ1; 180SQ1; 280P; 280PQ1; 280SQ1; 380P; 380PQ1; 380SQ1; 500A
Motor Clamp Spanner Plug	180PQ-F-LPL	180PQ1; 180SQ1; 280P; 280PQ1; 280SQ1; 380P; 380PQ1; 380SQ1
Motor Clamp Spanner Plug	500A-F-LPL	500A
Spindle Cap Spanner Plug	500A-G-BCL	500A
Tee Wrench	100PQ-T-TW	180PQ1; 180SQ1; 280P; 280PQ1; 280SQ1; 380P; 380PQ1; 380SQ1; 500A

Refer All Communications to the Nearest
Ingersoll-Rand Office or Distributor.

© Ingersoll-Rand Company 1997

Printed in U.S.A.

INGERSOLL-RAND®
PROFESSIONAL TOOLS

700A-99 TOOL KIT
for
MODELS EQ208P, EQ208P4, EQ208S, EQ208S4, EQ210P, EQ210P4, EQ210S, EQ210S4, EQ212P, EQ212P7, 500P, 500PQ1, 700A, 700P, 900P, 1100P AND 1410P

TOOL NAME	TOOL PART NUMBER	MODEL USED WITH
Housing Cap Spanner Plug	500PQ-A-HCT	EQ208P; EQ208P4; EQ208S; EQ208S4; EQ210P; EQ210P4; EQ210S; EQ210S4; 500P; 500PQ1; 700A; 700P
Housing Cap Spanner Plug	900P-A-HCT	EQ212P; EQ212P7; 900P; 1100P; 1410P
Disassembly Arbor	500PQ-B-HA	EQ208P; EQ208P4; EQ208S; EQ208S4; EQ210P; EQ210P4; EQ210S; EQ210S4; 500P; 500PQ1; 700A; 700P
Disassembly Arbor	900P-B-HA	EQ212P; EQ212P7; 900P; 1100P; 1410P
Pressing Sleeve	500PQ-C-HA	EQ208P; EQ208P4; EQ208S; EQ208S4; EQ210P; EQ210P4; EQ210S; EQ210S4; 500P; 500PQ1; 700A; 700P
Pressing Sleeve	900P-C-HA	EQ212P; EQ212P7; 900P; 1100P
Pressing Sleeve	1410P-C-HA	1410P
Accumulator Extractor	500PQ-D-AE	EQ208P; EQ208P4; EQ208S; EQ208S4; EQ210P; EQ210P4; EQ210S; EQ210S4; 500P; 500PQ1; 700A; 700P
Accumulator Extractor	900P-D-AE	EQ212P; EQ212P7; 900P; 1100P; 1410P
O-Ring Installer	500PQ-E-PSS	EQ208P; EQ208P4; EQ208S; EQ208S4; EQ210P; EQ210P4; EQ210S; EQ210S4; EQ212P; EQ212P7; 500P; 500PQ1; 700A; 700P; 900P; 1100P; 1410P
Motor Clamp Spanner Plug	500A-F-LPL	700A
Spindle Cap Spanner Plug	500A-G-BCL	700A

1900P-99 TOOL KIT
for
MODELS EQ230P, 1900P, 2400P AND 3000P

TOOL NAME	TOOL PART NUMBER	MODEL USED WITH
Housing Cap Spanner Plug	1900P-A-HCT	1900P; 2400P
Housing Cap Spanner Plug	3000P-A-HCT	EQ230P; 3000P
Disassembly Arbor	900P-B-HA	1900P; 2400P
Disassembly Arbor	3000P-B-HA	EQ230P; 3000P
Pressing Sleeve	1900P-C-HA	1900P; 2400P
Pressing Sleeve	3000P-C-HA	EQ230P; 3000P
Accumulator Extractor	900P-D-AE	EQ230P; 1900P; 2400P; 3000P
O-Ring Installer	1900P-E-PSS	EQ230P; 1900P; 2400P; 3000P

90P-199 TOOL KIT
for
MODELS 90P4, 90P4-EU, PG857A-D1

TOOL NAME	TOOL PART NUMBER	MODEL USED WITH
Housing Cap Spanner Plug	90P4-A-HCT	90P4, 90P4-EU, PG857A-D1
Disassembly Arbor	90P4-B-HA	90P4, 90P4-EU, PG857A-D1
Removing Jig for Liner Case	90P4-C-HA	90P4, 90P4-EU, PG857A-D1
Accumulator Extractor	500PQ-D-AE	90P4, 90P4-EU, PG857A-D1
O-Ring Installer	500PQ-E-PSS	90P4, 90P4-EU, PG857A-D1

70P3-199 TOOL KIT
for
MODELS 70P3, 70P3-EU, PG537A-B1

TOOL NAME	TOOL PART NUMBER	MODEL USED WITH
Housing Cap Spanner Plug	180PQ-A-HCT	70P3, 70P3-EU, PG537A-B1
Disassembly Arbor	180PQ-B-HA	70P3, 70P3-EU, PG537A-B1
Removing Jig for Liner Case	70P3-C-HA	70P3, 70P3-EU, PG537A-B1
O-Ring Installer	180PQ-E-PSS	70P3, 70P3-EU, PG537A-B1
Tee Wrench	100PQ-T-TW	70P3, 70P3-EU, PG537A-B1

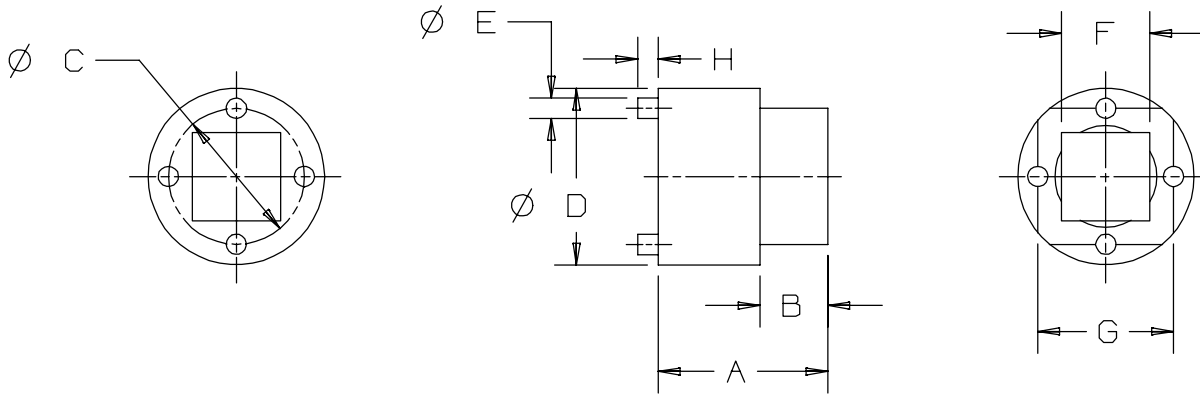
55P-199 TOOL KIT
for
MODELS 55P3, 55P3-EU, PG347A-B1, 55PQ1, 55PQ1-EU, PG247A-A5,
60P3, 60P3-EU PG397A-B1, 60PQ1, 60P3-EU, PG307A-A5, BP10P3,
BP10P3-EU, PBG147A-B1, BP10PQ1, BP10PQ1-EU, PBG147A-A5

TOOL NAME	TOOL PART NUMBER	MODEL USED WITH
Housing Cap Spanner Plug	180PQ-A-HCT	55P3, 55P3-EU, PG347A-B1, 55PQ1, 55PQ1-EU, PG247A-A5, 60P3, 60P3-EU PG397A-B1, 60PQ1, 60P3-EU, PG307A-A5, BP10P3, BP10P3-EU, PBG147A-B1, BP10PQ1, BP10PQ1-EU, PBG147A-A5
Disassembly Arbor	180PQ-B-HA	55P3, 55P3-EU, PG347A-B1, 55PQ1, 55PQ1-EU, PG247A-A5, 60P3, 60P3-EU PG397A-B1, 60PQ1, 60P3-EU, PG307A-A5, BP10P3, BP10P3-EU, PBG147A-B1, BP10PQ1, BP10PQ1-EU, PBG147A-A5
Removing Jig for Liner Case	180PQ-C-HA	55P3, 55P3-EU, PG347A-B1, 55PQ1, 55PQ1-EU, PG247A-A5, 60P3, 60P3-EU PG397A-B1, 60PQ1, 60P3-EU, PG307A-A5, BP10P3, BP10P3-EU, PBG147A-B1, BP10PQ1, BP10PQ1-EU, PBG147A-A5
O-Ring Installer	180PQ-E-PSS	55P3, 55P3-EU, PG347A-B1, 55PQ1, 55PQ1-EU, PG247A-A5, 60P3, 60P3-EU PG397A-B1, 60PQ1, 60P3-EU, PG307A-A5, BP10P3, BP10P3-EU, PBG147A-B1, BP10PQ1, BP10PQ1-EU, PBG147A-A5
Remove/Tightening Jig Lower Plate Spacer	55P3-F-LPL	55P3, 55P3-EU, PG347A-B1, 55PQ1, 55PQ1-EU, PG247A-A5, 60P3, 60P3-EU PG397A-B1, 60PQ1, 60P3-EU, PG307A-A5, BP10P3, BP10P3-EU, PBG147A-B1, BP10PQ1, BP10PQ1-EU, PBG147A-A5
Tee Wrench	100PQ-T-TW	55P3, 55P3-EU, PG347A-B1, 55PQ1, 55PQ1-EU, PG247A-A5, 60P3, 60P3-EU PG397A-B1, 60PQ1, 60P3-EU, PG307A-A5, BP10P3, BP10P3-EU, PBG147A-B1, BP10PQ1, BP10PQ1-EU, PBG147A-A5

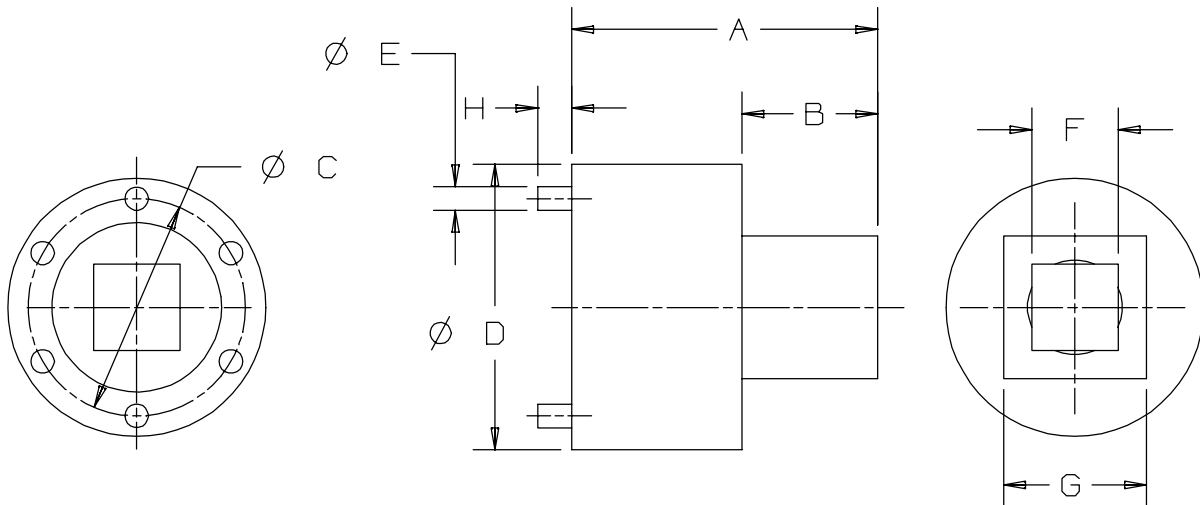
579-199 NEW TOOL KIT

TOOL NAME	TOOL PART NUMBER	MODEL USED WITH
Housing Cap Spanner Plug	90P4-A-HCT	90P4, 90P4-EU, PG857A-D1
Disassembly Arbor	90P4-B-HA	90P4, 90P4-EU, PG857A-D1
Removing Jig for Liner Case	90P4-C-HA	90P4, 90P4-EU, PG857A-D1
Removing Jig for Liner Case	70P3-C-HA	70P3, 70P3-EU, PG537A-B1
Remove/Tightening Jib Lower Plate Spacer	55P3-F-LPL	55P3, 55P3-EU, PG347A-B1, 55PQ1, 55PQ1-EU, PG247A-A5, 60P3, 60P3-EU, PG397A-B1, 60PQ1, 60P3-EU, PG307A-A5, BP10P3, BP10P3-EU, PBG147A-B1, BP10PQ1, BP10PQ1-EU, PBG147A-A5

HOUSING CAP SPANNER PLUGS FOR IMPULSE TOOLS



PART NUMBER	A	B	C	D	E	F	G	H
100PQ-A-HCT	25	10	20	26	3	12.7	20	3
180PQ-A-HCT	30	10	24	30	3.5	12.7	26	3

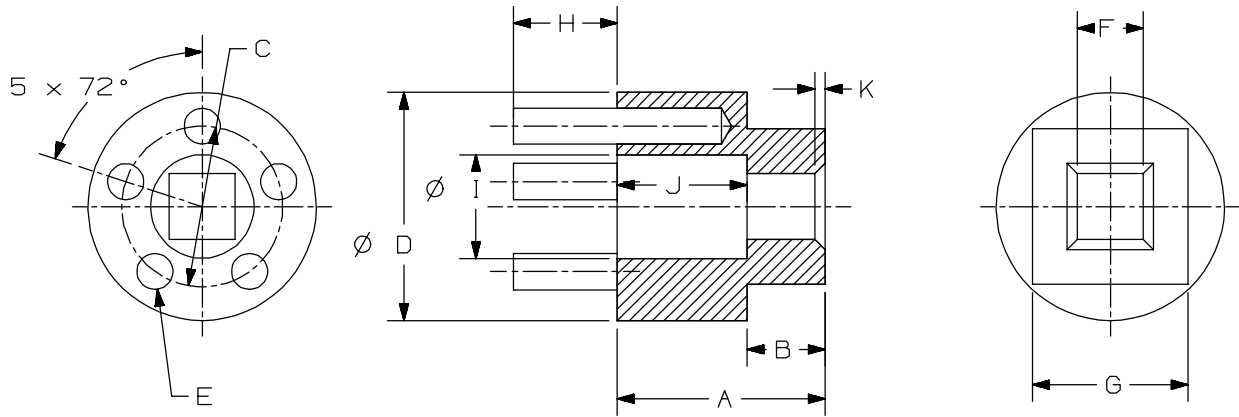


PART NUMBER	A	B	C	D	E	F	G	H
500PQ-A-HCT	45	15	32	38	3.5	12.7	24	5
900P-A-HCT	45	15	39	44.5	4	12.7	27	5
1900P-A-HCT	45	15	42	54	6	12.7	30	7
3000P-A-HCT	45	15	46	59.5	6	12.7	30	7
90P4-A-HCT	45	15	34	39.5	4	12.7	30	5

ALL DIMENSIONS ARE METRIC

(Dwg. TPD1438-2)

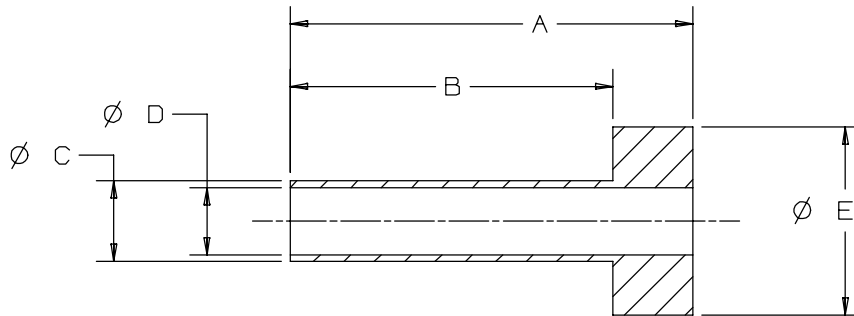
LOWER PLATE SPANNER PLUG FOR IMPULSE TOOLS



PART NUMBER	A	B	C	D	E	F	G	H	I	J	K
55P3-F-LPL	40	15	31	44	7	12.7	30	20	20	25	2

(Dwg. TPD1892)

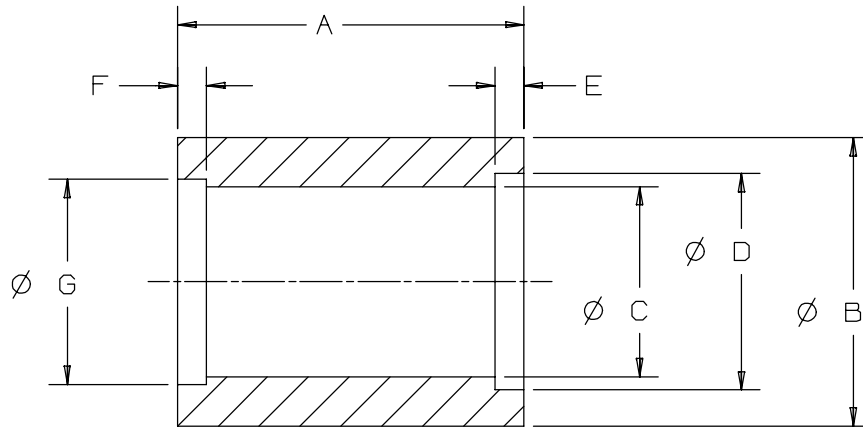
DISASSEMBLY ARBORS FOR IMPULSE TOOLS



PART NUMBER	A	B	C	D	E
180PQ-B-HA	75	60	15	12.5	35
500PQ-B-HA	75	60	25	14	35
900P-B-HA	85	70	30	19	40
3000P-B-HA	90	75	40	27	50
90P4-B-HA	85	70	30	17	40

(Dwg. TPD1439-2)

PRESSING SLEEVES FOR IMPULSE TOOLS

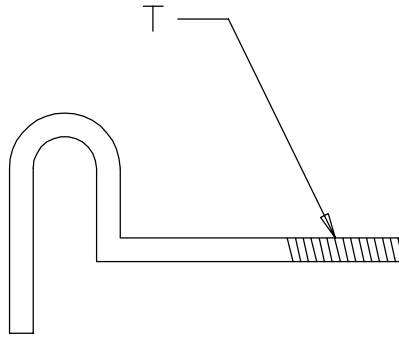


PART NUMBER	A	B	C	D	E	F	G
180PQ-C-HA	60	50	32.5	37.5	5	5	35.5
500PQ-C-HA	50	65	39.5	45.5	8	—	—
900P-C-HA	50	65	46	53.5	8	—	—
1410P-C-HA	50	70	50.5	59	8	—	—
1900P-C-HA	50	80	57	65.5	10	—	—
3000P-C-HA	50	90	64	73	12	—	—
70P3-C-HA	60	50	32.5	39.5	5	—	—
90P4-C-HA	50	65	43	50.5	8	—	—

ALL DIMENSIONS ARE METRIC

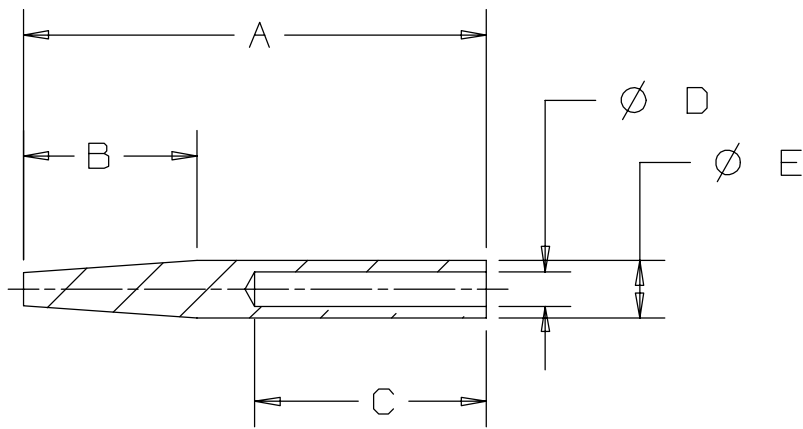
(Dwg. TPD1440-1)

ACCUMULATOR EXTRACTORS AND O-RING INSTALLERS FOR IMUPLSE TOOLS



ACCUMULATOR
EXTRACTOR

PART NUMBER	T
500PQ-D-AE	M2.5
900P-D-AE	M3



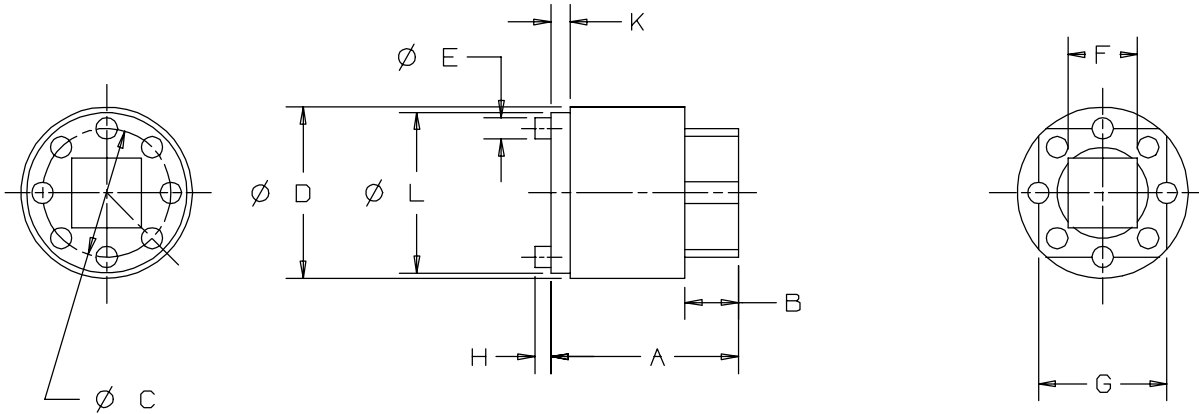
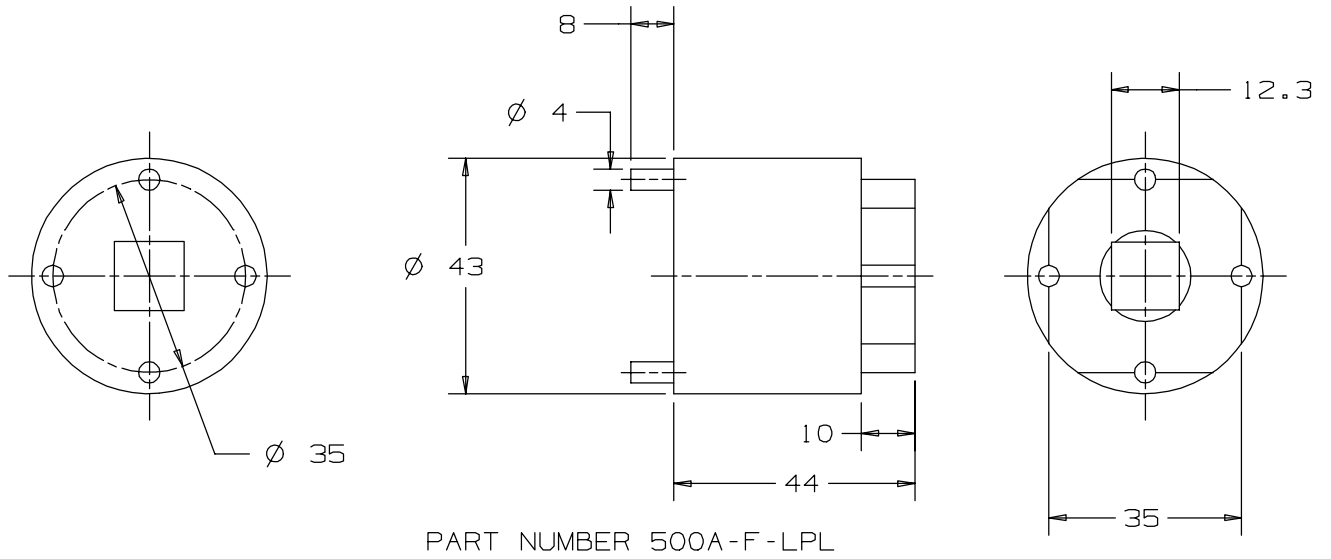
O-RING
INSTALLER

PART NUMBER	A	B	C	D	E
180PQ-E-PSS	30	15	10	2.5	4
500PQ-E-PSS	40	15	20	3	5
1900P-E-PSS	50	20	25	3.5	6.8

ALL DIMENSIONS ARE METRIC

(Dwg. TPD1441-1)

MOTOR CLAMP SPANNER PLUGS FOR IMPULSE TOOLS



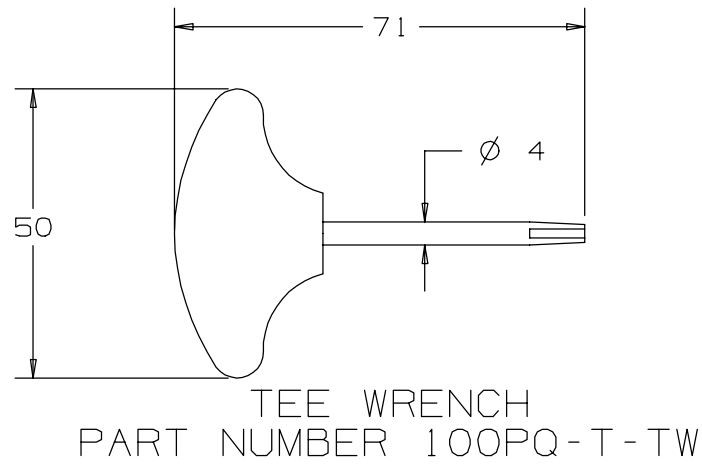
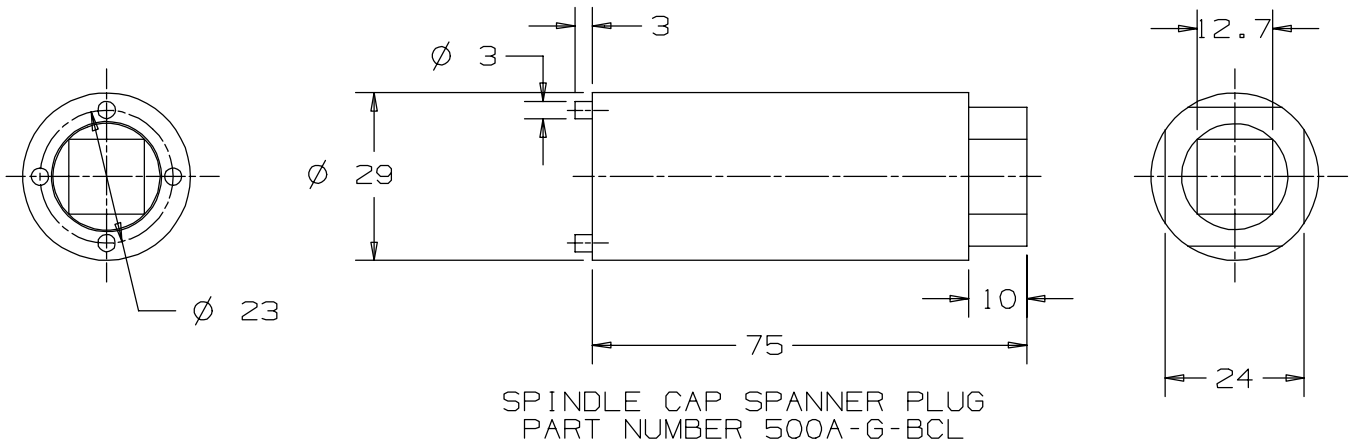
PART NUMBER	A	B	C	D	E	F	G	H	K	L
100PQ-F-LPL	35	10	24	32	4	12.7	24	2	3.5	30
180PQ-F-LPL	40	15	30	37	4	12.7	30	2	—	—

ALL DIMENSIONS ARE METRIC

(Dwg. TPD1442-2)

SPINDLE CAP SPANNER PLUG AND TEE WRENCH FOR IMPULSE TOOLS

ALL DIMENSIONS ARE METRIC



ALL DIMENSIONS ARE METRIC

(Dwg. TPD1443-1)