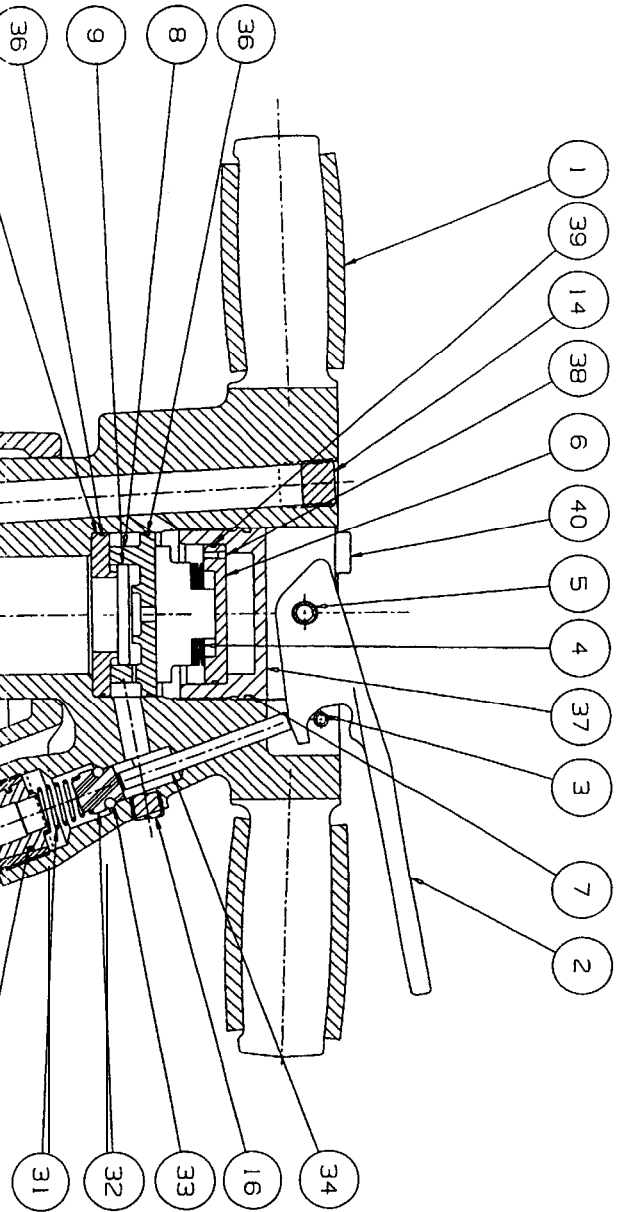
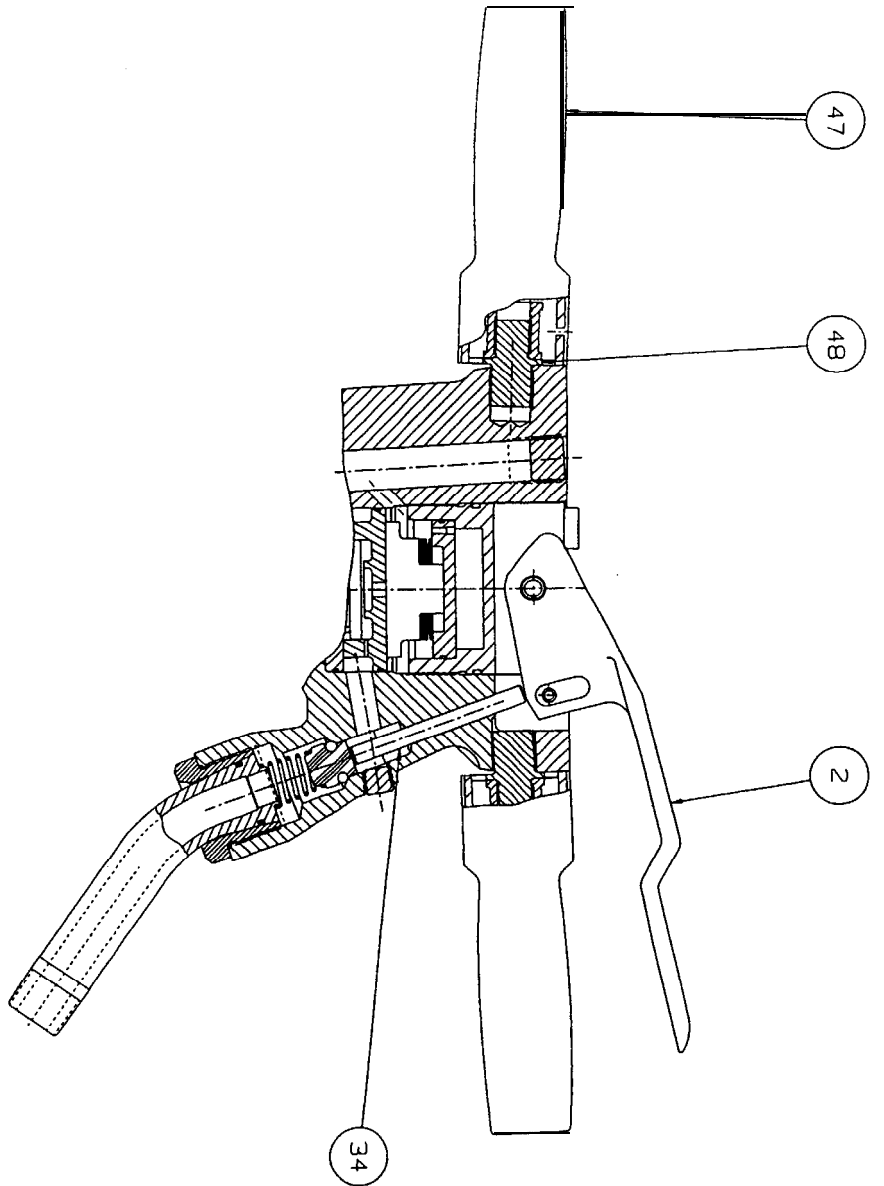


**Paving Breaker – Sectional Illustration**  
 (Refer to Page 4 for parts legend)



\*Jow!Jqnl au!1 e 6ysn palegJqnl

S! 11 3nld jllj Jai!0 Ue a!ey IOu SaOp Sa!JaS SC&j

'bJ0 =!JaS 058d - ++ |

(WNOIldO) at-us 310~~~ '8t7  
 (1VNOIldO) 3ICINVH X313 'LP  
 3~1s 1~31 'u314nw \*9p  
 3ais IHE)Itl '~3l=J~fw '53tr  
 (NOISki3A tl3ljTW) M3t13S 'PP  
 (NOISSt3A kEIl&inW) M3kKIS 'EP  
 (NOISStj3A tt314nw) 1nN 'ZP  
 (Noistl3~ u3ljxW tJ3HStl~ \*iv  
 1114 kl3110 'wild 'OP,, I  
 E)NIkl-O '6E  
 kl311lzi '8E  
 E)nld ~NISI-IOH 'L6  
 F)NIkl-o '9E  
 kl3HSVM 'GE  
 Nld 3II-LOklHI 'PC  
 9NIkl-0 'EI  
 3AIVA '2s  
 DNItldS '16  
 E)NIkl-o 'OE  
 dV3 NOI133NN03 t(IV '6Z  
 DNItl-0 '82  
 NOI133NN03 klIV 'LZ  
 Nld 1IOtJ '91  
 Nld 1IOkl '!GZ

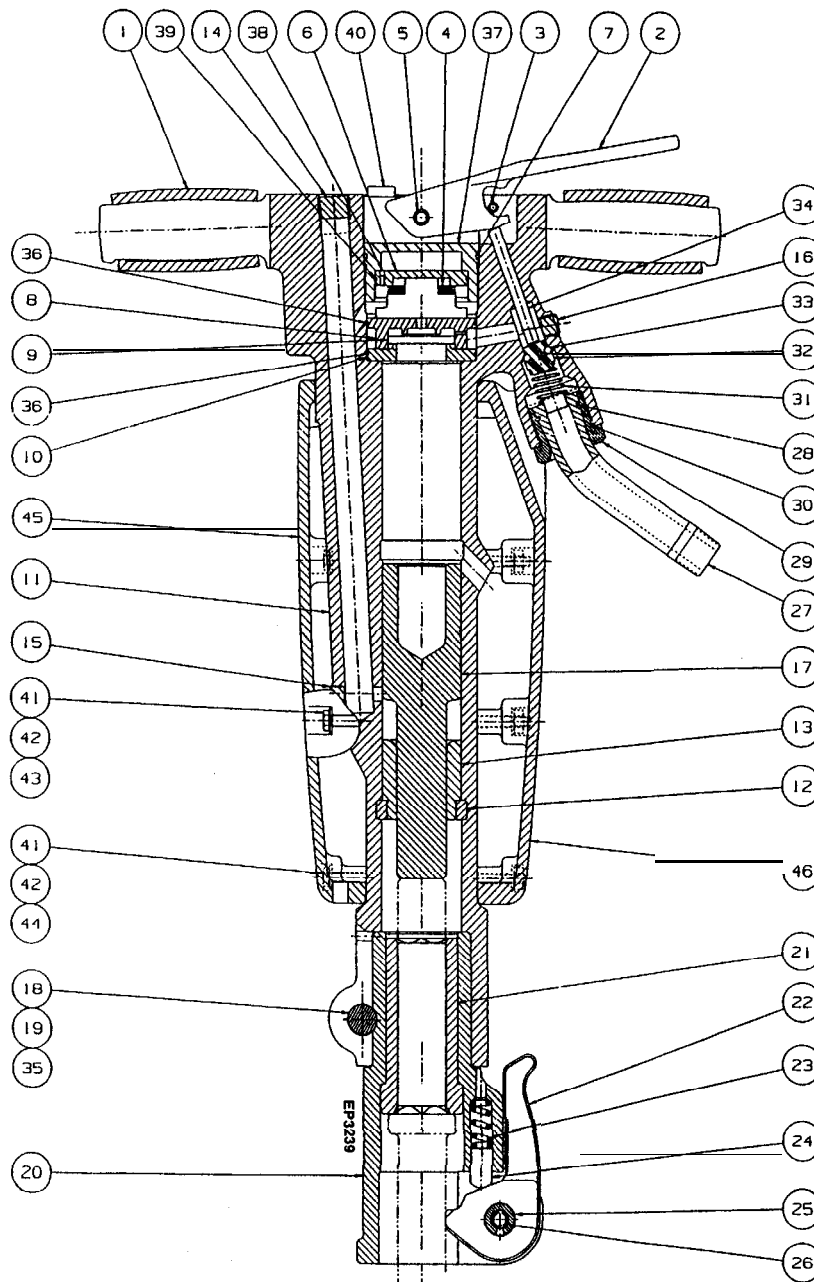
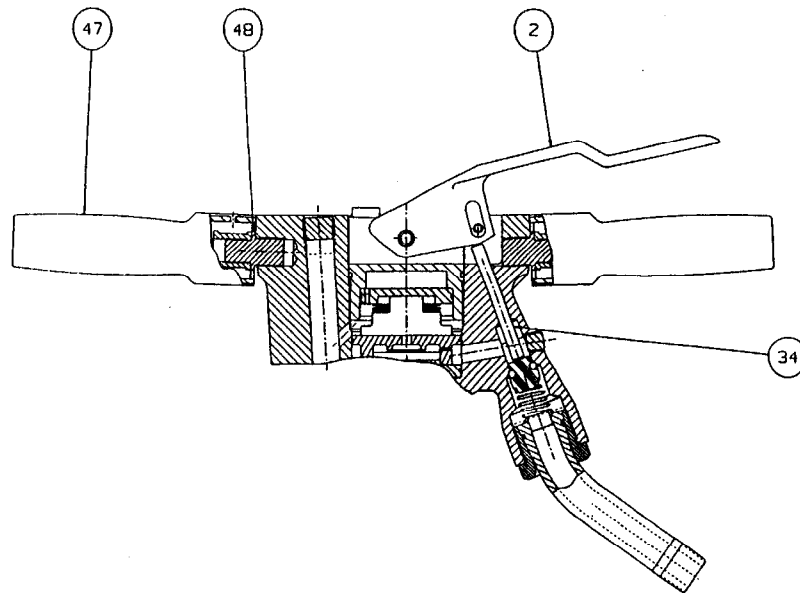
kJ3E)Nnld kl3A31 'NIVI3tll331S 'PZ  
 EINItfdS 'CZ  
 t13A31 gNINIVI3ki 1331s 'ZZ  
 EINIHSIla CiV3HINOW '12  
 CIV3HINOkU '02  
 1nN '61  
 1108 '81  
 NOISld 'LC  
 Dnld 3dld '91  
 E)nld 3dld 'Gil  
 %lld 3dld 'Pl  
 E)NIHSna DNINIVI3ki 'E 1  
 IV3S NOISld 'ZI  
 9NISnOH kl3W3kJa 'LI  
 kl3AO3 3AIVA '0 1  
 3AIVA '6  
 IS3H3 3AIVA '8  
 ~NIkl-0 'L  
 3IVld tf3IIO '9  
 Nld 1IOkl '9  
 kl3HSVM 'P  
 Nld 1IOU 'C  
 kl3A313IIIOtIHI 'Z  
 3A33IS 3laNVH '1

(UO!V2JWIII JOI S d%?d 01 JaJau)

UO!leJ\$Snll leUO!~CK3S JayeaJa 6U!Aed JOJ fM.d31

(6UOI UJUJZ~I X -X+/ IUW\$3~)  
 6uol 'U! 9 X -xaH 'U! 8/I-I SV/V0Sad  
 (6~01 UUUJ80~ x -xaH UUUJ~Z)  
 6~01 'u! ~/L-P x .=H 'u! L Sv/w~ad  
 :az!s yueys JayeaJa 6u!Aed plepuets |

U!W\$J 9'1 U!"J/& 8S SV/V028d  
 u!wp P' 1 'J! WgU 6t7 SV/V!x8d  
 :(Jeq z-g) !sd 06 @ uo!\$dumsuo3 NV -1  
 UUUJ 61 'U! v/E: vPwl IIV  
 :pC3pUNIIUO~~~ aSOH J!v at!S 'y



Paving Breaker— Sectional Illustration  
(Refer to Page 4 for parts legend)

