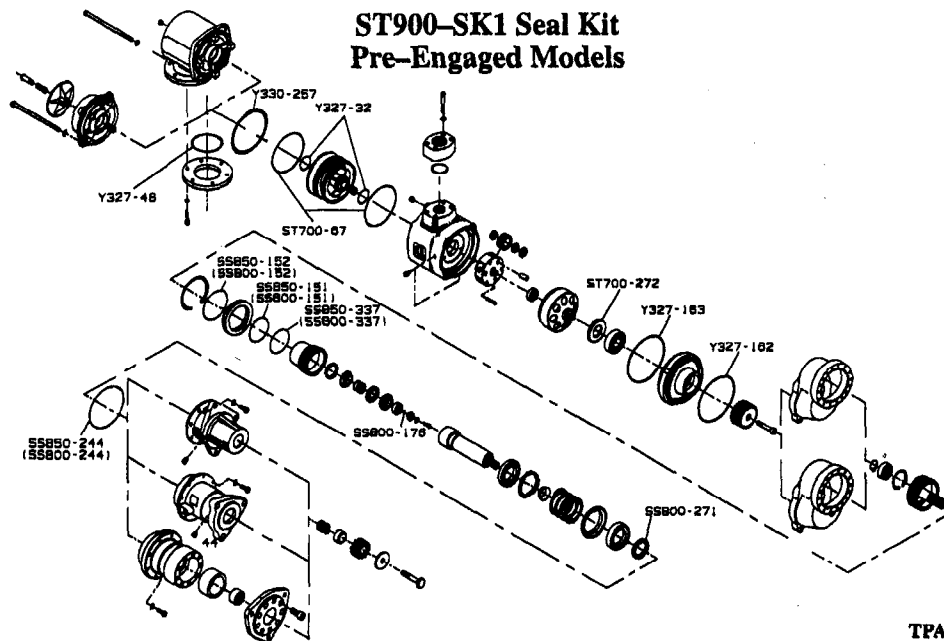


Genuine

Ingersoll-Rand Replacement Parts



TPA1535-1

This **GENUINE** Ingersoll-Rand Seal Kit contains the following parts:

PART NUMBER	PART NAME (Description)	QUANTITY
SS800-151	O-Ring	1
SS800-152	O-Ring	1
SS800-176	O-Ring	1
SS800-244	O-Ring	1
SS800-271	Seal	1
SS800-337	O-Ring	1
Y330-257	O-Ring	1
SS850-151	O-Ring	1
SS850-152	O-Ring	1
SS850-244	O-Ring	1
SS850-337	O-Ring	1
ST700-272	Seal	1
ST700-67	Seal	2
Y327-162	O-Ring	1
Y327-163	O-Ring	1
Y327-32	O-Ring	2
Y327-46	O-Ring	1

For further information refer to the following form:

Starter Model	ST900
Installation and Maintenance Manual	P7156

© Ingersoll-Rand Company 2000
Printed in U.S.A.

INGERSOLL-RAND
PRODUCTION EQUIPMENT

Form SK7156
Edition 2
03541638
January 2000