

SERIES 150BMP AIR STARTERS WITH OVERHUNG PINION for Worldwide Engine Applications

FOR TOP PERFORMANCE AND MAXIMUM DURABILITY OF PARTS. DO NOT OPERATE THIS STARTER OVER 150 psig (10.3 bar/1034 kPa) AIR PRESSURE. USE A MINIMUM 1-1/4" (32 mm) AIR SUPPLY HOSE.

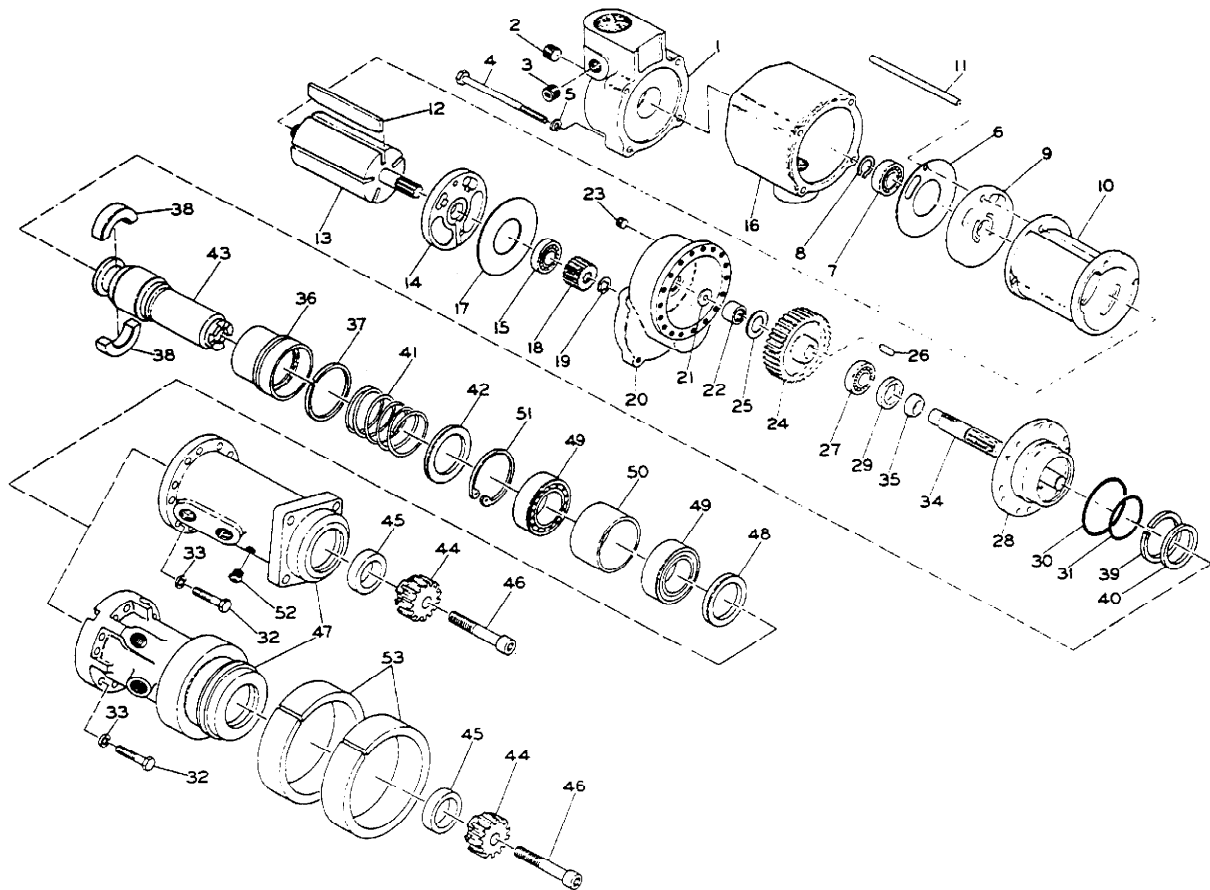
LUBRICATION

For temperatures below 32° F (0° C), use a good quality nondetergent SAE 10 motor oil.

For temperatures below 32° F (0° C), use diesel fuel.

We recommend the use of an Ingersoll-Rand HDL1 Lubricator. This unit has a 3/8"-18 NPT male thread air inlet and a 1/8"-27 NPTF female thread oil inlet. The HDL1 Lubricator is self-priming and may be installed directly into the air starter housing or remotely located.

For additional repair service information, request Service Bulletin Form S6525.



Dwg. TPA780

Refer All Communications to the Nearest
Ingersoll-Rand Office or Distributor.

© Ingersoll-Rand Company 1979

Printed in U.S.A.

 **Ingersoll-Rand.**

**P
A
R
T
S

B
U
L
L
E
T
I
N**

PART NUMBER FOR ORDERING

PART NUMBER FOR ORDERING

1	Motor Housing Cover Assembly	150BMP-A102A	36	Piston Assembly	101BMP-703-1
2	Housing Cover End Plug	GA57-95	37	Piston Ring	101BMP-704-1
3	Lubricator Port Plug (2)	GA57-95	38	Shift Ring (consists of two halves)	101BMP-705-1
4	Motor Housing Cover Cap Screw (4)	107-25	39	Shift Ring Retainer	10BMP-606
5	Cover Cap Screw Lock Washer (4)	SGC-504	40	Shift Ring Spacer	10BMP-602
6	Motor Housing Cover Gasket	10BM-283	41	Piston Return Spring	101BMP-700-1
7	Rear Rotor Bearing	R3H-24	42	Return Spring Seat	101BMP-701-1
8	Rear Rotor Bearing Retainer	G57-729	43	Starter Drive	150BMP-299-7R
9	Rear End Plate	10BM-12	44	Drive Pinion	
10	Cylinder	150BM-3		for Models 150BMPAC01R85,	
11	Cylinder Dowel	10BM-98		150BMPAB01R85, 150BMPAB03R85	
12	Vane Packet (set of 5 Vanes)	10BM-42-5		and 150BMPAC03R85	150BMP-13-85
13	Rotor	10BMP-53		for Models 150BMPAB01R77,	
14	Front End Plate	10BM-11		150BMPAB03R77, 150BMPAC03R77	
15	Front Rotor Bearing	10BM-24		and 150BMPAC07R83	150BMP-13-77
16	Motor Housing	10BM-40		for Models 150BMPAC03R83,	
17	Gear Case Gasket	10BM-284		150BMPAC07R83, 150BMPAC08R83	
18	Rotor Pinion			and 150BMPAC17R83	150BMP-13-83
	for "B" Models (18 teeth)	10BMB-17	45	Drive Pinion Collar	150BMP-297
	for "C" Models (16 teeth)	101BMPD-17	46	Drive Pinion Retaining Screw	150BMP-394
19	Rotor Pinion Retainer	10BM-69	47	Drive Housing Assembly	
20	Gear Case Assembly	10BM-37		for Models 150BMPAC01R85,	
21	Bearing Ejecting Washer	10BM-25		150BMPAB01R77 and	
22	Drive Shaft Rear Bearing	10BM-399		150BMPAB01R85	150BMP-300-01
23	Lubrication Port Plug	R2-227		for Models 150BMPAB03R77,	
24	Drive Gear			150BMPAB03R85, 150BMPAC03R77,	
	for "B" Models (41 teeth)	10BMB-9A		150BMPAC03R85 and	
	for "C" Models (43 teeth)	10BMC-9		150BMPAC03R83	150BMP-300-03
25	Drive Gear Thrust Washer	10BM-15		for Models 150BMPAB07R77 and	
26	Drive Gear Key	10BM-610		150BMPAC07R83	150BMP-300-07
27	Drive Shaft Front Bearing	T02-33		for Model 150BMPAC08R83	150BMP-300-08
28	Gear Case Cover Assembly	10BMP-378-1		for Model 150BMPAC17R83	150BMP-300-17
29	Drive Shaft Grease Seal	10BM-271	48	Drive Housing Seal	150BMP-270
30	Gear Case Cover Seal	10BMP-607	49	Drive Housing Bearing (2)	150BMP-363-40
31	Piston Seal	10BMP-604	50	Drive Housing Bearing Spacer	150BMP-364
32	Drive Housing Cap Screw (12)		51	Drive Housing Bearing Retainer	150BMP-365
	for Models 150BMPAC01R85,		52	Vent Plug	P250-546
	150BMPAB01R77, 150BMPAB01R85,		53	Cradle Mounting Adapter (2) (for Model	
	150BMPAB03R77, 150BMPAB03R85,			150BMPAC08R83)	150BMP-303-3
	150BMPAC03R77, 150BMPAC03R85		54	Nameplate	150BM-301
	and 150BMPAC03R83	10BM-744	55	Nameplate Screw (3)	R4K-302
	for Models 150BMPAB07R77,		*	Road Splash Deflector Assembly	150BM-A735
	150BMPAC07R83, 150BMPAC08R83		*	Muffler Assembly	150BM-A674
	and 150BMPAC17R83	R22H-68	*	Lubricator	HDL1
33	Drive Housing Cap Screw Lock Washer (12)	10BM-67	*	Relay Valve	SRV125
34	Drive Shaft	150BMP-8-8	*	Needle Bearing Inserting Tool	46859
35	Drive Shaft Collar	10BM-30			

* Not illustrated.