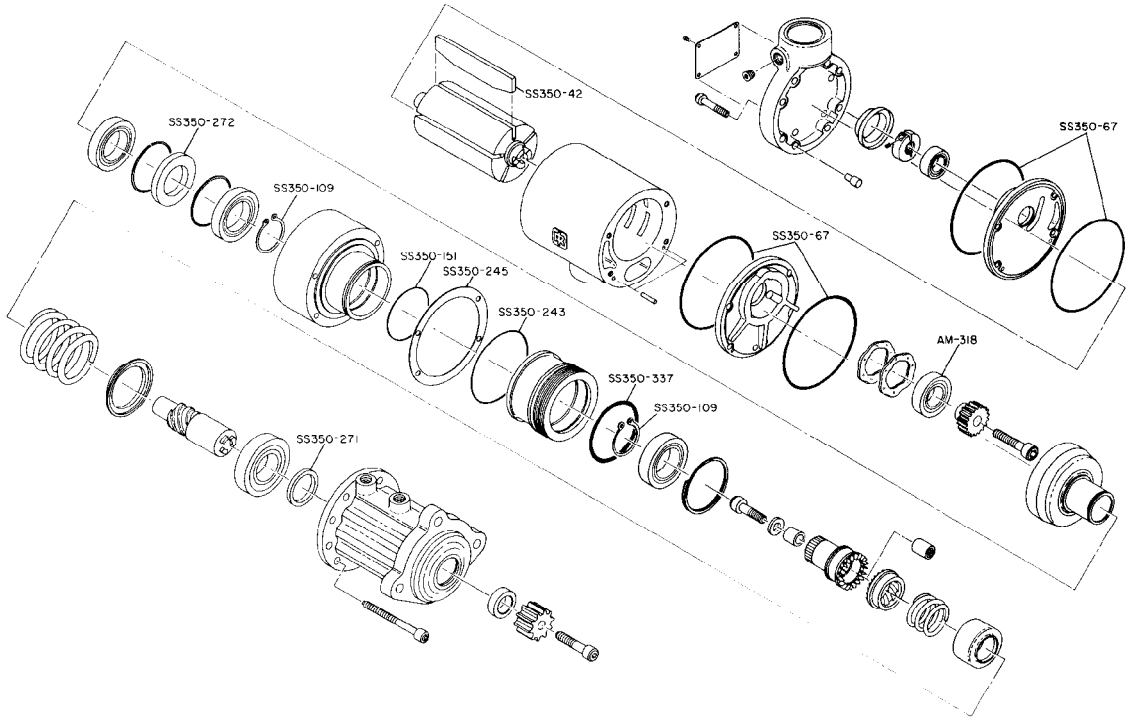


Genuine

Ingersoll-Rand Replacement Parts

SS350-TK2 TUNE-UP KIT



(Dwg. TPA984-2)

This GENUINE Ingersoll-Rand Tune-up Kit contains the following parts:

| PART NUMBER | PART NAME (Description) | QUANTITY |
|-------------|-----------------------------------|----------|
| SS350-67 | End Plate 0-ring (120 mm O.D.) | 4 |
| SS350-42 | Vane | 5 |
| SS350-151 | Gear Case 0-ring (65 mm O.D.) | 1 |
| SS350-272 | Gear Case Seal (metal) | 1 |
| SS350-337 | Piston 0-ring (75 mm O.D.) | 1 |
| SS350-271 | Drive Housing Seal (metal 40 mm) | 1 |
| SS350-243 | Drive Housing 0-ring (85 mm O.D.) | 1 |
| SS350-245 | Drive Housing Gasket | 1 |
| SS350-109 | Retaining Ring | 2 |
| AM318 | Front Rotor Bearing | 1 |

For further information refer to the following form:

| | |
|-------------------------------------|-------|
| Starter Model | SS350 |
| Installation and Maintenance Manual | P6633 |