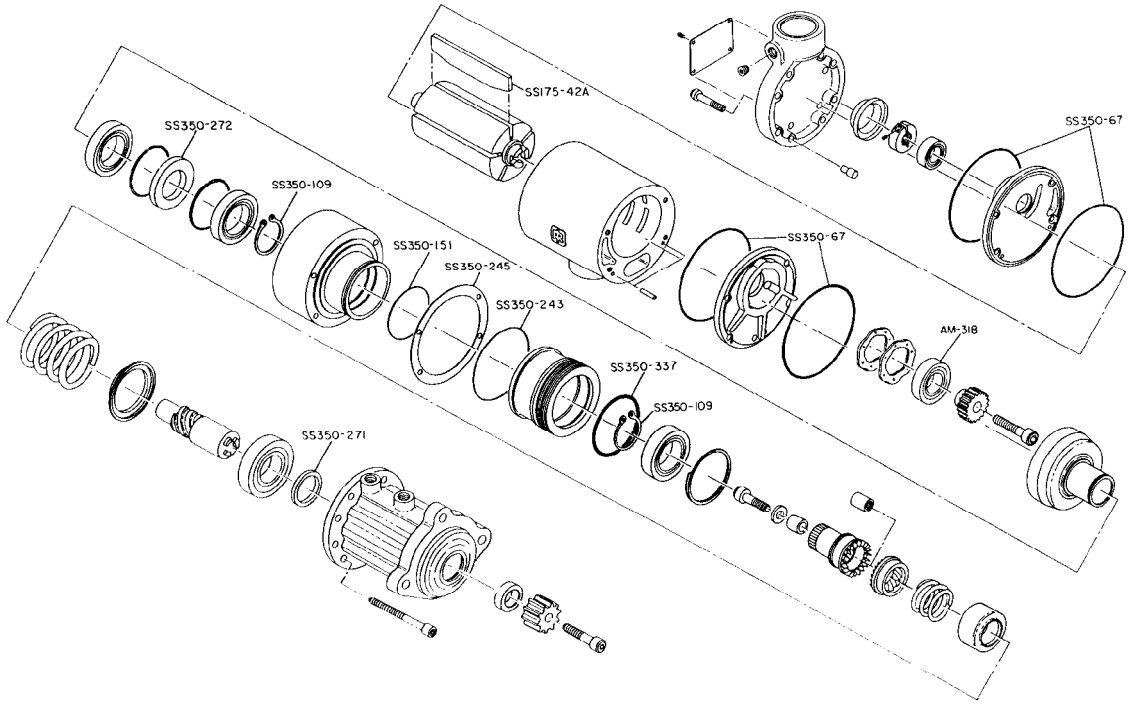


Genuine

Ingersoll-Rand Replacement Parts

SS175-TK2 TUNE-UP KIT



(Dwg. TPA983-3)

This GENUINE Ingersoll-Rand Tune-up Kit contains the following parts:

PART NUMBER	PART NAME (Description)	QUANTITY
SS350-67	End Plate O-ring (120 mm O.D.)	4
SS175-42A	Vane	5
SS350-151	Gear Case O-ring (65 mm O.D.)	1
SS350-272	Gear Case Seal (metal)	1
SS350-337	Piston O-ring (75 mm O.D.)	1
SS350-271	Drive Housing Seal (metal 40 mm)	1
SS350-243	Drive Housing O-ring (85 mm O.D.)	1
SS350-245	Drive Housing Gasket	1
SS350-109	Retaining Ring	2
AM318	Front Rotor Bearing	1

For further information refer to the following form:

Starter Model	SS175
Installation and Maintenance Manual	P6633

INGERSOLL-RAND®
ENGINE STARTING SYSTEMS

© Ingersoll-Rand Company 1993
Printed in U.S.A.

Form K6633
Edition 5
03536893
June, 1993