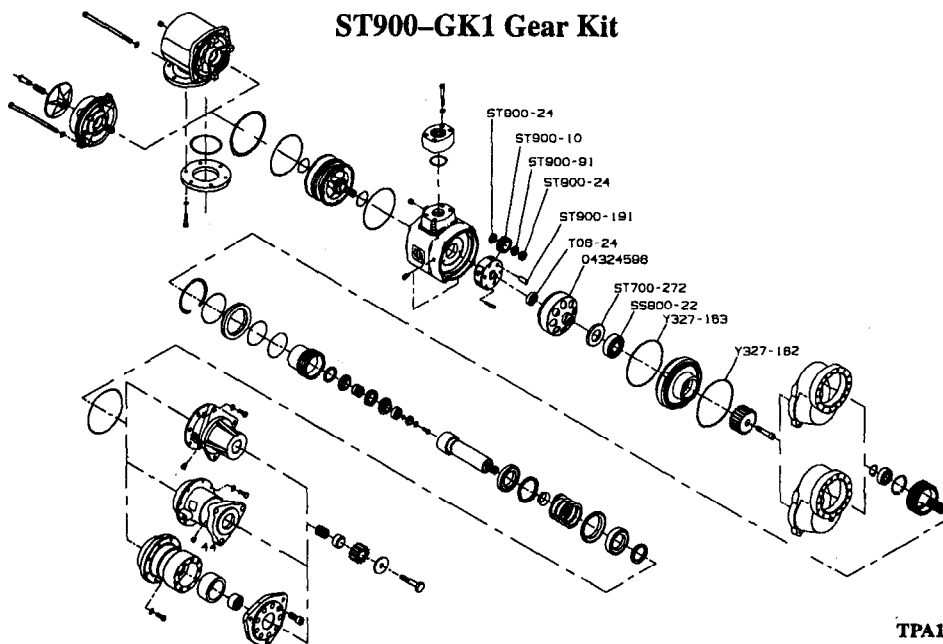


Genuine

Ingersoll-Rand Replacement Parts



TPA1536-1

This **GENUINE** Ingersoll-Rand Gear Kit contains the following parts:

PART NUMBER	PART NAME (Description)	QUANTITY
SS800-22	Bearing	1
ST700-272	Seal	1
ST900-10	Gear	3
ST900-191	Shaft	3
ST900-24	Bearing	6
ST900-91	Spacer	3
04324596	Ring Gear	1
T06-24	Bearing	1
Y327-162	O-Ring	1
Y327-163	O-Ring	1

For further information refer to the following form:

Starter Model	ST900
Installation and Maintenance Manual	P7156

© Ingersoll-Rand Company 2000
Printed in U.S.A.

INGERSOLL-RAND
PRODUCTION EQUIPMENT

Form GK7156
Edition 1
03541646
January 2000