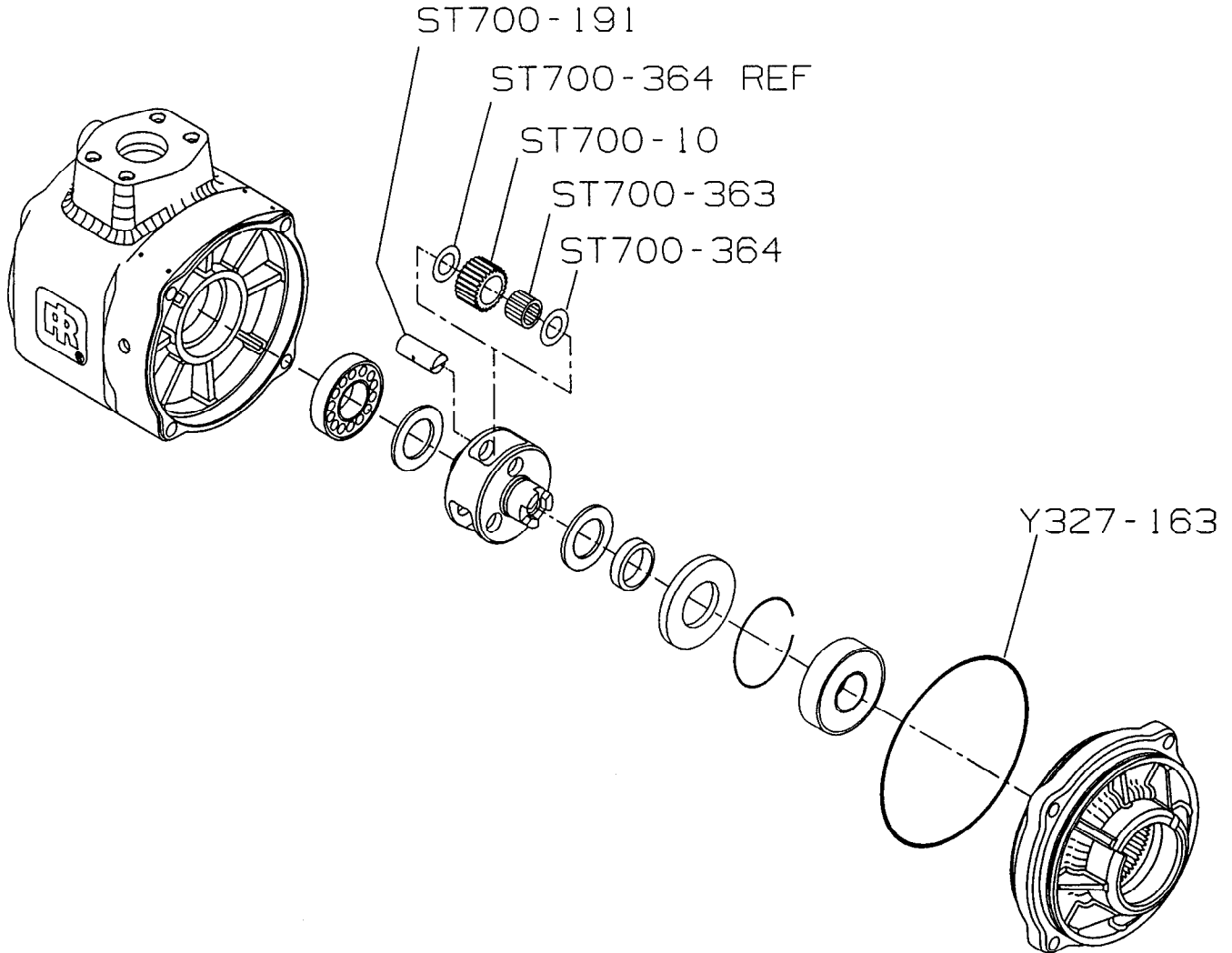


**Genuine**

# Ingersoll-Rand Replacement Parts

## ST700-K10 GEAR KIT



(Dwg. TPA1552)

This **GENUINE** Ingersoll-Rand Tune-up Kit contains the following parts:

PART NUMBER	PART NAME (Description)	QUANTITY
ST700-10	Gear	3
ST700-191	Shaft	3
ST700-363	Needle Bearing Set (18 Needle Bearings per Set)	3
ST700-364	Spacer	6
Y327-163	O-ring	1

For further information refer to the following form:

Starter Model	ST700
Installation and Maintenance Manual	P6921