

T48 Series Engine Barring/Turning Motors

T48 Advantages



Single Hand T48 Barring Motor Operation

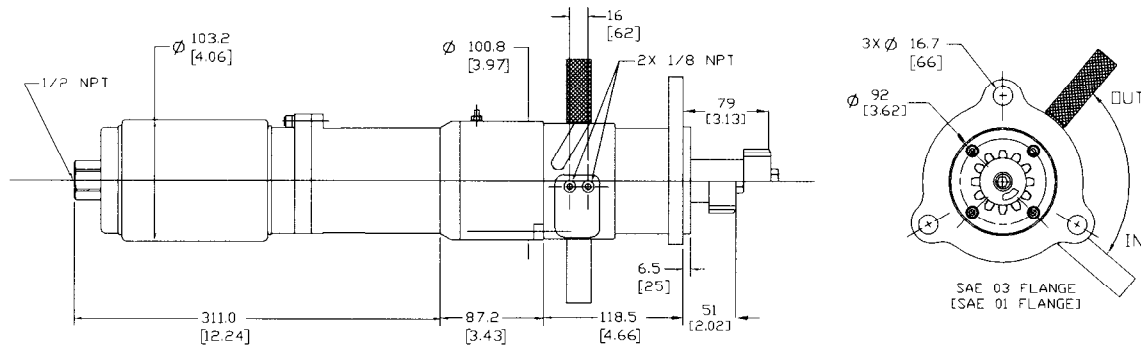
- *Safe engine adjustments*
- *Precise motion control*
- *One person operation*
- *Rugged dependability*
- *Lightweight and portable*

Powered by Ingersoll-Rand's highly reliable 4800 series air motors, T48 series Barring Motors provide today's technicians with the power and control needed to easily and safely service their engines.

- *Safe barring of large diesel and natural gas engines from 4 - 400 liters (250 - 25,500 CID)*
- *Applications include: timing adjustments, valve adjustments, coupling alignment, and other routine and unscheduled maintenance.*
- *Compressed air operation is well suited for field applications and hazardous environments.*

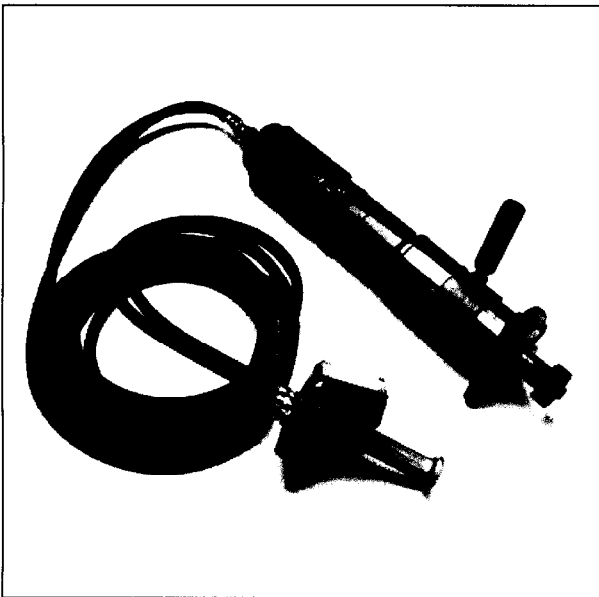


T48PVR100-03 Outline Dimensions



Performance Characteristics @ 90 psi

Model	Maximum Power	Speed at Max Power	Free Speed	Breakaway Torque	Stall Torque	Consumption (SCFM)
T48PVR100-03-31	3.3	33	66	811	1032	125



Accessories

Part Number	Description
PT-15K	Pendant and 30' Hose Kit
HP-15K	30' Hose and Valve Kit

Upgrade your system the right way
 Ingersoll-Rands new line of Engine Barring Motors represent yet another product designed to help our customers simultaneously increase the productivity and safety of their operations. If you want to step up to the next level in engine starting system accessories, contact your nearest Ingersoll-Rand distributor for more information.

Visit Our Website at www.airstarters.com

Ingersoll-Rand Company
 1725 U.S.#1 North
 Southern Pines, NC 28388
 (910) 692-8700
 (910) 692-8013 fax

Ingersoll-Rand Company
 Latin America Operations
 Production Equipment Group
 730 N.W. 107 Ave., Suite 300
 Miami, FL 33172-3107
 (305) 559-0500
 (305) 559-7505 fax

Ingersoll Rand Wadco Tools Limited
 37A Site IV
 Sahibabad Industrial Area
 Dist. Ghaziabad 201010 (UP)
 India
 (0575) 771001/771002/771003/771004
 (0575) 771005 fax

Ingersoll-Rand Japan, Ltd.
 Shin-Yokohama Square Bldg.
 5th Floor, 2-3-12 Shin-Yokohama
 Kouhoku-ku, Yokohama-shi
 Kanagawa Pref. 222, Japan
 81 45 476 7801/7817
 81 45 476 7806 fax

Ingersoll-Rand Australia, Ltd.
 1 Hartnett Drive
 Seaford VIC 3198 Australia
 Mail: Private Mail Bag 2
 Carrum Downs Business Centre.
 Vic. 3201, Australia
 (03) 9554 1600
 (03) 9554 1607 fax

Compagnie Ingersoll-Rand
 5-7, Avenue Albert. Einstein
 B.P. 113
 78192 Trappes Cedex
 France
 0 (1) 30 50 61 10
 0 (1) 30 50 02 18 fax