

**THE REAL WAY
TO GET OPTIMUM
PERFORMANCE
FROM YOUR
STARTING SYSTEM**

INGERSOLL-RAND®

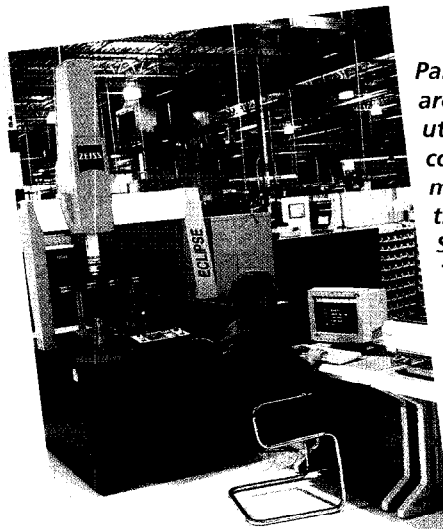


RIGHT FROM THE START.

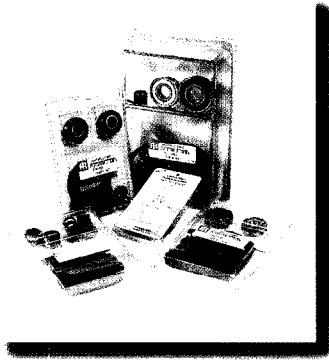
Ingersoll-Rand Engine Starting Systems are designed, built and tested to provide optimum performance, right from the start...and throughout the longer life that they deliver. The key to gaining the full value of your investment is to demand **I-R Genuine Parts** whenever service or maintenance is required. And...when it's time to replace a starter, consider the advantages of Ingersoll-Rand genuine remanufactured starters.

Ingersoll-Rand genuine parts represent a real difference, and several factors underscore their real value:

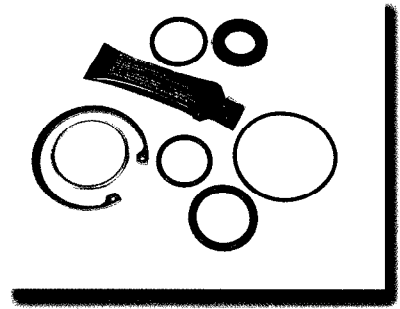
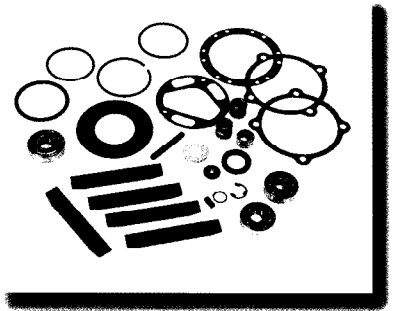
- **Design:** Appearances can be deceiving. Despite outward similarities, **only** I-R designs parts and components to specifically meet the performance requirements of I-R starters.
- **Materials:** Individual I-R parts are subjected to the same advanced testing processes as the completed product – producing performance standards that can only be achieved with the right materials for each part that ensures optimum performance.
- **Support:** I-R backs the quality of I-R genuine parts with its own warranty and distributor service network, so you have **single source responsibility** on parts and service.
- **The Cost Of Quality:**
The long term savings that result from **maintaining product integrity** through the use of **I-R Genuine Parts** far outweighs any short term savings on alternatives.



Parts and components are thoroughly tested utilizing the latest coordinate measurement technology at the IR facility in Southern Pines, NC – The ISO9001–certified production site for engine starting systems and other products.



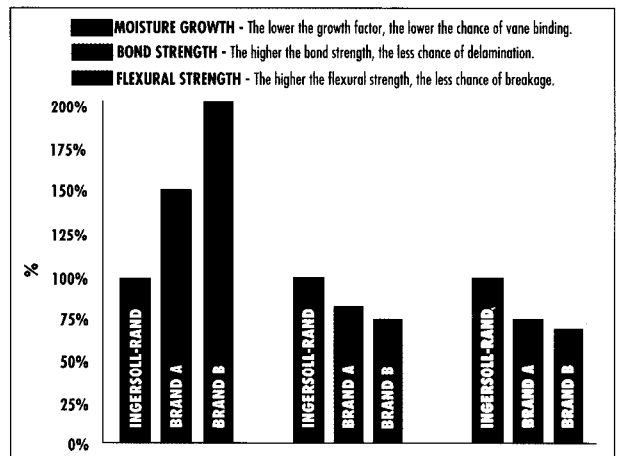
Ingersoll-Rand tune-up kits and replacement parts - including strainers, lubricants, and sealers - make it easy to maintain product integrity and optimum performance.



THE REAL DIFFERENCE

Air motor vanes must maintain their integrity and perform in all types of operating conditions. Despite their uncomplicated appearance, they are the keys to reliable starting in non-turbine applications. The proprietary materials used in Ingersoll-Rand vanes deliver real performance advantages, validated in extensive endurance testing:

This real-world evaluation illustrates the differences that apply to other components as well - not always readily apparent, but critical to your investment!



REBUILT VS. REMANUFACTURED

When it's time for major service or starter replacement, consider your options carefully. A rebuilt starter is **not** the same as a remanufactured starter!

Authorized IR distributors are qualified to **rebuild** IR air starters. This involves inspection and replacement of key wear parts – but you must demand IR genuine parts! For starters used in gas applications, specify that the unit be tested for leaks on IR-approved gas-sealed test equipment.

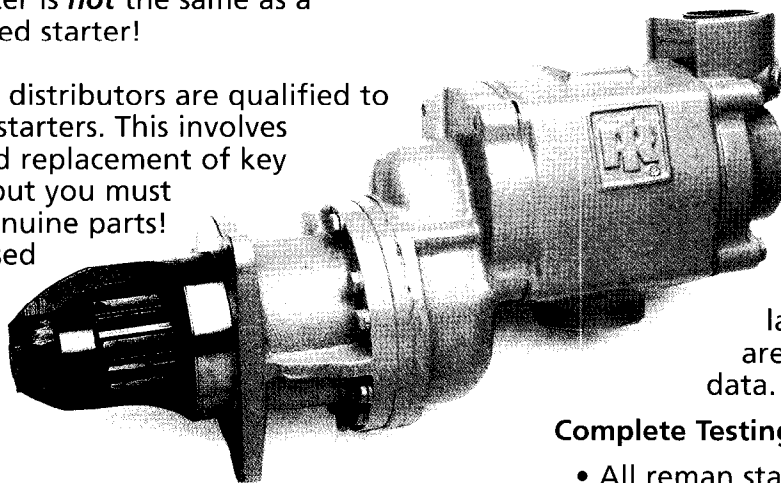
If the starter condition suggests potential replacement, an IR genuine remanufactured starter will provide nearly-new performance at **half** the cost of a new starter. Why?

Process

- The remanufacturing process involves more than just parts replacement. It requires a total product evaluation, which is performed right alongside **new** starter production at the IR production facility.

Availability

- IR has a steady incoming supply of "trade-in" starters, providing the bank of starter cores that form the basis of reman units. We can therefore maintain excellent availability and meet your specification requirements.



Certified As Gas-Sealed

- All starters remanufactured for gas applications are gas-sealed with certified test equipment.

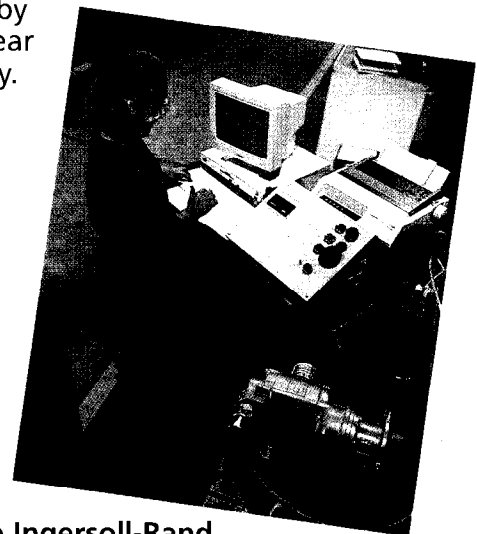
Automatic Updating

- All reman starters include new o-rings, seals, gaskets and any other key components that require replacement... are updated to the latest design revisions...and are traceable to individual test data.

Complete Testing

- All reman starters are dynamometer tested to simulate actual operating conditions and start cycles.

IR reman starters reflect 60 years of air starter manufacturing experience and 25 years of air starter **remanufacturing** expertise...and are backed by a one-year warranty.

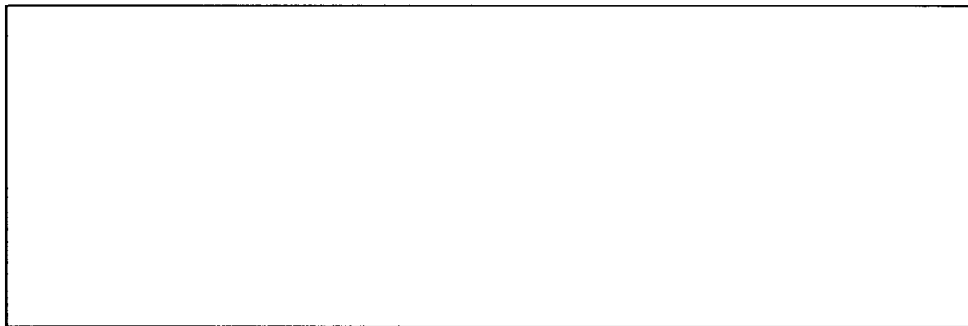


Genuine Ingersoll-Rand remanufactured starters – the best alternative to new.

INGERSOLL-RAND ENGINE STARTING SYSTEMS — RIGHT FROM THE START

Clearly, Ingersoll-Rand offers more depth of experience, unique features, flexibility, and options than anyone else in the starting business. But the key to getting the most out of your I-R air starting system, is to maintain its integrity, keeping it right from the start and for the longer life it was designed to deliver.

Do this by demanding genuine Ingersoll-Rand parts and remanufactured starters, and by relying on the expert service of I-R factory authorized distributors.



INGERSOLL-RAND



INGERSOLL-RAND
PRODUCTION EQUIPMENT

Engine Starting Systems
Ingersoll-Rand Company
P.O. Box 8000
1725 U.S. Hwy #1-N
Southern Pines, NC 28387
(910)-692-8700
(910)-692-8013 (Fax)
1-888-START AIR