

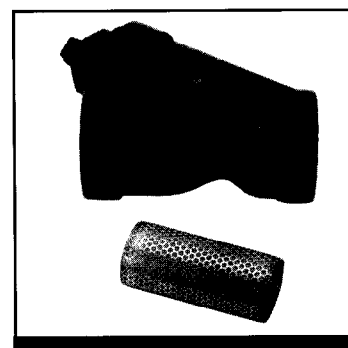
Engine Starting Systems Air Strainer Line



- Recommended for industrial starter applications
- Operational with air or gas
- Reinforced wire mesh filter element to withstand heavy contaminants—300 mesh
- Increases starter life and performance
- Rugged cast iron corrosion resistant construction
- 250 psi maximum non-shock pressure

300 Mesh Thread Type Y Strainers

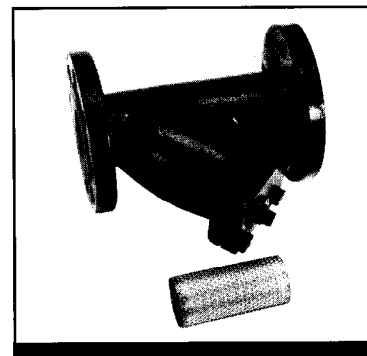
Thread Size	Part Number	Replacement Filter Part Number
1 - 11 1/2	ST900-267-16	ST900-266-16
1 1/2 - 11 1/2	ST900-267-24	ST900-266-24
2 - 11 1/2	ST900-267-32	ST900-266-32



Thread Type Strainer

300 Mesh Flange Type Y Strainers

Flange Size	Part Number	Replacement Filter Part Number
2"	ST900-267-32F	ST900-266-32F
3"	ST900-267-48	ST900-266-48
4"	ST900-267-64	ST900-266-64

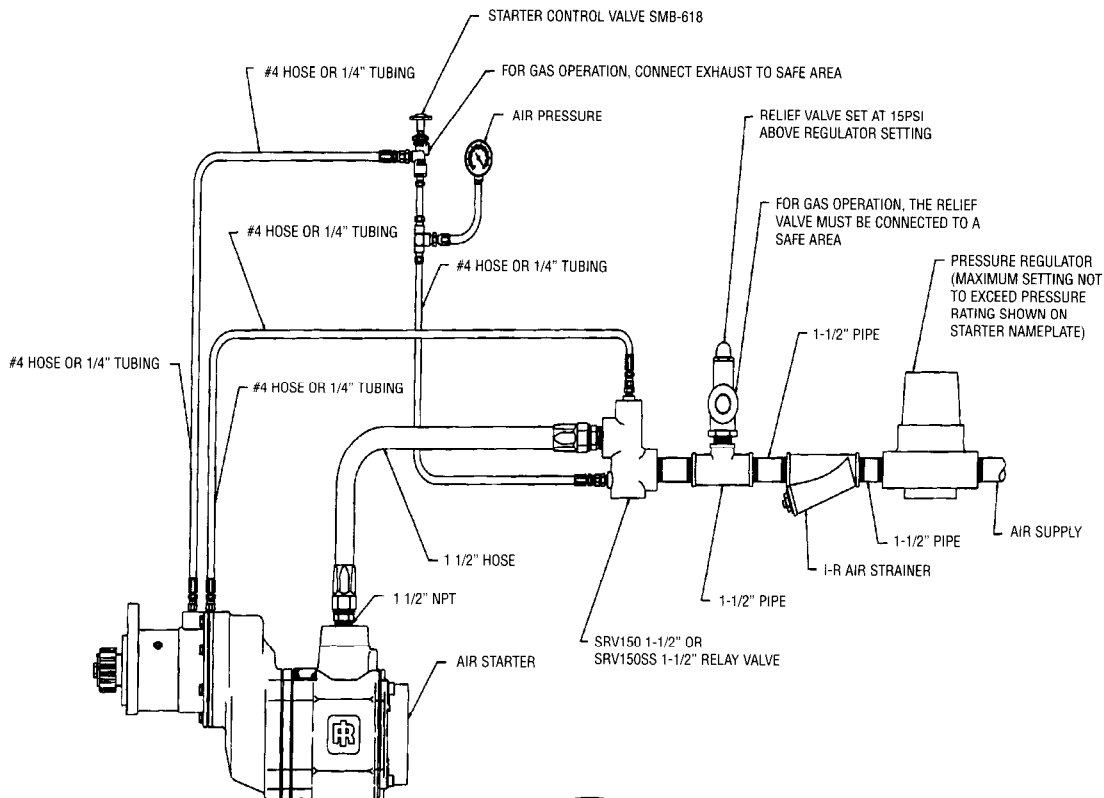
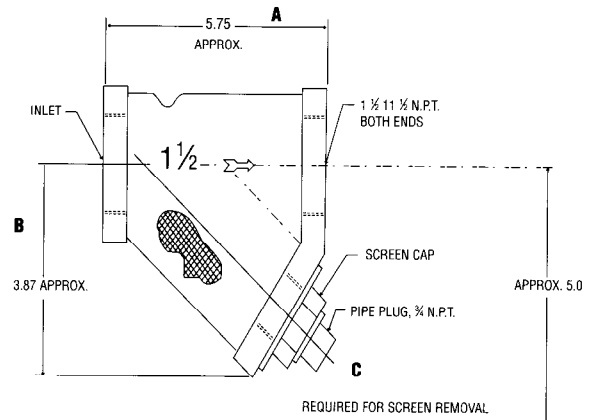
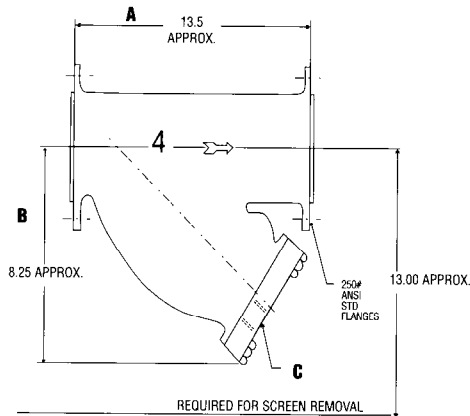


Flange Type Strainer

INGERSOLL-RAND

Dimensions and Weights

Size	A	B	C (Npt)	Weight (lbs.)
ST900-267-16	4	2.62	3/4"	3
ST900-267-24	5.75	3.87	3/4"	8
ST900-267-32	7.00	4.75	1"	13
ST900-267-32F	9 3/16	5 5/16	3/4"	23
ST900-267-48	12 3/4	8 1/4	1 1/4"	52
ST900-267-64	13.5	8.25	1 1/2-11 1/2"	91



Engine Starting Systems

Ingersoll-Rand Company
 Post Office Box 8000
 1725 U.S. Hwy #1-N
 Southern Pines, NC 28387
 (910) 692-8700-x241



INGERSOLL-RAND