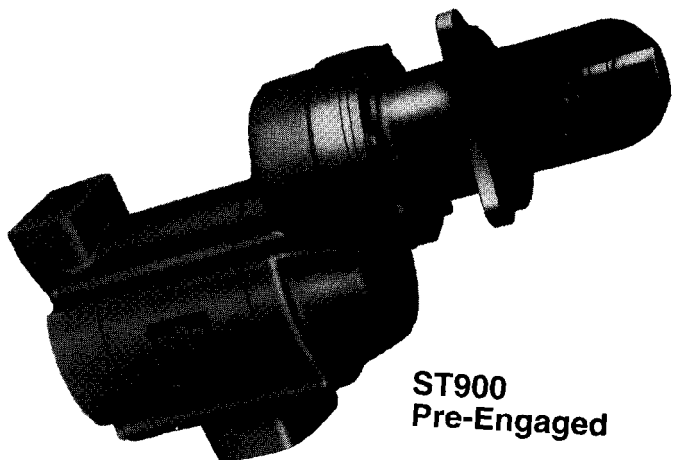
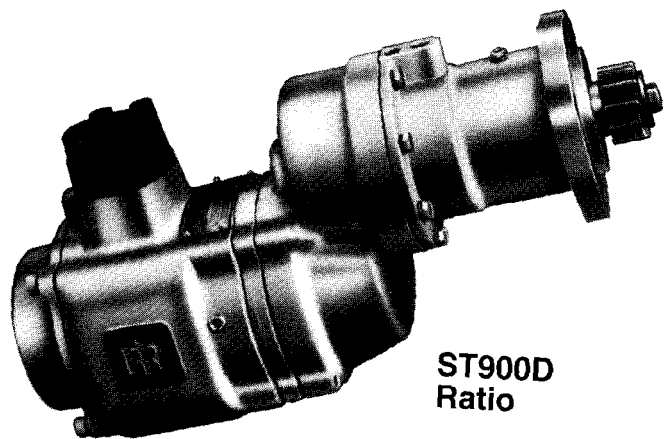
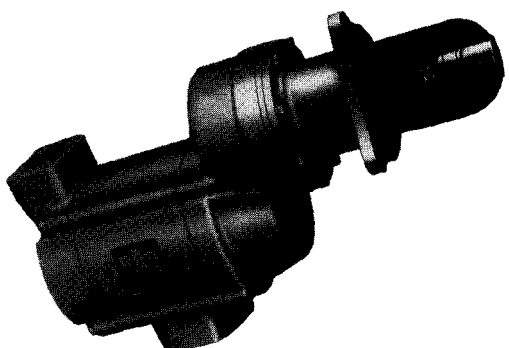
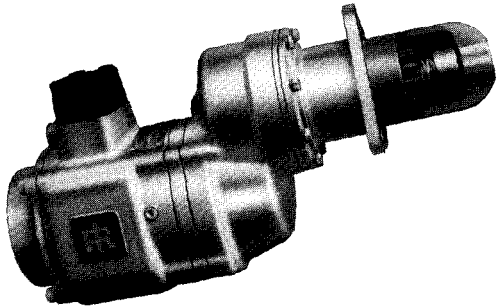


ST900
Inertia



ST900
Pre-Engaged



ST900D
Ratio

