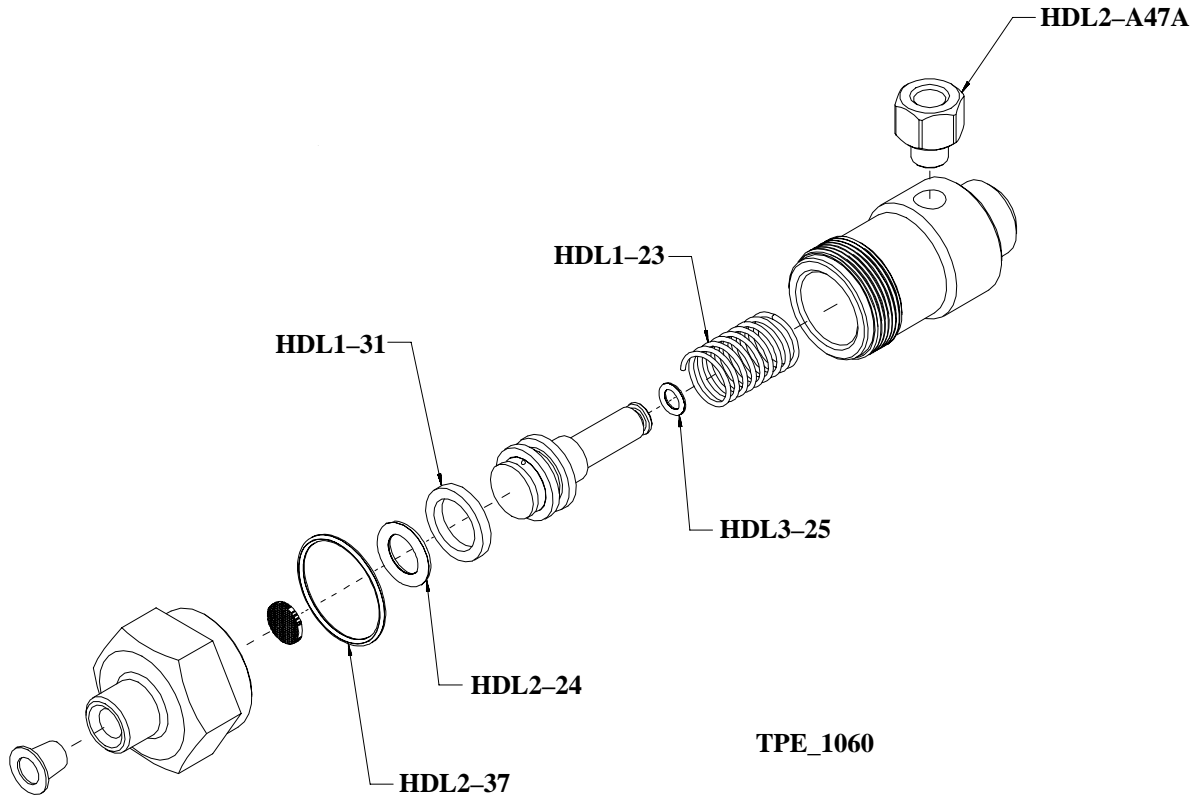


Genuine

Ingersoll-Rand Replacement Parts

HDL3-TK1 TUNE-UP KIT



This **GENUINE** Ingersoll-Rand Tune-up Kit contains the following parts:

PART NUMBER	PART NAME (Description)	QUANTITY
HDL1-23	Piston Spring	1
HDL2-37	Inlet O-ring	1
HDL3-25	Front Piston O-ring	1
HDL2-24	Rear Piston O-ring	1
HDL1-31	Piston Seal	1
HDL2-A47A	Housing Assembly	1

For further information, refer to the following form:

TOOL	HDL3
Parts List	P6781