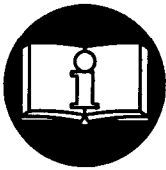


PARTS LIST

for

PT-15K PENDANT KIT



READ THIS PARTS LIST BEFORE USING THESE PRODUCTS. This parts list contains important repair parts identification. Make this information available to all persons responsible for the operation, installation and maintenance of these products.

⚠ WARNING

Failure to follow these warnings can result in serious injury or death.

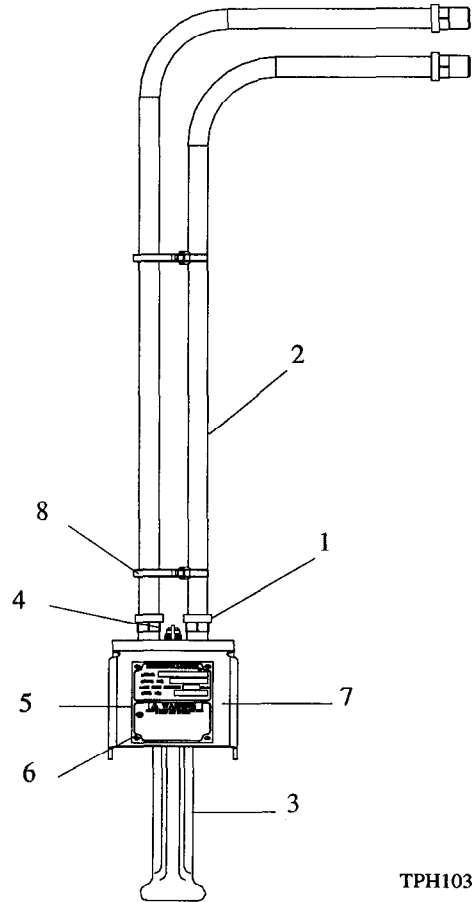
⚠ WARNING

Disconnect the Barring Motor from the air supply before installing pendant control kit.

- Operate Barring Motor at or below the maximum inlet pressure stamped on Barring Motor nameplate.

- Operate on compressed air only.
- Do not remove any labels. Replace any damaged label.
- Follow lockout procedures.
- Before installing or operating read manual supplied with Barring Motor.
- Assemble the PT-15K Pendant Control Kit as shown in the drawings on the reverse side of this sheet.

PT-15K PENDANT KIT DRAWING AND PARTS LIST



TPH1037

PT-15K (Refer to TPH1037)

ITEM NO.	DESCRIPTION OF PART	QTY. TOTAL	PART NUMBER
1	Fitting	4	53954
2	Hose	1	BH6C
3	Assembled Pendant Handle	1	MR-269C
4	Fitting	3	71009815
5	Warning Tag	1	04685947
6	Screw	4	Y60-43
7	Shield	1	04686168
8	Tie Strap	15	HRE20A-283
9	Fitting (not shown)	2	10565

Item No. 9 to be used with the T007 Series Barring Motors.