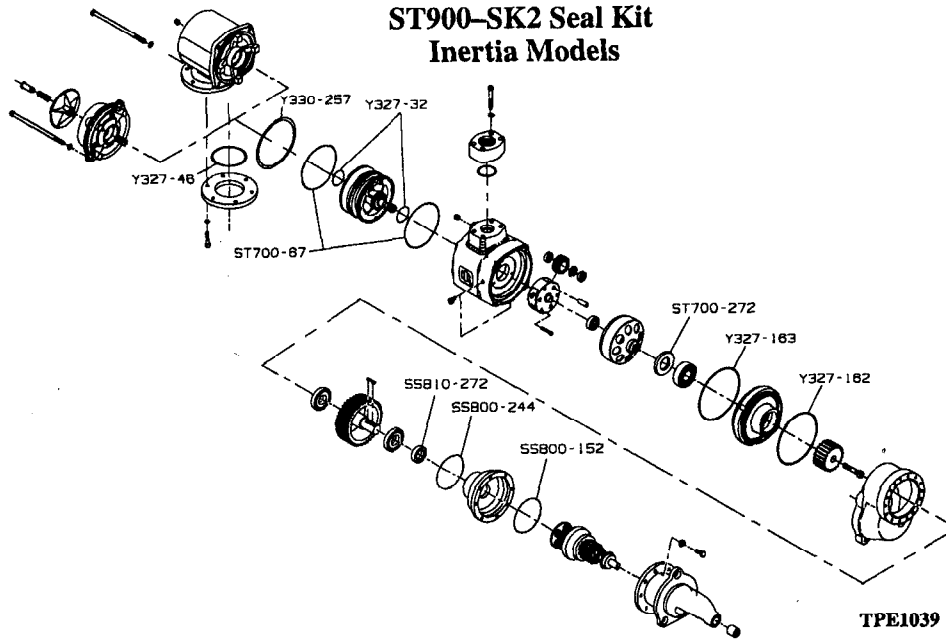


**Genuine**

# Ingersoll-Rand Replacement Parts



This **GENUINE** Ingersoll-Rand Seal Kit contains the following parts:

PART NUMBER	PART NAME (Description)	QUANTITY
SS800-152	O-Ring	1
SS800-244	O-Ring	1
SS810-272	Retainer	1
ST700-272	Seal	1
ST700-67	Seal	2
Y327-162	O-Ring	1
Y327-163	O-Ring	1
Y327-32	O-Ring	2
Y327-46	O-Ring	1
Y330-257	O-Ring	1

For further information refer to the following form:

<b>Starter Model</b>	<b>ST900</b>
Installation and Maintenance Manual	P7156