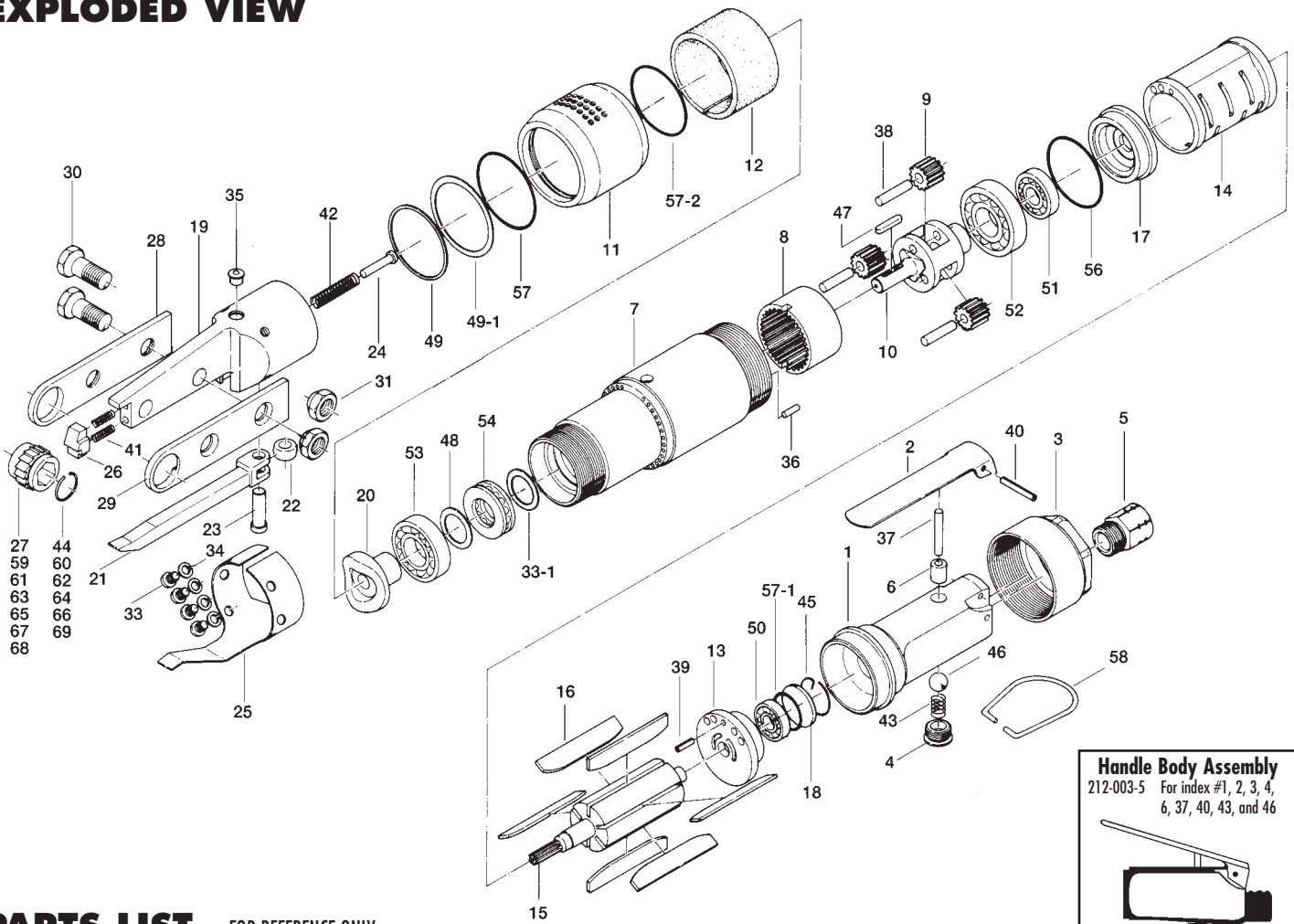


URW-9N RATCHET WRENCHES

EXPLODED VIEW



Handle Body Assembly
212-003-5 For index #1, 2, 3, 4, 6, 37, 40, 43, and 46

PARTS LIST — FOR REFERENCE ONLY

Index Number	Part Number	Description	Qty.	Index Number	Part Number	Description	Qty.	Index Number	Part Number	Description	Qty.
1	212-014-5	Handle	1	27	858-823-1	Ratchet (9/16)	1	52	982-203-0	Ball Bearing (6203)	1
2	020-107-1	Valve Lever	1	28	201-664-1	Rod Guide (Right)	1	53	982-404-0	Ball Bearing (EE-5)	1
3	212-736-5	Handle Nut	1	29	201-665-1	Rod Guide (Left)	1	54	986-003-0	Thrust Ball Bearing (51103)	1
4	201-108-1	Valve Plug	1	30	201-666-1	Rod Guide Bolt	2	56	990-928-0	O-Ring (SNS-38)	1
5	191-091-5	Air Inlet Bushing	1	31	201-667-1	Rod Guide Nut	2	57	990-936-0	O-Ring (SNS-45)	1
6	553-103-1	Valve Rod Bushing	1	33	948-208-0	Round Head Screw (M5 X 8)	4	57-1	990-91 9-0	O-Ring (SNS-22)	1
7	212-025-5	Casing	1	33-1	201-669-1	Spacer	1	57-2	990-939-0	O-Ring (SNS-50)	1
8	212-465-5	Internal Gear	1	34	962-008-0	Spring Washer (2-55)	4	ACCESSORIES			
9	212-470-5	Planet Gear	3	35	968-131-0	Grease Cap (1/4)	1	58	010-790-1	Suspension Ring	1
10	212-480-5	Gear Cage	1	36	970-208-0	Pin (H) (3 X 10)	2	optional ACCESSORIES			
11	212-782-5	Exhaust Deflector	1	37	970-324-0	Pin (H) (4 X 24)	1	59	201-656-1	Ratchet (9mm)	1
12	212-099-5	Silencer	1	38	972-168-0	Needle Roller (5 x 21)	3	60	978-120-0	Snap Ring (11.8 x 0.8) 9-type	1
13	323-285-2	Rear Plate	1	39	973-110-0	Roll Pin (3 x 10)	1	61	210-656-1	Ratchet (10mm)	1
14	323-286-1	Cylinder	1	40	973-124-0	Roll Pin (3 x 24)	1	62	978-135-0	Snap Ring (12.5 x 0.8) 10-type	1
15	212-287-5	Rotor	1	41	976-032-0	Spring (3.6 x 13)	2	63	211-656-1	Ratchet (12mm)	1
16	323-288-1	Blade	6	42	976-119-0	Spring (6 x 40)	1	64	978-140-0	Snap Ring (14 x 1.0) 12-type	1
17	212-289-5	Front Plate	1	43	976-150-0	Spring (7 x 10)	1	65	209-656-1	Ratchet (12.7mm)	1
18	609-291-1	Rear Plate Spacer	1	44	978-158-0	Snap Ring (16 x 1.0)	1	66	978-150-0	Snap Ring (15 x 1.0) 12.7 & 13-type	1
19	201-381-1	Cam Casing	1	45	978-269-0	Snap Ring (27 x 1.2)	1	67	207-656-1	Ratchet (13mm)	1
20	201-346-1	Cam	1	46	981-030-0	Ball (3/8)	1	68	212-656-1	Ratchet (14mm)	1
21	201-650-1	Operating Rod	1	47	974-015-0	key (3/15)	1	69	978-170-0	Snap Ring (17 x 1.0) 14-type	1
22	201-651-1	Cam Roller	1	48	201-807-1	Spacer	1				
23	201-652-2	Cam Roller Pin	1	49	975-875-0	Adjusting Spacer (44 x 40.2 x T)	1				
24	201-653-1	Cam Roller Push Pin	1	49-1	975-378-0	Spacer (47 x 40.2 x 0.5)	1				
25	201-663-1	Rod Plate Spring	1	50	982-015-0	Ball Bearing (608)	1				
26	201-562-1	Checker	1	51	982-100-0	Ball Bearing (6000)	1				

When ordering spare parts, please specify tool type, part number and description.



AIMCO

10000 SE PINE, PORTLAND, OR 97216
503-254-6600 FAX 503-255-2615

FOOTNOTES

AIMCO also offers a complete line of standard & special adapters, bits, sockets and extensions.