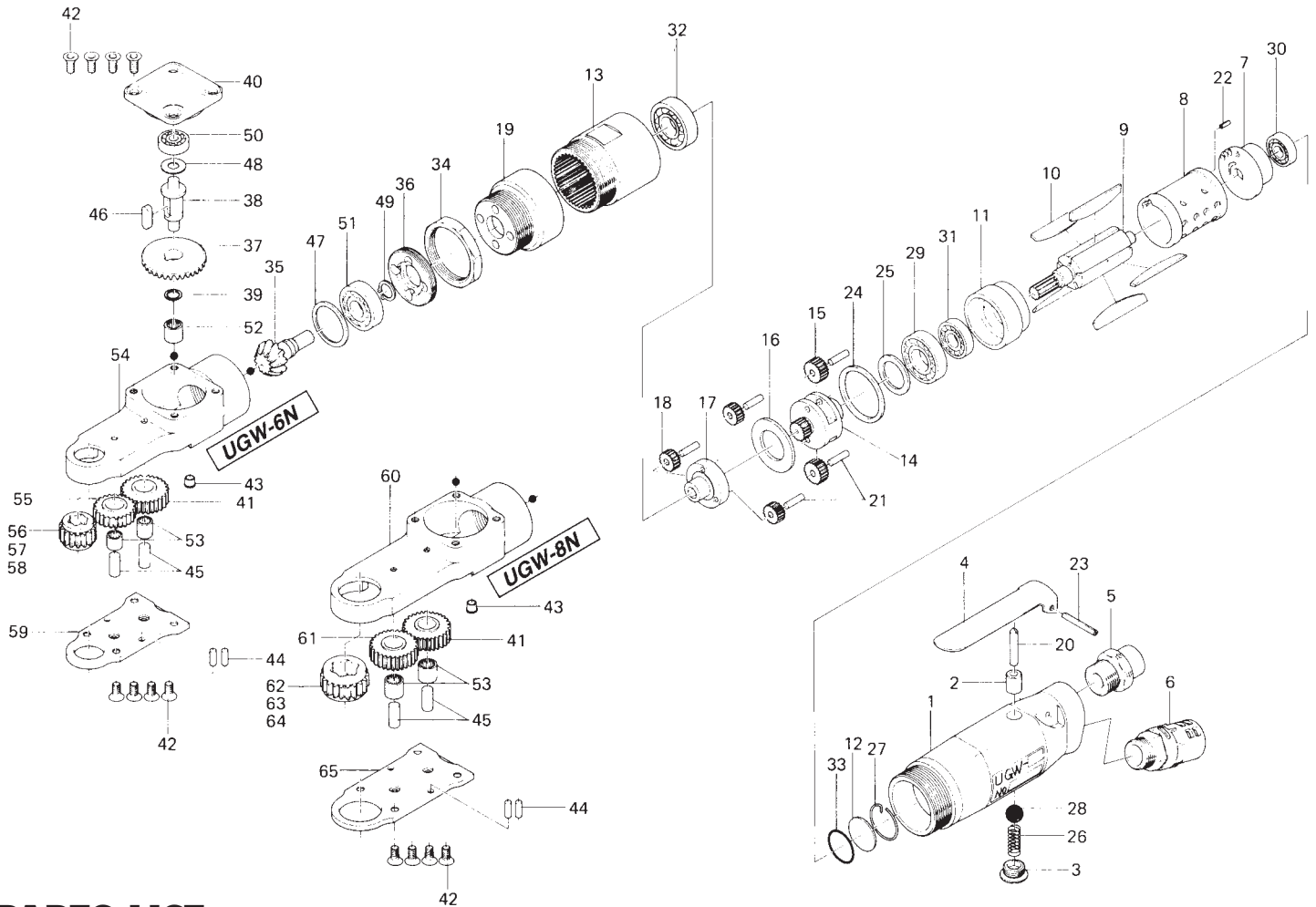


UGW-6N & UGW-8N GEARED WRENCHES

EXPLODED VIEW



PARTS LIST — FOR REFERENCE ONLY

Index Number	Part Number	Description	Qty.	Index Number	Part Number	Description	Qty.	Index Number	Part Number	Description	Qty.
1	246-025-0	Casing	1	26	977-154-0	Cone Spring (7 x 7.5 x 17)	1	51	982-100-0	Ball Bearing (6000)	1
2	553-103-1	Valve Rod Bushing	1	27	978-231-0	Snap Ring (23 x 1.2)	1	52	988-340-0	Needle Roller Bearing (TLAM69)	1
3	201-108-1	Valve Plug	1	28	981-030-0	Polyurethane Ball (3/8)	1	53	988-380-0	Needle Roller Bearing (F68)	2
4	500-107-1	Valve Lever	1	29	982-101-0	Ball Bearing (6001)	1	54	246-032-0	Bevel Gear Casing	1
5	191-091-5	Air Inlet Bushing	1	30	982-401-0	Ball Bearing (EE2)	1	55	233-445-1	Middle Gear (A)	1
6	026-885-7	Silencer Assembly	1	31	982-402-0	Ball Bearing (EE3)	1	56	246-447-0	Socket Gear (10)	1
7	600-285-2	Rear Plate	1	32	982-403-0	Ball Bearing (EE4)	1	57	863-000-1	Socket Gear (9)	1
8	600-286-1	Cylinder	1	33	990-914-0	O-Ring (SNS16)	1	58	863-001-1	Socket Gear (11)	1
9	246-287-0	Rotor	1	34	233-073-0	Gear Casing Lock Nut	1	59	246-070-0	Gear Casing Cover	1
10	233-288-0	Blade	5	35	233-420-0	Driving Gear	1	60	246-032-5	Bevel Gear Casing	1
11	233-289-1	Front Plate	1	36	878-161-1	Ball Bearing Support	1	61	233-445-5	Middle Gear (C)	1
12	600-291-1	Rear Plate Spacer	1	37	233-430-0	Driven Gear	1	62	246-447-5	Socket Gear (14)	1
13	233-029-1	Gear Casing	1	38	233-438-0	Driven Gear Spindle	1	63	863-002-1	Socket Gear (12)	1
14	233-480-0	First Gear Cage	1	39	470-344-8	Cam Spacer	1	64	863-003-1	Socket Gear (13)	1
15	233-470-0	First Planet Gear	2	40	233-072-0	Bevel Gear Casing cover	1	65	246-070-5	Gear Casing Cover	1
16	233-483-0	Gear Cage Spacer	1	41	233-445-5	Middle Gear (B)	1				
17	233-485-0	Second Gear Cage	1	42	948-430-0	Allen Flush Head Screw (M4 x 8)	8				
18	233-471-0	Second Planet Gear	3	43	968-130-0	Grease Cup (3/16)	1				
19	233-037-0	Gear Casing Connector	1	44	972-089-0	Roller Pin (3 x 8)	2				
20	970-321-0	Pin (H) (4 x 21)	1	45	972-212-0	Roller Pin (6 x 12)	2				
21	972-092-0	Roller Pin (3 x 12)	5	46	974-766-0	Key (4 x 6)	1				
22	973-006-0	Roll Pin (2 x 6)	1	47	975-802-0	Adjusting Spacer (26 x 22 x T)	1				
23	973-124-6	Roll Pin (3 x 24)	1	48	975-749-0	Adjusting Spacer (13 x 6 x T)	1				
24	975-257-0	Spacer (33.8 x 29 x 1.5)	1	49	979-107-0	Outer Snap Ring (10)	1				
25	975-167-0	Spacer (24 x 16 x 1)	1	50	982-013-0	Ball Bearing (606)	1				

FOOTNOTES

- = Parts for UGW-6N
- ◆ = Parts for UGW-8N

AIMCO also offers a complete line of standard & special adapters, bits, sockets and extensions.



When ordering spare parts, please specify tool type, part number and description.

10000 SE PINE, PORTLAND, OR 97216
503-254-6600 FAX 503-255-2615