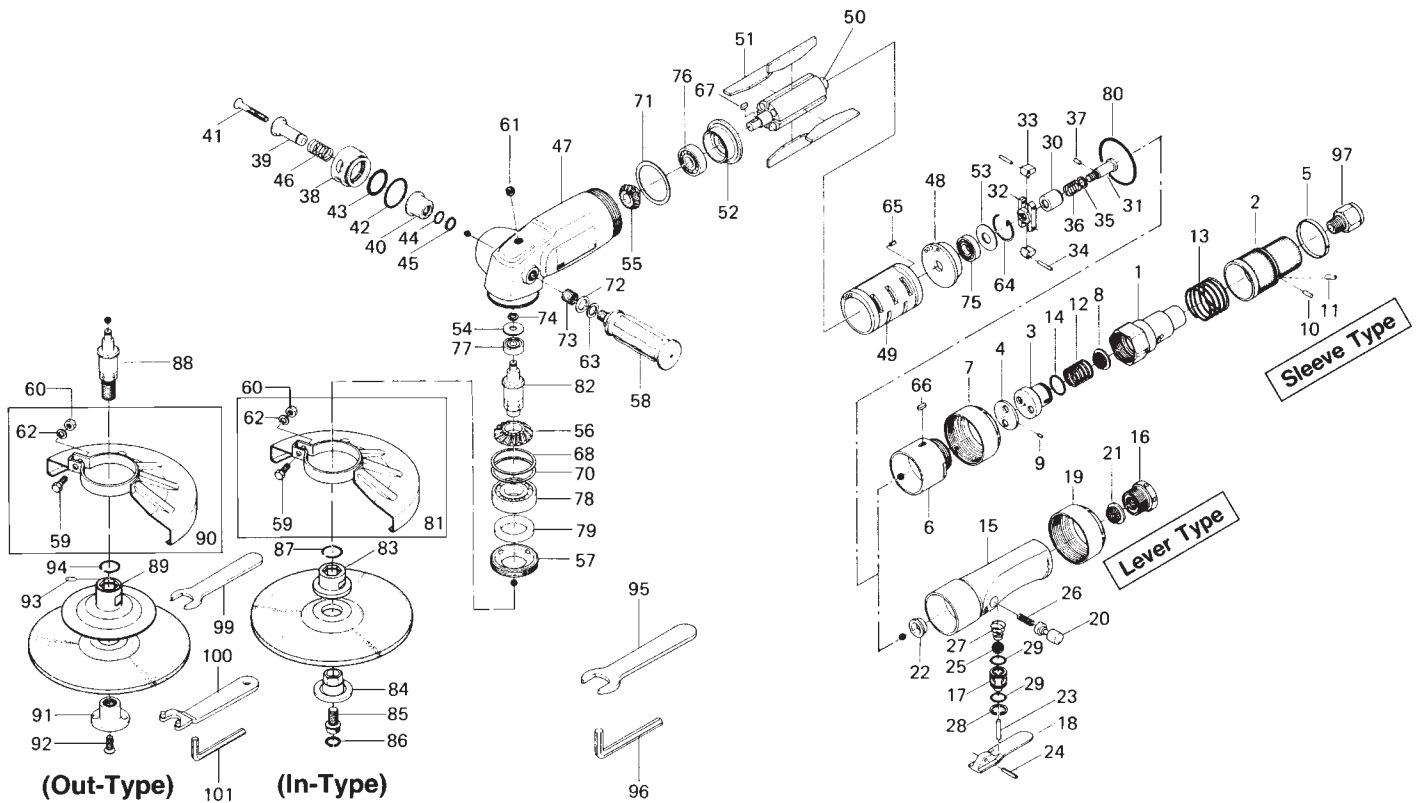


UAG-90 SERIES AIR GRINDER

EXPLODED VIEW



PARTS LIST — FOR REFERENCE ONLY

Index Number	Part Number	Description	Qty.
1	591-014-6	Valve Body	1 ○
2	591-015-6	Valve Handle	1 ○
3	591-100-6	Valve	1 ○
4	591-102-6	Valve Seat	1 ○
5	591-670-6	Band	1 ○
6	593-729-6	Handle Body Connector	1 ○
7	593-736-4	Valve Body Nut	1 ○
8	573-835-9	Filter	1 ○
9	970-204-0	Pin (H) (3 x 6)	1 ○
10	972-108-0	Roller Pin (4 x 8)	1 ○
11	973-008-0	Roll Pin (2 x 8)	1 ○
12	976-533-0	Spring (23 x 20) (1.4)	1 ○
13	976-736-0	Spring (40.5 x 25) (2.0)	1 ○
14	990-919-0	O-Ring (SNS-22)	1 ○
15	593-014-3	Valve Body	1 ■
16	519-091-6	Air Inlet Bushing	1 ■
17	591-101-7	Valve Bushing	1 ■
18	593-107-3	Valve Lever	1 ■
19	593-736-4	Valve Body Nut	1 ■
20	585-765-1	Safety Pin	1 ■
21	573-835-9	Filter	1 ■
22	591-171-7	Governor Valve Bushing	1 ■
23	970-323-0	Pin (H) (4 x 23)	1 ■
24	973-174-0	Roll Pin (3.5 x 24)	1 ■
25	981-214-0	Ball (1/2)	1 ■
26	976-114-0	Spring (6 x 18) (0.55)	1 ■
27	977-260-0	Cone Spring (10 x 16 x 16)	1 ■
28	979-011-0	Inner Snap Ring (18)	1 ■
29	990-913-0	O-Ring (SNS-15)	2 ■
30	593-170-3	Governor Valve	1 X
31	593-176-3	Governor Spindle	1 X
32	591-181-7	Governor Cage	1 X
33	593-183-3	Governor Weight	2 X
34	973-120-0	Roll Pin (3 x 20)	2 X
35	975-728-0	Adjusting Spacer (13 x 10 x T)	1 X

Index Number	Part Number	Description	Qty.
36	976-334-0	Spring (13.3 x 21.5) (1.6)	1 X
37	970-205-0	Pin (H) (3 x 7)	1 X
38	591-780-7	Exhaust Stack	1 ▼
39	591-787-7	Exhaust Cover Retainer	1 ▼
40	591-782-6	Exhaust Cover	1 ▼
41	948-568-0	Allen Flush Head Bolt (M6 x 45)	1 ▼
42	990-927-0	O-Ring (SNS-34)	1 ▼
43	990-503-0	O-Ring (G-30)	1 ▼
44	990-911-0	O-Ring (SNS-12)	1 ▼
45	979-109-0	Outer Snap Ring (12)	1 ▼
46	976-358-0	Spring (14.4 x 26)	1 ▼
47	593-025-4	Casing	1
48	593-285-3	Cylinder Rear Plate	1
49	593-286-3	Cylinder	1
50	593-287-3	Rotor	1
51	593-288-3	Blade	4
52	593-289-4	Front Plate	1
53	591-291-6	Cylinder Rear Plate Spacer	1
54	537-391-0	Wheel Spindle Rear Cover	1
55	593-420-3	Driving Gear	1
56	593-430-3	Driven Gear	1
57	591-065-6	Casing Front Cover	1
58	566-720-2	Dead Handle	1
59	946-904-0	Hexagon Head Bolt (M6 x 22)	1
60	960-041-0	Hexagon Head Nut (1-M6)	1
61	966-100-0	Allen Head Plug (1/8)	1
62	962-009-0	Spring Washer (2-65)	1
63	962-013-0	Spring Washer (2-125)	1
64	978-338-0	Snap Ring (34 x 1.2)	1
65	973-158-0	Roll Pin (3.5 x 8)	1
66	974-001-0	Key (3 x 2.5 x 11)	1
67	974-008-0	Key (3 x 8)	1
68	975-376-0	Spacer (47 x 43 x 1)	1
70	975-881-0	Adjusting Spacer (47 x 43 x T)	1
71	975-883-0	Adjusting Spacer (48 x 38 x T)	1

Index Number	Part Number	Description	Qty.
72	975-095-0	Spacer (18 x 13 x 1)	1
73	965-058-0	Heri-Sert (M12 x 1)	1
74	979-104-0	Outer Snap Ring (7)	1
75	982-141-0	Ball Bearing (6001Z)	1
76	982-241-0	Ball Bearing (6201Z)	1
77	982-022-0	Ball Bearing (627)	1
78	982-244-0	Ball Bearing (6204Z)	1
79	993-040-0	Felt Ring (28 x 42 x 5)	1
80	990-942-0	O-Ring (SNS-56)	1
81	593-770-6	Wheel Guard	1 ●
82	591-390-6	Wheel Spindle (IN)	1 ●
83	591-393-6	Wheel Holder Flange	1 ●
84	591-394-6	Wheel Nut Flange	1 ●
85	945-993-0	Hexagon Socket Flange Head Bolt (M18 x 18)	1 ●
86	979-317-0	Inner Snap Ring (IRWT-17)	1 ●
87	978-209-0	Snap Ring (21 x 1.2)	1 ●
88	591-390-3	Wheel Spindle (OUT)	1 *
89	564-393-4	Wheel Holder Flange	1 *
90	593-770-4	Wheel Guard	1 *
91	518-394-7	Wheel Nut Flange	1 *
92	948-453-0	Allen Head Screw (M6 x 18)	1 *
93	973-122-0	Roll Pin (3 x 22)	1 *
94	979-361-0	Inner Snap Ring (ISTW-20)	1 *

ACCESSORIES

95	936-005-0	Spanner (24 x 5 x 195)	1
96	939-006-0	Allen Wrench (8mm)	1
97	942-123-0	Connecting Screw (3/8 x NPT3/8)	1
99	936-524-0	Spanner (24)	1
100	938-057-0	Spanner (6 x 30 x 170)	1
101	939-105-0	Allen Wrench (4mm)	1

FOOTNOTES

- = Parts for 593-003-4 Handle Assy (Sleeve Type)
- = Parts for 593-003-3 Handle Assy (Lever Type)
- X = Parts for 593-893-3 Governor Cage Assembly
- ▼ = Parts for 591-885-6 Silencer Assembly
- = Parts for IN-Type Wheel Setting
- * = Parts for OUT-type Wheel Setting



AIMCO

When ordering spare parts, please specify tool type, part number and description.

10000 SE PINE, PORTLAND, OR 97216
503-254-6600 FAX 503-255-2615