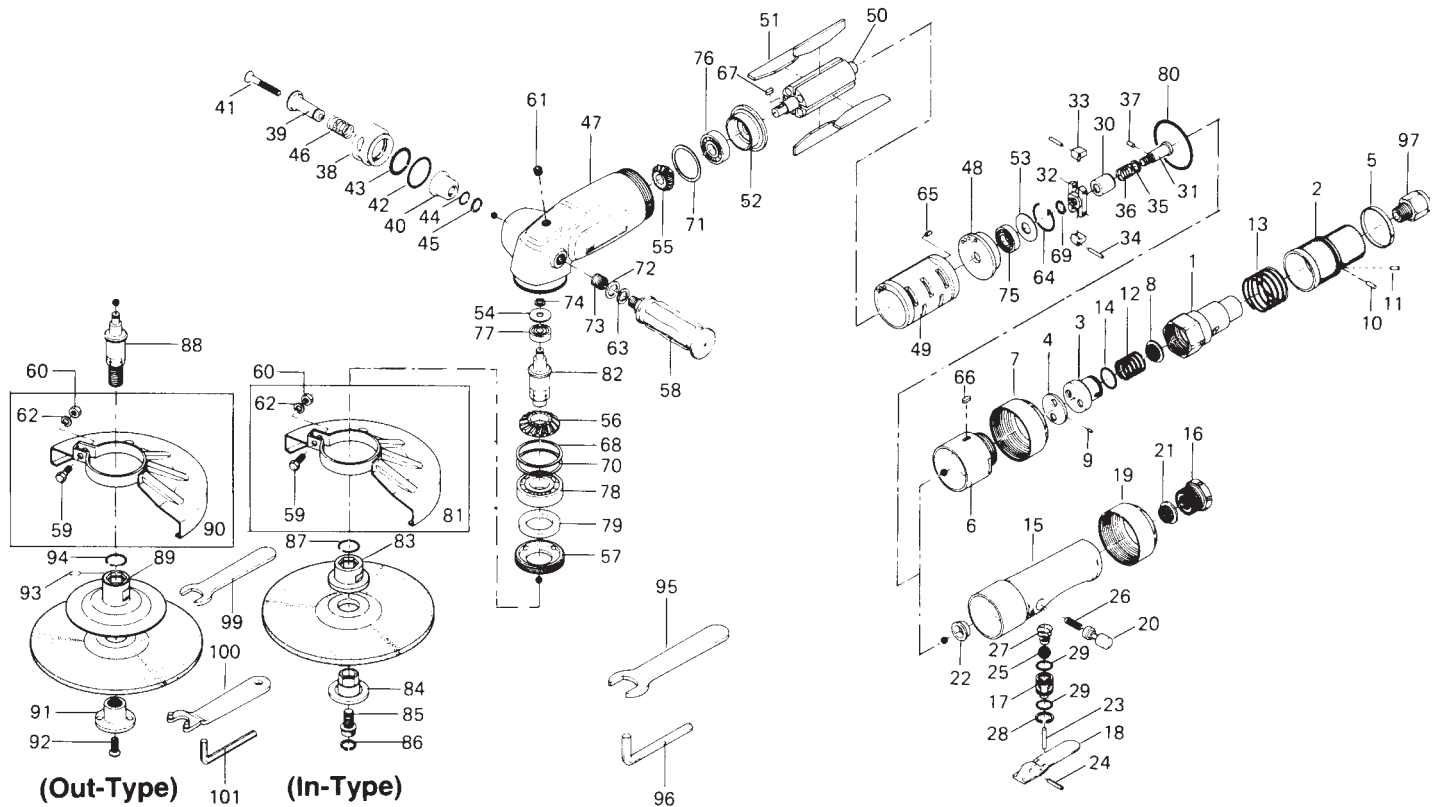


# UAG-70 SERIES AIR GRINDER

## EXPLODED VIEW



## PARTS LIST — FOR REFERENCE ONLY

| Index Number | Part Number | Description                    | Qty. | Index Number | Part Number | Description                     | Qty. | Index Number | Part Number | Description                                | Qty. |
|--------------|-------------|--------------------------------|------|--------------|-------------|---------------------------------|------|--------------|-------------|--|------|
| 1            | 591-014-6   | Valve Body                     | 1    | 36           | 976-340-0   | Spring (13.3 x 19)              | 1    | 71           | 975-868-0   | Adjusting Spacer (43 x 38 x T)             | 1    |
| 2            | 591-015-6   | Valve Handle                   | 1    | 37           | 970-205-0   | Pin (H) (3 x 7)                 | 1    | 72           | 975-095-0   | Spacer (18 x 13 x 1)                       | 1    |
| 3            | 591-100-6   | Valve                          | 1    | 38           | 591-780-7   | Exhaust Stack                   | 1    | 73           | 965-058-0   | Heli-Sert (M12 x 1)                        | 1    |
| 4            | 591-102-6   | Valve Seat                     | 1    | 39           | 591-787-7   | Exhaust Cover Retainer          | 1    | 74           | 979-104-0   | Outer Snap Ring (7)                        | 1    |
| 5            | 591-670-6   | Band                           | 1    | 40           | 591-782-6   | Exhaust Cover                   | 1    | 75           | 982-141-0   | Ball Bearing (6001Z)                       | 1    |
| 6            | 591-729-6   | Handle Body Connector          | 1    | 41           | 948-568-0   | Allen Flush Head Bolt (M6 x 45) | 1    | 76           | 982-241-0   | Ball Bearing (6201Z)                       | 1    |
| 7            | 591-736-7   | Valve Body Nut                 | 1    | 42           | 990-927-0   | O-Ring (SNS-34)                 | 1    | 77           | 982-022-0   | Ball Bearing (627)                         | 1    |
| 8            | 573-835-9   | Filter                         | 1    | 43           | 990-503-0   | O-Ring (6-30)                   | 1    | 78           | 982-244-0   | Ball Bearing (6204Z)                       | 1    |
| 9            | 970-204-0   | Pin (H) (3 x 6)                | 1    | 44           | 990-911-0   | O-Ring (SNS-12)                 | 1    | 79           | 993-040-0   | Felt Ring (28 x 42 x 5)                    | 1    |
| 10           | 972-108-0   | Roller Pin (4 x 8)             | 1    | 45           | 979-109-0   | Outer Snap Ring (12)            | 1    | 80           | 990-939-0   | O-Ring (SNS-50)                            | 1    |
| 11           | 973-008-0   | Roll Pin (2 x 8)               | 1    | 46           | 976-358-0   | Spring (14.4 x 26)              | 1    | 81           | 591-770-6   | Wheel Guard                                | 1    |
| 12           | 976-533-0   | Spring (23 x 20)               | 1    | 47           | 591-025-7   | Casing                          | 1    | 82           | 591-390-6   | Wheel Spindle (IN)                         | 1    |
| 13           | 976-736-0   | Spring (40.5 x 25)             | 1    | 48           | 591-285-6   | Cylinder Rear Plate             | 1    | 83           | 591-393-6   | Wheel Holder Flange                        | 1    |
| 14           | 990-919-0   | O-Ring (SNS-22)                | 1    | 49           | 591-286-6   | Cylinder                        | 1    | 84           | 591-394-6   | Wheel Nut Flange                           | 1    |
| 15           | 591-014-7   | Handle (Lever Type)            | 1    | 50           | 591-287-6   | Rotor                           | 1    | 85           | 945-993-0   | Hexagon Socket Flange Head Bolt (M10 x 18) | 1    |
| 16           | 519-091-6   | Air Inlet Bushing              | 1    | 51           | 591-288-6   | Blade                           | 4    | 86           | 979-317-0   | Inner Snap Ring (IRWT-17)                  | 1    |
| 17           | 591-101-7   | Valve Bushing                  | 1    | 52           | 591-289-7   | Front Plate                     | 1    | 87           | 978-209-0   | Snap Ring (21 x 1.2)                       | 1    |
| 18           | 593-107-3   | Valve Lever                    | 1    | 53           | 591-291-6   | Cylinder Rear Plate Spacer      | 1    | 88           | 591-390-3   | Wheel Spindle (OUT)                        | 1    |
| 19           | 591-736-7   | Valve Body Nut                 | 1    | 54           | 537-391-0   | Wheel Spindle Rear Cover        | 1    | 89           | 564-393-4   | Wheel Holder Flange                        | 1    |
| 20           | 585-765-1   | Safety Pin                     | 1    | 55           | 591-420-7   | Driving Gear                    | 1    | 90           | 591-770-3   | Wheel Guard                                | 1    |
| 21           | 573-835-9   | Filter                         | 1    | 56           | 591-430-7   | Driven Gear                     | 1    | 91           | 518-394-7   | Wheel Nut Flange                           | 1    |
| 22           | 591-171-7   | Governor Valve Bushing         | 1    | 57           | 591-065-6   | Casing Front Cover              | 1    | 92           | 948-453-0   | Allen Head Screw (M6 x 18)                 | 1    |
| 23           | 970-323-0   | Pin (H) (4 x 23)               | 1    | 58           | 566-720-2   | Dead Handle                     | 1    | 93           | 973-122-0   | Roll Pin (3 x 22)                          | 1    |
| 24           | 973-174-0   | Roll Pin (3.5 x 24)            | 1    | 59           | 946-222-0   | Hexagon Head Bolt (M6 x 22)     | 1    | 94           | 979-361-0   | Inner Snap Ring (ISTW-20)                  | 1    |
| 25           | 981-214-0   | Ball (1/2)                     | 1    | 60           | 960-041-0   | Hexagon Head Nut (1-M6)         | 1    |              |             |  |      |
| 26           | 976-114-0   | Spring (6 x 18)                | 1    | 61           | 966-100-0   | Allen Head Plug (1/8)           | 1    |              |             |  |      |
| 27           | 977-260-0   | Cone Spring (10 x 16 x 16)     | 1    | 62           | 962-009-0   | Spring Washer (2-65)            | 1    |              |             |  |      |
| 28           | 979-011-0   | Inner Snap Ring (18)           | 1    | 63           | 962-013-0   | Spring Washer (2-125)           | 1    |              |             |  |      |
| 29           | 990-913-0   | O-Ring (SNS-15)                | 2    | 64           | 978-338-0   | Snap Ring (34 x 1.2)            | 1    |              |             |  |      |
| 30           | 591-170-8   | Governor Valve                 | 1    | 65           | 973-108-0   | Roll Pin (3 x 8)                | 1    |              |             |  |      |
| 31           | 591-176-7   | Governor Spindle               | 1    | 66           | 974-001-0   | Key (3 x 2.5 x 11)              | 1    |              |             |  |      |
| 32           | 591-181-7   | Governor Cage                  | 1    | 67           | 974-008-0   | Key (3 x 8)                     | 1    |              |             |  |      |
| 33           | 591-183-6   | Governor Weight                | 2    | 68           | 975-376-0   | Spacer (47 x 43 x 1)            | 1    |              |             |  |      |
| 34           | 973-120-0   | Roll Pin (3 x 20)              | 2    | 69           | 975-027-1   | Spacer (12 x 8.5 x 1)           | 1    |              |             |  |      |
| 35           | 975-728-0   | Adjusting Spacer (13 x 10 x T) | 1    | 70           | 975-881-0   | Adjusting Spacer (47 x 43 x T)  | 1    |              |             |  |      |

### ACCESSORIES

|     |           |                                 |   |
|-----|-----------|---------------------------------|---|
| 95  | 936-005-0 | Spanner (24 x 5 x 195)          | 1 |
| 96  | 939-006-0 | Allen Wrench (8mm)              | 1 |
| 97  | 942-123-0 | Connecting Screw (3/8 x NPT3/8) | 1 |
| 99  | 936-524-0 | Spanner (24)                    | 1 |
| 100 | 938-057-0 | Spanner (6 x 30 x 17)           | 1 |
| 101 | 939-105-0 | Allen Wrench (4mm)              | 1 |

### FOOTNOTES

- = Parts for 591-003-6 Handle Assembly (Roll Type)
- = Parts for 591-003-7 Handle Assembly (Lever Type)
- ✕ = Parts for 591-893-6 Governor Cage Assembly
- ▼ = Parts for 591-885-6 Silencer Assembly
- ◆ = Parts for UAG-70 (IN-Type)
- \* = Parts for UAG-70 (OUT-Type)



# AIMCO

When ordering spare parts, please specify tool type, part number and description.

10000 SE PINE, PORTLAND, OR 97216  
503-254-6600 FAX 503-255-2615