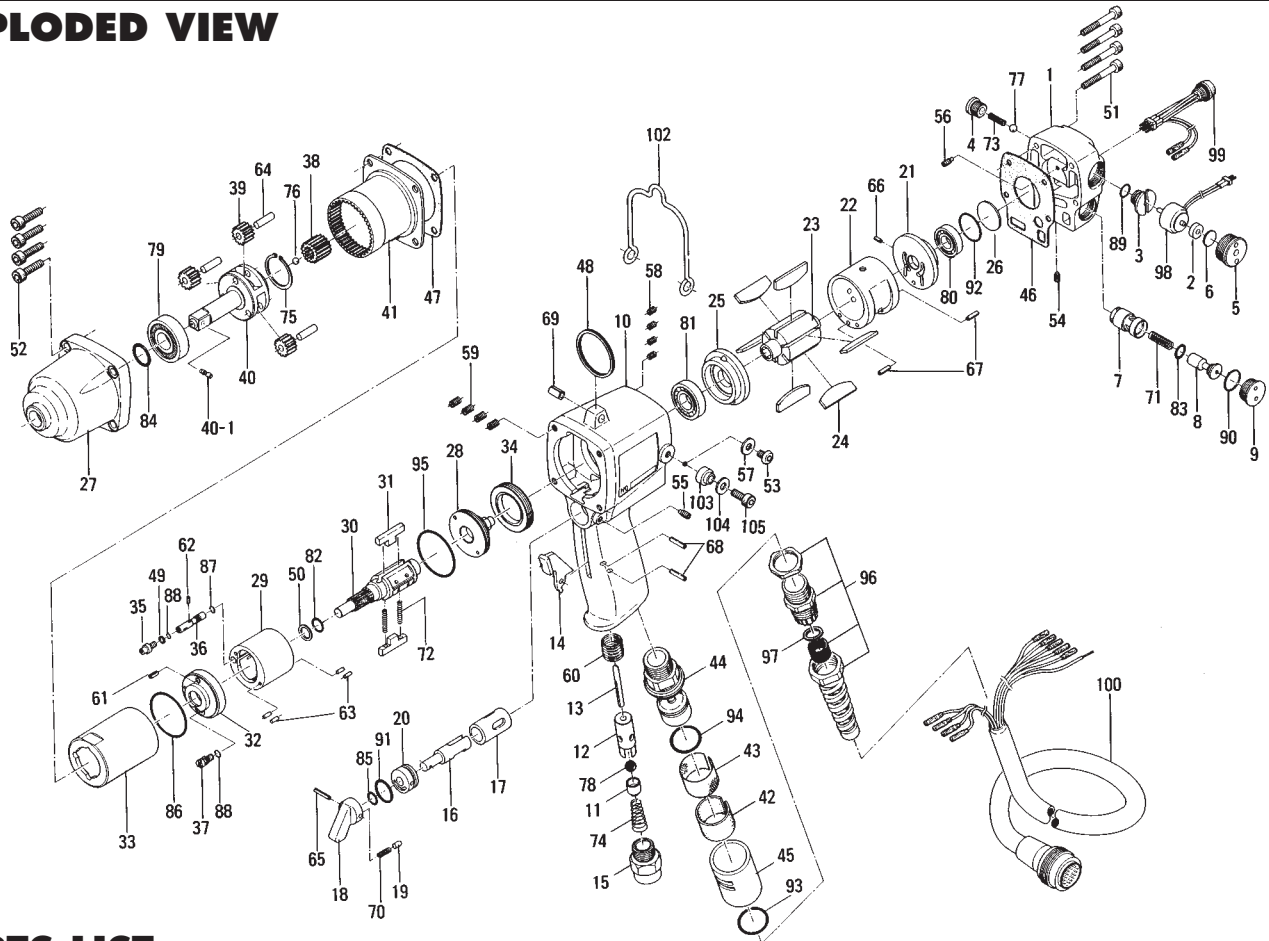


UX80EC OIL-PULSE TOOLS

EXPLODED VIEW



PARTS LIST — FOR REFERENCE ONLY

Index Number	Part Number	Description	Qty.	Index Number	Part Number	Description	Qty.	Index Number	Part Number	Description	Qty.
1	193-012-6	Casing Cover	1	37	194-742-0	Oil Plug	1	72	976-793-0	Spring (3.7 x 29) (0.5) WPC	2
2	193-120-6	Valve Packing Spacer	1	38	193-446-6	Anvil Gear	1	73	976-240-0	Spring (4.3 x 14 x 0.4)	1
3	193-147-6	Stop Valve Bushing	1	39	193-470-6	Planet Gear	3	74	977-175-0	Cone Spring (7.5 x 10.3 x 22)	1
4	193-148-6	Stop Valve Cover	1	40	891-341-1	Socket Anvil Assembly (P)	1	75	979-119-0	Outer Snap Ring (22)	1
5	193-149-6	Stop Valve Plug	1	40-1	891-300-1	Socket Pin Assembly (3/8)	1	76	981-003-0	Ball (5/32)	1
6	193-872-6	Valve Packing	1	41	193-465-6	Internal Gear	1	77	981-024-0	Polyurethane Ball (5)	1
7	193-253-6	Shut Off Valve Bushing	1	42	181-099-0	Noise Filter	1	78	981-208-0	Ball (5/16) Black	1
8	181-254-0	Shut Off Valve	1	43	193-042-5	Wire Net	1	79	982-241-0	Ball Bearing (6201Z)	1
9	185-927-7	Shut Off Valve Cover	1	44	850-432-1	Silencer	1	80	982-402-0	Ball Bearing (EE-3)	1
10	181-025-0	Casing	1	45	850-433-1	Silencer Cover	1	81	982-403-0	Ball Bearing (EE-4)	1
11	185-100-1	Valve	1	46	193-854-6	Casing Packing	1	82	995-512-0	Teflon Seal (AR10400-P12GC)	1
12	063-102-3	Valve Bushing	1	47	193-867-6	Front Casing Packing	1	83	990-004-0	O-Ring (P6)	1
13	193-104-6	Valve Rod	1	48	004-790-2	Suspension Ring	1	84	990-012-0	O-Ring (P12.5)	1
14	187-107-1	Throttle Trigger	1	49	944-203-0	Back-up Ring (3.1 x 5 x 1)	1	85	990-205-0	O-Ring (JW1516-5)	1
15	185-091-7	Air Inlet Bushing	1	50	944-013-0	Back-up Ring (P12)	1	86	990-334-0	O-Ring (JW1530-24)	1
16	187-210-1	Reverse Valve	1	51	945-032-0	Allen Head Bolt (M4 x 32)	4	87	990-621-0	O-Ring (3.8 x 1.8 x 1.0)	1
17	185-211-1	Reverse Valve Bushing	1	52	945-120-0	Allen Head Bolt (M5 x 20)	1	88	990-900-0	O-Ring (SNS-2)	2
18	023-212-4	Reverse Lever	1	53	945-949-0	Hexagon Round Head Bolt (M5 x 6)	2	89	990-905-0	O-Ring (SNS-7)	1
19	054-220-1	Reverse Lever Notch	1	54	952-006-0	Allen Head Dog Point Screw (M3 x 6)	1	90	990-912-0	O-Ring (SNS-14)	1
20	187-222-1	Reverse Valve Setter	1	55	952-108-0	Allen Head Dong Point Screw (M4 x 8)	1	91	990-914-0	O-Ring (SNS-16)	1
21	193-285-6	Rear Plate	1	56	954-005-0	Allen Head Cone Point Screw (M3 x 5)	1	92	990-918-0	O-Ring (SNS-20)	1
22	029-286-7	Cylinder	1	57	961-012-0	Flat Washer (5)	2	93	990-919-0	O-Ring (SNS-22)	1
23	193-287-6	Rotor	1	58	965-006-0	Heli-Sert (M4 x 1.5D)	4	94	990-921-0	O-Ring (SNS-22.4)	1
24	193-288-9	Blade (PC)	6	59	965-011-0	Heli-Sert (M5 x 1.5D)	4	95	990-923-0	O-Ring (SNS-26)	1
25	185-289-7	Front Plate	1	60	965-073-0	Heli-Sert (UNF5/8 N6)	1	96	850-435-1	Cable Cover Assembly	1
26	193-291-6	Rear Plate Spacer	1	61	969-449-0	Pin (G) (3 x 6)	1	97	850-434-1	Spacer (20.5 x 24 x 1.5)	1
27	193-439-6	Front Casing	1	62	970-013-0	Pin (H) (1.5 x 4)	1	98	909-753-0	Solenoid Valve Assembly	1
28	181-901-1	Liner Rear Plate	1	63	970-204-0	Pin (H) (3 x 6)	3	99	909-754-0	LED Lump Assembly	1
29	174-902-2	Liner	1	64	972-166-0	Roller Pin (5 x 16)	4	100	909-751-0	Joint Cable Assembly	1
30	181-319-0	Anvil	1	65	973-016-0	Roll Pin (2 x 16)	1				
31	194-440-0	Driving Blade	2	66	973-066-0	Roll Pin (2.5 x 6)	1				
32	174-904-2	Liner Front Plate	1	67	973-110-0	Roll Pin (3 x 10)	2				
33	194-905-0	Liner Casing	1	68	973-114-0	Roll Pin (3 x 14)	2				
34	194-906-0	Liner Casing Setter	1	69	973-340-0	Roll Pin (6 x 10)	1				
35	174-907-2	Relief Valve Spindle	1	70	976-025-0	Spring (3 x 8.5 x 0.5)	1				
36	174-970-2	Relief Valve	1	71	976-114-0	Spring (6 x 18 x 0.55)	1				

ACCESSORIES

102	193-790-6	Suspension Bail	1
103	193-791-6	Suspension Receiver	2
104	193-792-6	Suspension Plate	2
105	945-112-0	Allen Head Bolt (M5 x 12)	2

FOOTNOTES

AIMCO also offers a complete line of standard & special adapters, bits, sockets and extensions.



When ordering spare parts, please specify tool type, part number and description.

10000 SE PINE, PORTLAND, OR 97216
503-254-6600 FAX 503-255-2615