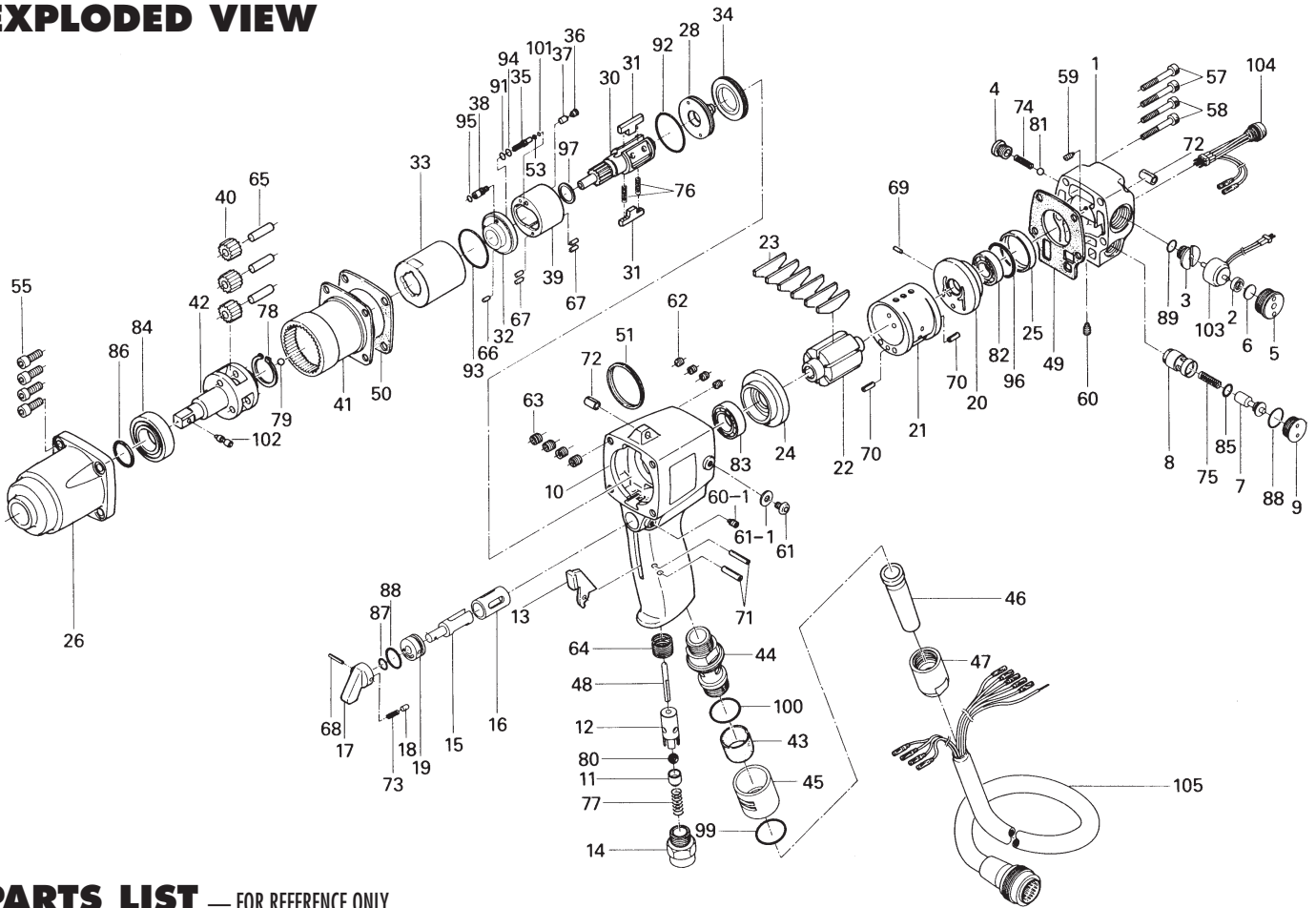


UX120EC OIL-PULSE TOOLS

EXPLODED VIEW



PARTS LIST — FOR REFERENCE ONLY

Index Number	Part Number	Description	Qty.	Index Number	Part Number	Description	Qty.	Index Number	Part Number	Description	Qty.
1	182-012-7	Head Cover	1	38	194-742-3	Oil Plug	1	75	976-143-0	Spring (7 x 18.5)	1
2	193-120-6	Valve Packing Spacer	1	40	182-470-7	Planet Gear	3	76	976-794-0	Spring (3.8 x 33) (0.5) WPC	2
3	193-147-6	Stop Valve Bushing	1	41	182-465-7	Internal Gear with strain gauges	1	77	977-175-0	Cone Spring (7.5 x 10.3 x 22)	1
4	193-148-6	Stop Valve over	1	42	891-344-1	Socket Spindle (P)	1	78	979-122-0	Outer Snap Ring (25)	1
5	193-149-6	Stop Valve Plug	1	43	193-099-7	Filter	1	79	981-006-0	Ball (1/4)	1
6	193-872-6	Valve Packing	1	44	193-780-6	Silencer	1	80	981-208-0	Ball (5/16)	1
7	175-254-9	Shut-Off Valve	1	45	193-782-6	Silencer Cover	1	81	981-024-0	Polyurethane Ball (5)	1
8	182-253-7	Shut-Off Valve Bushing	1	46	182-562-8	Stopper	1	82	982-404-0	Ball Bearing (EE-5)	1
9	195-927-2	Shut-Off Valve Cover	1	47	182-018-8	Cap	1	83	982-905-0	Ball Bearing (6904)	1
10	182-025-6	Casing	1	48	193-104-6	Valve Rod	1	84	982-204-0	Ball Bearing (6204)	1
11	188-100-1	Valve	1	49	182-853-7	Head Cover Packing	1	85	990-005-0	O-Ring (P7)	1
12	063-102-3	Valve Bushing	1	50	194-867-6	Front Casing Packing	1	86	990-018-0	O-Ring (P20)	1
13	187-107-1	Throttle Trigger	1	51	004-790-2	Suspension Ring	1	87	990-205-0	O-Ring (JW1516-5)	1
14	185-091-7	Air Inlet Bushing	1	53	944-002-0	Back-up Ring (2.6 x 4.5 x 1)	2	88	990-914-0	O-Ring (SNS-16)	4
15	199-210-1	Reverse Valve	1	54	944-215-0	Back-up Ring (16 x 19.9 x 1.5)	1	89	990-905-0	O-Ring (SNS-7)	1
16	199-211-1	Reverse Valve Bushing	1	55	945-224-0	Allen Head Bolt (M6 x 24)	4	91	990-973-0	O-Ring (SNS-5) (NOK)	1
17	023-212-4	Reverse Lever	1	57	945-114-0	Allen Head Bolt (M5 x 14)	2	92	990-607-0	O-Ring (34 x 2.3)	1
18	054-220-1	Reverse Lever Notch	1	58	945-135-0	Allen Head Bolt (M5 x 35)	2	93	990-338-0	O-Ring (JW1530-28)	1
19	187-222-1	Reverse Valve Setter	1	59	952-105-0	Allen Head Dog Point Screw (M4 x 5)	1	94	990-900-0	O-Ring (SNS-2)	1
20	194-285-6	Rear Plate	1	60	954-005-0	Allen Head Cone Point Screw (M3 x 5)	1	95	990-971-0	O-Ring (SNS-3) (NOK)	1
21	063-286-7	Cylinder	1	60-1	952-108-0	Allen Head Dog Point Screw (M4 x 8)	1	96	990-929-0	O-Ring (SNS-36)	1
22	194-287-6	Rotor	1	61	945-949-0	Hexagon Round Head Bolt (M5 x 6)	2	97	995-516-0	Teflon Seal (P16GC)	1
23	182-288-7	Blade (Teflon coated)	6	61-1	961-012-0	Flat Washer (5)	2	99	990-919-0	O-Ring (SNS-22)	1
24	194-289-6	Front Plate	1	62	965-011-0	Heli-Sert (M5 x 1.5D)	4	100	990-921-0	O-Ring (SNS-22.4)	1
25	182-291-7	Rear Plate Spacer	1	63	965-021-0	Heli-Sert (M6 x 1.5D)	4	101	990-320-0	O-Ring (ARP568-003)	1
26	182-439-7	Front Casing	1	64	965-073-0	Heli-Sert (UNF5/8) (N6)	1	102	891-304-1	Socket Retainer Pin Assembly	1
28	182-901-7	Rear Liner Plate	1	65	972-264-0	Roller Pin (7 x 24.5)	3	103	909-753-0	Solenoid Valve Assembly	1
29	194-902-3	Liner	1	66	969-450-0	Pin (G) (3 x 8)	1	104	909-754-0	LED Assembly	1
30	182-319-7	Anvil	1	67	970-206-0	Pin (H) (3 x 8)	4	105	909-758-0	Joint Cable Assembly	1
31	194-440-3	Driving Blade	2	68	973-016-0	Roll Pin (2 x 16)	1				
32	194-904-3	Front Liner Plate	1	69	973-066-0	Roll Pin (2.5 x 6)	1				
33	194-905-3	Liner Casing	1	70	973-212-0	Roll Pin (4 x 12)	2				
34	194-906-3	Liner Casing Cover	1	71	973-116-0	Roll Pin (3 x 16)	2				
35	194-907-3	Relief Valve Spindle	1	72	973-340-0	Roll Pin (6 x 10)	2				
36	194-969-2	Relief Valve Plug	1	73	976-025-0	Spring (3 x 8.5)	1				
37	194-970-2	Relief Valve	1	74	976-241-0	Spring (4.3 x 18)	1				

ACCESSORIES

FOOTNOTES

AIMCO also offers a complete line of standard & special adapters, bits, sockets and extensions.



AIMCO

When ordering spare parts, please specify tool type, part number and description.

10000 SE PINE, PORTLAND, OR 97216
503-254-6600 FAX 503-255-2615