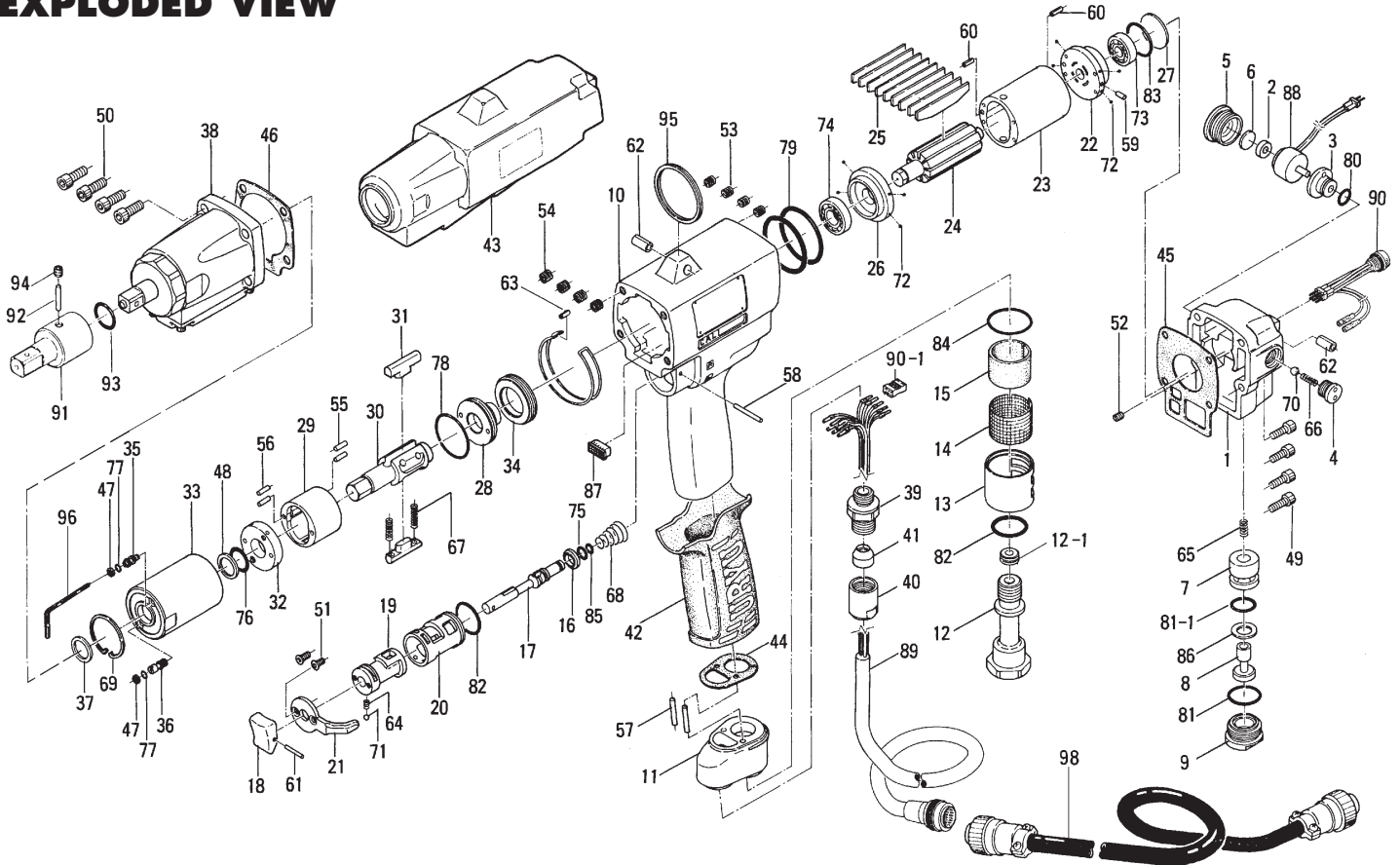


EXPLODED VIEW



PARTS LIST — FOR REFERENCE ONLY

Index Number	Part Number	Description	Qty.	Index Number	Part Number	Description	Qty.	Index Number	Part Number	Description	Qty.
1	149-012-2	Head Cover	1	34	190-906-6	Liner Casing Setter	1	68	977-160-0	Cone Spring (7.4 x 14 x 20)	1
2	193-120-6	Valve Packing Spacer	1	35	174-907-8	Relief Valve Spindle	1	69	978-282-0	Snap Ring (28 x 1)	1
3	193-147-6	Stop Valve Bushing	1	36	178-742-0	Oil Plug	1	70	981-024-0	Ball (5)	1
4	193-148-6	Stop Valve Cover	1	37	178-327-9	Anvil Front Spacer	1	71	981-002-0	Ball (1/8)	1
5	193-149-6	Stop Valve Plug	1	38	850-471-1	Sensor Casing Assembly	1	72	981-045-0	Ball (1.5)	8
6	193-872-6	Valve Packing	1	39	149-079-5	Connector	1	73	982-401-0	Ball Bearing (EE-2)	1
7	149-253-5	Shut-Off Valve Bushing	1	40	149-018-5	Cap	1	74	982-402-0	Ball Bearing (EE-3)	1
8	149-254-5	Shut-Off Valve	1	41	149-562-6	Stopper	1	75	990-002-0	O-Ring (P4)	1
9	149-927-5	Shut-Off Valve Cover	1	42	173-842-0	Handle Cover	1	76	990-152-0	O-Ring (P12) (NTN)	1
10	149-025-4	Casing	1	43	149-840-4	Handle Protector	1	77	990-320-0	O-Ring (ARP568-003)	2
11	149-035-5	Casing Connector	1	44	149-850-5	Casing Connector Packing	1	78	990-329-0	O-Ring (JW1530-19)	1
12	149-091-9	Air Inlet Bushing	1	45	149-853-2	Head Cover Packing	1	79	990-337-0	O-Ring (JW1530-27)	2
12-1	149-093-4	Air Inlet Bushing Screw	1	46	149-867-2	Front Casing Packing	1	80	990-905-0	O-Ring (SNS-7)	1
13	173-780-5	Exhaust Stack	1	47	944-002-0	Supporting Ring (2.6 x 4.5 x 1)	2	81	990-914-0	O-Ring (SNS-16)	1
14	173-042-0	Silencer	1	48	944-214-0	Supporting Ring (12 x 15.9 x 1)	1	81-1	990-910-0	O-Ring (SNS 12.5)	1
15	173-835-0	Filter	1	49	945-014-0	Allen Head Bolt (M4 x 14)	4	82	990-916-0	O-Ring (SNS-18)	2
16	173-100-0	Valve	1	50	945-117-0	Allen Head Bolt (M5 x 16)	4	83	990-918-0	O-Ring (SNS-20)	1
17	173-104-0	Valve Rod	1	51	948-423-0	Allen Flush Head Screw (M3 x 6)	2	84	990-921-0	O-Ring (SNS-22.4)	1
18	149-107-2	Valve Lever	1	52	954-005-0	Allen Head Dog Point Screw (M3 x 5)	1	85	990-972-0	O-Ring (SNS-4) (NOK)	1
19	151-210-0	Reverse Valve	1	53	965-006-0	Heli-Sert (M4 x 1.5D)	4	86	996-418-0	Packing (15 x 9 x 1)	1
20	151-211-0	Reverse Valve Bushing	1	54	965-011-0	Heli-Sert (M5 x 1.5D)	4	87	909-918-0	Socket (DF11-12DC-2C)	1
21	173-212-0	Reverse Lever	1	55	970-130-0	Pin (H) (2.45 x 4.5)	2	88	909-915-0	Solenoid Valve Assembly	1
22	149-285-2	Rear Plate	1	56	970-135-0	Pin (H) (2.45 x 11)	2	89	909-927-0	Joint Cable Assembly	1
23	149-286-4	Cylinder	1	57	970-208-0	Pin (H) (3 x 10)	2	90	909-920-0	LED Lamp Assembly	1
24	174-287-8	Rotor	1	58	971-125-0	Pin (2 x 25)	1	90-1	909-733-0	Connector (RF-06)	1
25	174-288-8	Blade	9	59	973-006-0	Roll Pin (2 x 6)	1				
26	149-289-2	Front Plate	1	60	973-008-0	Roll Pin (2 x 8)	2				
27	193-291-6	Rear Plate Spacer	1	61	973-014-0	Roll Pin (2 x 14)	1				
28	196-901-4	Rear Liner Plate	1	62	973-340-0	Roll Pin (6 x 10)	2				
29	190-902-6	Liner	1	63	973-007-0	Roll Pin (2 x 7)	1				
30	149-319-4	Anvil	1	64	976-006-0	Spring (3 x 5) (0.4)	1				
31	190-440-6	Driving Blade	2	65	976-396-0	Spring (4.6 x 15) (0.55)	1				
32	178-904-8	Front Liner Plate	1	66	976-240-0	Spring (4.3 x 14) (0.4)	1				
33	178-905-9	Liner Casing	1	67	976-791-0	Spring (3.3 x 21) (0.4) WPC	2				

ACCESSORIES

91	904-090-0	Extension Bar (3/8 x 43)	1
92	971-214-0	Pin (3 x 14)	1
93	990-011-0	O-Ring (P12)	1
94	953-104-0	Allen Head Flat Point Screw (M4 x 4)	1
95	004-790-2	Suspension Ring	1
96	939-091-0	Allen Wrench (1.5mm)	1
98	909-921-0	Sensor Cable Assembly (3F5)	1

FOOTNOTES

Note: Liner Casing Assembly = 149-911-4

AIMCO also offers a complete line of standard & special adapters, bits, sockets and extensions.



AIMCO

When ordering spare parts, please specify tool type, part number and description.

10000 SE PINE, PORTLAND, OR 97216
503-254-6600 FAX 503-255-2615