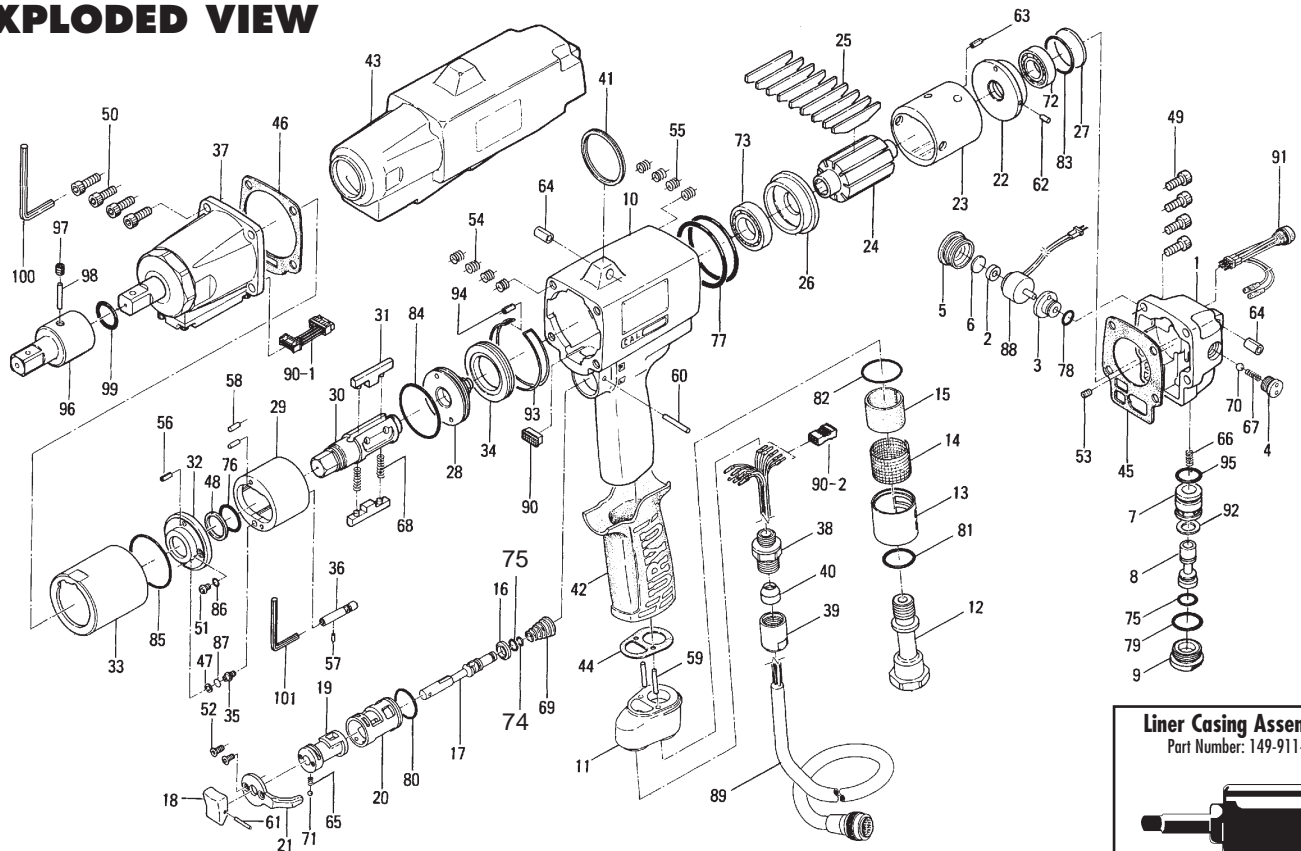


EXPLODED VIEW



Liner Casing Assembly
Part Number: 149-911-7



PARTS LIST — FOR REFERENCE ONLY

Index Number	Part Number	Description	Qty.
1	149-012-7	Head Cover	1
2	193-120-6	Valve Packing Spacer	1
3	193-147-6	Stop Valve Bushing	1
4	193-148-6	Stop Valve Cover	1
5	193-149-6	Stop Valve Plug	1
6	193-872-6	Valve Packing	1
7	149-253-8	Shut-Off Valve Bushing	1
8	149-254-8	Shut-Off Valve	1
9	149-927-5	Shut-Off Valve Cover	1
10	149-025-0	Handle	1
11	149-035-7	Handle Connector	1
12	149-091-7	Air Inlet Bushing	1
13	163-780-3	Exhaust Stack	1
14	163-042-3	Silencer	1
15	163-835-3	Filter (K50)	1
16	163-100-3	Valve	1
17	163-104-3	Valve Rod	1
18	177-107-5	Valve Lever	1
19	163-210-3	Reverse Valve	1
20	163-211-3	Reverse Valve Bushing	1
21	163-212-3	Reverse Valve Lever	1
22	163-285-3	Rear Plate	1
23	163-286-3	Cylinder	1
24	163-287-3	Rotor	1
25	163-288-3	Blade	9
26	163-289-3	Front Plate	1
27	182-291-7	Rear Plate Spacer	1
28	194-901-6	Rear Liner Plate	1
29	166-902-3	Liner	1
30	149-319-7	Anvil	1
31	194-440-7	Driving Blade	2
32	175-904-7	Front Liner Plate	1
33	194-905-6	Liner Casing	1
34	194-906-4	Liner Casing Setter	1
35	175-907-9	Relief Valve Spindle	1
36	163-970-3	Relief Valve	1

Index Number	Part Number	Description	Qty.
37	850-473-1	Sensor Casing Assembly	1
38	149-079-5	Connector	1
39	149-018-5	Cap	1
40	149-562-6	Stopper	1
41	004-790-2	Suspension Ring	1
42	149-842-7	Handle Cover	1
43	149-840-7	Handle Protector	1
44	149-850-7	Handle Connector Packing	1
45	149-853-7	Head Cover Packing	1
46	149-867-7	Front Casing Packing	1
47	944-205-0	Supporting Ring (5.1 x 7 x 1)	1
48	944-215-0	Supporting Ring (16 x 19.9 x 1.5)	1
49	945-117-0	Allen Head Bolt (M5 x 16)	4
50	945-218-0	Allen Head Bolt (M6 x 8)	4
51	945-942-0	Hexagon Round Head Bolt (M4 x 6)	1
52	948-423-0	Allen Flush Head Screw (M3 x 6)	2
53	954-005-0	Allen Head Cone Point Screw (M3 x 5)	1
54	965-011-0	Heli-Sert (M5 x 1.5D)	4
55	965-021-0	Heli-Sert (M6 x 1.5D)	4
56	970-450-0	Pin (G) (3 x 8)	1
57	970-093-0	Pin (H) (2 x 6)	1
58	970-206-0	Pin (H) (3 x 8)	4
59	970-208-0	Pin (H) (3 x 10)	2
60	971-126-0	Pin (2 x 26)	1
61	973-014-0	Roll Pin (2 x 14)	1
62	973-066-0	Roll Pin (2.5 x 6)	2
63	973-212-0	Roll Pin (4 x 12)	1
64	973-340-0	Roll Pin (6 x 10)	2
65	976-006-0	Spring (3 x 5) (04)	1
66	976-274-0	Spring (5.2 x 15) (0.55)	1
67	976-240-0	Spring (4.3 x 14) (04)	1
68	976-453-0	Spring (4.5 x 34.5) (0.6)	2
69	977-254-0	Cone Spring (10 x 15 x 16)	1
70	981-024-0	Ball (5)	1
71	981-002-0	Ball (1/8)	1
72	982-404-0	Ball Bearing (EE-5)	1

Index Number	Part Number	Description	Qty.
73	982-905-0	Ball Bearing (6904)	1
74	990-002-0	O-Ring (P4)	1
75	990-004-0	O-Ring (P6)	2
76	990-156-0	O-Ring (P16) (NTN)	1
77	990-316-0	O-Ring (ARP568-035)	2
78	990-905-0	O-Ring (SNS-7)	1
79	990-914-0	O-Ring (SNS-16)	1
80	990-916-0	O-Ring (SNS-18)	1
81	990-918-0	O-Ring (SNS-20)	1
82	990-920-0	O-Ring (SNS-25)	1
83	990-929-0	O-Ring (SNS-36)	1
84	990-930-0	O-Ring (SNS-40)	1
85	990-932-0	O-Ring (SNS-42)	1
86	990-971-0	O-Ring (SNS-3) (NOK)	1
87	990-972-0	O-Ring (SNS-4) (NOK)	2
88	909-915-0	Solenoid Valve Assembly	1
89	909-916-0	Joint Cable Assembly	1
90	909-918-0	Socket (DF11-12DC-2C)	1
90-1	909-995-0	Sensor Cable Connector CP	1
90-2	909-733-0	Connector (RF-06)	1
91	909-920-0	LED Lamp Assembly	1
92	996-418-0	Packing (15 x 9 x 1)	1
93	149-754-7	Clip Ring	1
94	973-007-0	Roll Pin (2 x 7)	1
95	990-913-0	O-Ring (SNS-15)	1

ACCESSORIES

96	904-190-0	Extension Bar (1/2 x 58)	1
97	953-205-0	Allen Head Flat Point Screw (M5 x 5)	1
98	971-220-0	Pin (3 x 20)	1
99	990-018-0	O-Ring (P20)	1
100	939-018-0	Allen Wrench (5mm)	1
101	939-109-0	Allen Wrench (2mm)	1

FOOTNOTES

When ordering spare parts, please specify tool type, part number and description.

10000 SE PINE, PORTLAND, OR 97216
503-254-6600 FAX 503-255-2615

AIMCO also offers a complete line of standard & special adapters, bits, sockets and extensions.



AIMCO