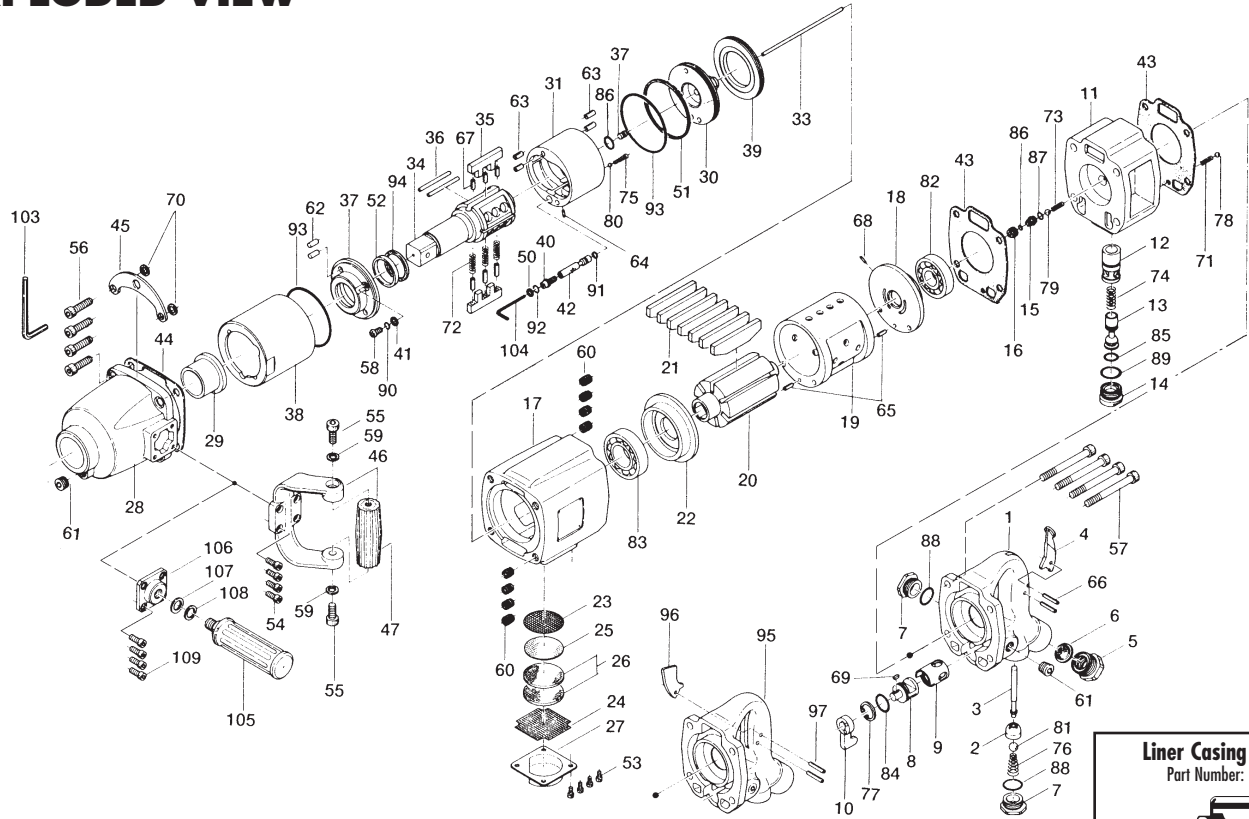
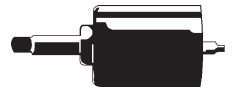


UXR-T2400S OIL-PULSE TOOLS

EXPLODED VIEW



Liner Casing Assembly
Part Number: 165-911-0



PARTS LIST — FOR REFERENCE ONLY

Index Number	Part Number	Description	Qty.	Index Number	Part Number	Description	Qty.	Index Number	Part Number	Description	Qty.
1	176-010-5	Handle (OUT)	1	38	176-905-5	Liner Casing	1	76	977-257-0	Cone Spring (10 x 15 x 25)	1
2	116-100-0	Valve	1	39	176-906-5	Liner Casing Setter	1	77	979-015-0	Inner Snap Ring (22)	1
3	116-104-0	Valve Rod	1	40	173-907-3	Relief Valve Spindle	1	78	981-005-0	Ball (7/32)	1
4	109-107-1	Valve Lever (OUT)	1	41	188-807-1	Spacer	1	79	981-006-0	Ball (1/4)	1
5	518-091-6	Air Inlet Bushing	1	42	165-970-0	Relief Valve	1	80	981-245-0	Ball (4.5mm)	1
6	573-835-9	Filter	1	43	103-850-0	Handle Packing	2	81	981-032-0	Polyurethane Ball (7/16)	1
7	103-243-0	Regulator Valve Cover	2	44	176-867-5	Front Casing Packing	1	82	982-204-0	Ball Bearing (6204)	1
8	176-210-5	Reverse Valve	1	45	176-794-5	Suspension Plate	1	83	982-206-0	Ball Bearing (6206)	1
9	176-211-5	Reverse Valve Bushing	1	46	116-896-0	Dead Handle Assembly	1	84	990-916-0	O-Ring (SNS-18)	1
10	103-212-0	Reverse Lever	1	47	116-720-0	Dead Handle	1	85	990-011-0	O-Ring (P12)	1
11	165-026-0	Separator	1	48	116-722-0	Dead Handle Connector	1	86	990-901-0	O-Ring (SNS-3)	2
12	170-253-0	Shut-Off Valve Bushing	1	50	944-208-0	Supporting Ring (8.1 x 10 x 1)	1	87	990-907-0	O-Ring (SNS-9)	1
13	170-254-0	Shut-Off Valve	1	51	944-077-0	Supporting Ring (77 x 80 x 1)	1	88	990-918-0	O-Ring (SNS-20)	2
14	170-927-0	Shut-Off Valve Cover	1	52	944-230-0	Supporting Ring (33.9 x 39.6 x 1.5)	1	89	990-919-0	O-Ring (SNS-22)	1
15	175-968-9	Pilot Valve Retainer	1	53	945-008-0	Allen Head Bolt (M4 x 8)	4	90	990-949-0	O-Ring (P3 NOK)	1
16	175-019-9	Valve Cover	1	54	945-114-0	Allen Head Bolt (M5 x 14)	4	91	990-973-0	O-Ring (SNS-5 NOK)	1
17	176-025-5	Casing	1	55	945-318-0	Allen Head Bolt (M8 x 18)	2	92	990-977-0	O-Ring (SNS-7 NOK)	1
18	176-285-5	Rear Plate	1	56	945-328-0	Allen Head Bolt (M8 x 28)	4	93	990-944-0	O-Ring (SNS-75)	2
19	176-286-5	Cylinder	1	57	945-378-0	Allen Head Bolt (M8 x 80)	4	94	995-501-0	Teflon Seal (ARI0400-P34GG)	1
20	165-287-0	Rotor	1	58	945-960-0	Hexagon Round Head Bolt (M6 x 8)	1	95	176-010-9	Handle (IN)	1
21	176-288-5	Blade	7	59	961-014-0	Flat Washer (8)	2	96	085-107-1	Valve Lever (IN)	1
22	176-289-5	Front Plate	1	60	965-041-0	Heli-Sert (M8 x 1.5D)	8	98	973-124-0	Roll Pin (3 x 24)	2
23	175-021-2	Exhaust Plate	1	61	966-101-0	Allen Head Plug (1/4)	2				
24	175-042-2	Silencer	1	62	969-465-0	Pin (G) (6 x 12)	2				
25	175-099-2	Noise Filter	1	63	970-508-0	Pin (H) (6 x 8)	4				
26	175-835-2	Filter	2	64	972-009-0	Roller (2 x 9)	1				
27	175-782-2	Exhaust Cover	1	65	973-214-0	Roll Pin (4 x 14)	2				
28	176-439-5	Front Casing	1	66	973-222-0	Roll Pin (4 x 22)	2				
29	176-328-5	Anvil Bushing	1	67	973-308-0	Roll Pin (5 x 8)	6				
30	165-901-0	Rear Liner Plate	1	68	973-108-0	Roll Pin (3 x 8)	1				
31	165-902-0	Liner	1	69	974-008-0	Key (3 x 8)	1				
32	173-546-3	Piston	1	70	975-051-0	Spacer (14 x 10 x 1)	2				
33	165-130-0	Operating Rod	1	71	976-076-0	Spring (5 x 19 x 0.6)	1				
34	176-319-5	Anvil	1	72	976-798-0	Spring (7.3 x 56 x 0.9) WPC	3				
35	176-440-5	Driving Blade	2	73	976-275-0	Spring (6.7 x 12 x 0.7)	1				
36	176-974-5	Roller (4.4 x 55)	2	74	976-297-0	Spring (10.5 x 32 x 1.0)	1				
37	165-904-0	Front Liner Plate	1	75	977-035-0	Cone Spring (4.6 x 5.8 x 12.5)	1				

ACCESSORIES

103	939-007-0	Allen Wrench (6mm)	1
104	939-111-0	Allen Wrench (3mm)	1
105	568-720-2	Dead Handle (A)	1
106	855-020-1	Dead Handle Plate	1
107	962-054-0	Spring Washer (2-1/25)	1
108	975-127-0	Spacer (20 x 13 x 1)	1
109	945-114-0	Allen Head Bolt (M5 x 14)	1

FOOTNOTES

When ordering spare parts, please specify tool type, part number and description.

10000 SE PINE, PORTLAND, OR 97216
503-254-6600 FAX 503-255-2615

AIMCO also offers a complete line of standard & special adapters, bits, sockets and extensions.

