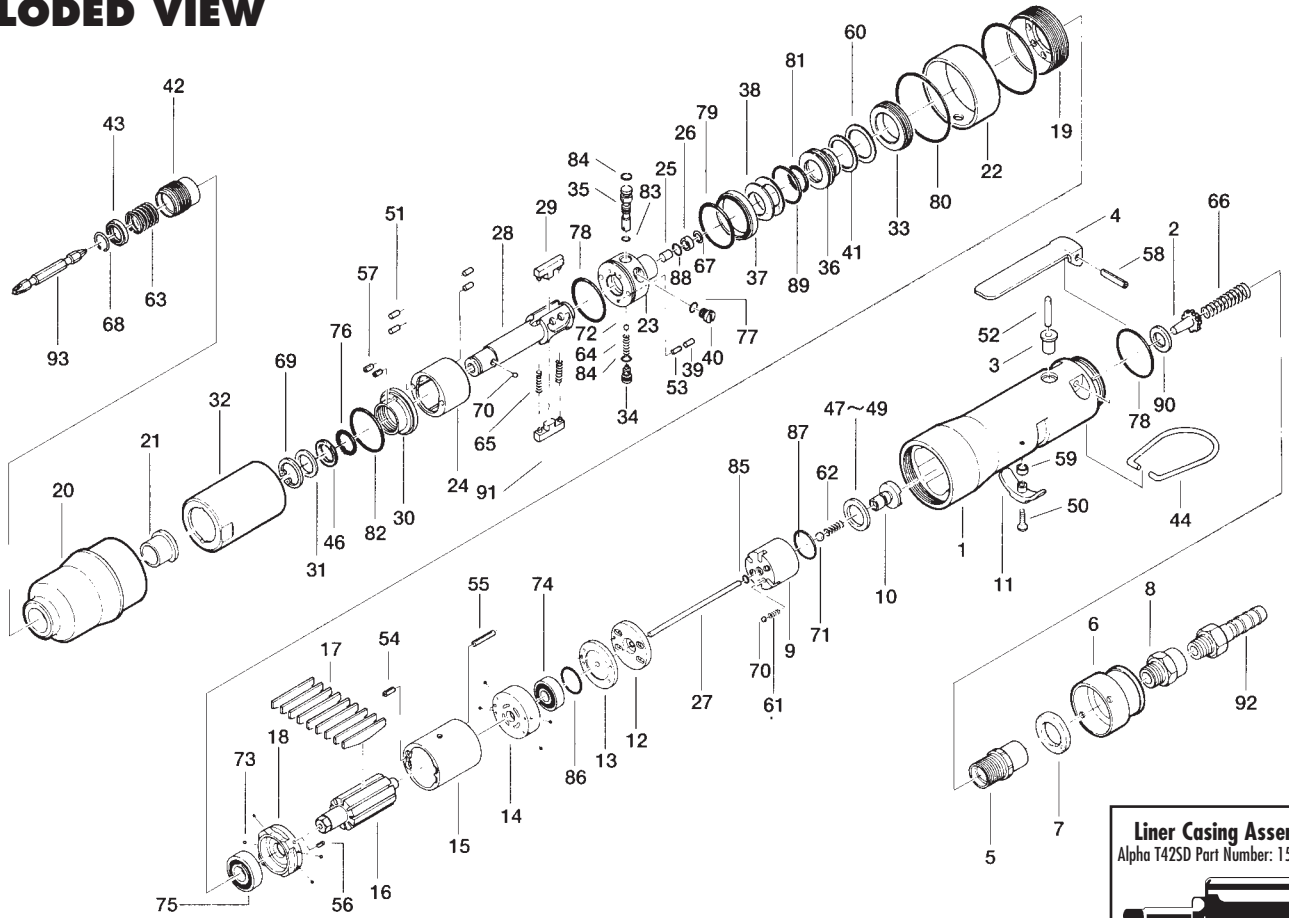


EXPLODED VIEW



PARTS LIST — FOR REFERENCE ONLY

Index Number	Part Number	Description	Qty.	Index Number	Part Number	Description	Qty.	Index Number	Part Number	Description	Qty.
1	155-025-2	Casing	1	33	190-906-6	Liner Casing Cover	1	66	977-155-0	Cone Spring (7 x 10 x 35)	1
2	259-100-0	Valve	1	34	150-907-5	Relief Valve Spindle	1	67	978-090-0	Snap Ring (9 x 0.7)	1
3	161-103-3	Valve Rod Bushing	1	35	150-970-7	Relief Valve	1	68	978-117-0	Snap Ring (1.17 x 1)	1
4	196-107-7	Valve Lever	1	36	150-972-6	Accumulator	1	69	979-317-0	Snap Ring (IRTW-17)	1
5	461-097-6	Air Inlet Connector	1	37	150-973-5	Liner Casing Spacer	1	70	981-002-0	Ball (1/8)	2
6	161-782-3	Exhaust Cover	1	38	155-167-2	Belleville Spring (609)	2	71	981-003-0	Ball (5/32)	1
7	472-835-7	Filter	1	39	150-064-5	Plug	1	72	981-225-0	Ball (2.5mm)	1
8	480-091-8	Air Inlet Bushing	1	40	142-742-4	Oil-Plug	1	73	981-045-0	Ball (1.5mm)	8
9	155-253-2	Shut-Off Valve Bushing	1	41	150-682-9	Buffer	1	74	982-401-0	Ball Bearing (EE2)	1
10	155-254-2	Shut-Off Valve	1	42	011-351-1	Bit Sleeve	1	75	982-402-0	Ball Bearing (EE3)	1
11	161-212-3	Reverse Lever	1	43	011-352-1	Bit Spacer	1	76	990-152-0	O-Ring (P12/HTN)	1
12	155-213-2	Reverse Valve Spacer	1	44	010-790-1	Suspension Ring	1	77	990-971-0	O-Ring (SNS-3/NOK)	1
13	155-291-2	Rear Plate Spacer	1	46	944-213-0	Supporting Ring (12 x 16 x 1)	1	78	990-329-0	O-Ring (JW1530-19)	2
14	154-285-7	Rear Plate	1	47	944-216-0	Supporting Ring (14 x 20 x 1.85) (Standard)	1	79	990-331-0	O-Ring (JW1530-21)	1
15	154-286-7	Cylinder	1	48	944-217-0	Supporting Ring (14 x 20 x 1.8)	1	80	990-333-0	O-Ring (JW1530-23)	2
16	155-287-2	Rotor	1	49	944-218-0	Supporting Ring (14 x 20 x 1.9)	1	81	990-440-0	O-Ring (No.1-JASO-1014)	1
17	155-288-2	Blade (PC)	9	50	948-426-0	Allen Head Bolt (M3 x 12)	1	82	990-605-0	O-Ring (25 x 1.45)	1
18	161-289-3	Front Plate	1	51	970-130-0	Pin (H) (2.45 x 4.5)	4	83	990-623-0	O-Ring (4.6 x 3.0 x 0.8)	1
19	177-036-5	Hammer Casing Connector	1	52	970-220-0	Pin (H) (3 x 20)	1	84	990-625-0	O-Ring (5.5 x 3.5 x 1.0)	2
20	152-439-6	Front Casing	1	53	972-011-0	Roller Pin (1.5 x 4.8)	1	85	990-900-0	O-Ring (SNS-2)	1
21	190-328-6	Anvil Bushing	1	54	973-001-0	Roll Pin (1.5 x 6)	1	86	990-914-0	O-Ring (SNS-16)	1
22	152-384-6	Hammer Casing Band	1	55	973-004-0	Roll Pin (1.5 x 20)	1	87	990-916-0	O-Ring (SNS-18)	1
23	155-901-2	Rear Liner Plate	1	56	973-005-0	Roll Pin (2 x 5)	1	88	990-964-0	O-Ring (ARPS68-008/NOK)	1
24	177-902-5	Liner	1	57	973-040-0	Roll Pin (1.5 x 5)	2	89	990-979-0	O-Ring (SNS-20/NOK)	1
25	150-546-5	Piston	1	58	973-124-0	Roll Pin (3 x 24)	1	90	996-424-0	Packing (16 x 9 x 2)	1
26	150-557-5	Piston Bushing	1	59	975-004-0	Spacer (5.5 x 3.1 x 2.7)	1				
27	188-130-9	Piston Rod (2.1 x 77.0)	1	60	975-788-0	Adjusting Spacer (22 x 18.5 x 1)	1				
28	177-350-7	Driver Anvil	1	61	976-006-0	Spring (3 x 5 x 0.4)	1				
29	177-440-5	Driving Blade	2	62	976-314-0	Spring (4.3 x 11 x 0.4)	1				
30	150-904-5	Front Liner Plate	1	63	976-327-0	Spring (13.5 x 11 x 0.9)	1				
31	150-807-6	Liner Casing Spacer	1	64	976-395-0	Spring (2.8 x 6.9 x 0.3)	1				
32	150-905-5	Liner Casing	1	65	976-791-0	Spring (3.3 x 21 x 0.4) WPC	2				

ACCESSORIES

91	939-109-0	Allen Wrench 2 (64 x 64)	1
92	940-114-0	Air Hose Nipple (NPT1/4 x 3/8)	1
93	916-810-0	(W) Bit No.2 x 75 (6.35H)	1

FOOTNOTES

AIMCO also offers a complete line of standard & special adapters, bits, sockets and extensions.



When ordering spare parts, please specify tool type, part number and description.
10000 SE PINE, PORTLAND, OR 97216
503-254-6600 FAX 503-255-2615