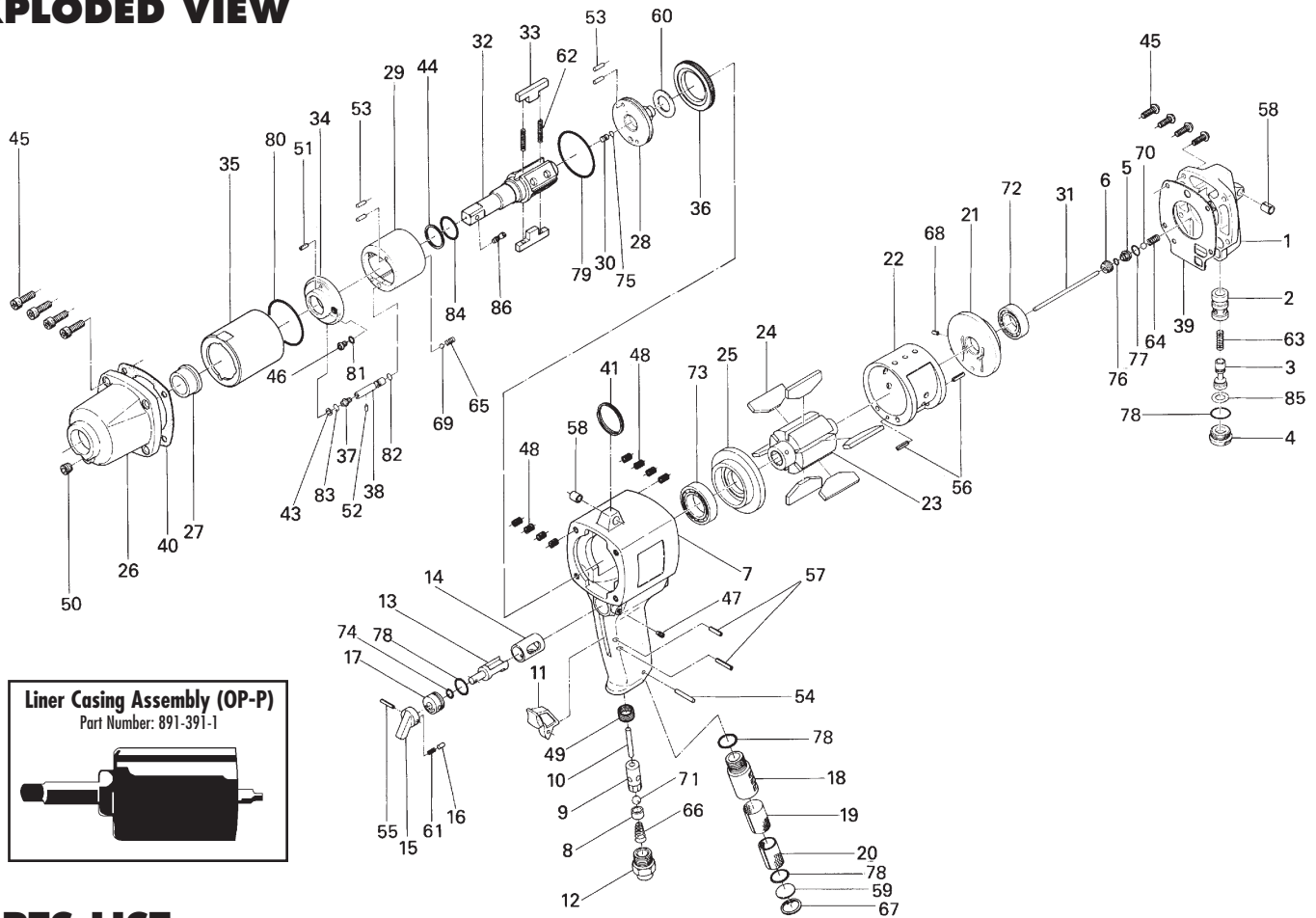
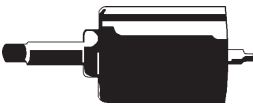


UX-T800 OIL-PULSE TOOLS [TORQUE CONTROL]

EXPLODED VIEW



Liner Casing Assembly (OP-P)
Part Number: 891-391-1



PARTS LIST — FOR REFERENCE ONLY

| Index Number | Part Number | Description | Qty. | Index Number | Part Number | Description | Qty. | Index Number | Part Number | Description | Qty. |
|--------------|-------------|------------------------|------|--------------|-------------|-------------------------------------|------|--------------|-------------|-------------------------------|------|
| 1 | 167-012-4 | Head Cover | 1 | 32 | 891-310-1 | Anvil (OP-P) | 1 | 64 | 976-275-0 | Spring (6.7 x 12) | 1 |
| 2 | 174-253-2 | Shut-Off Valve Bushing | 1 | 33 | 194-440-2 | Driving Blade | 2 | 65 | 977-008-0 | Cone Spring (3.2 x 3.8 x 7) | 1 |
| 3 | 174-254-2 | Shut-Off Valve | 1 | 34 | 167-904-4 | Front Liner Plate | 1 | 66 | 977-175-0 | Cone Spring (7.5 x 10.3 x 22) | 1 |
| 4 | 175-927-9 | Shut-Off Valve Cover | 1 | 35 | 194-905-2 | Liner Casing | 1 | 67 | 979-318-0 | Inner Snap Ring (IRTW-18) | 1 |
| 5 | 175-968-9 | Pilot Valve Retainer | 1 | 36 | 194-906-2 | Liner Casing Setter | 1 | 68 | 980-008-0 | Round Head Notch (2.4) | 1 |
| 6 | 175-019-9 | Valve Cover | 1 | 37 | 175-907-9 | Relief Valve Spindle | 1 | 69 | 981-002-0 | Ball (1/8) | 1 |
| 7 | 167-025-4 | Handle | 1 | 38 | 167-970-4 | Relief Valve | 1 | 70 | 981-006-0 | Ball (1/4) | 1 |
| 8 | 186-100-1 | Valve | 1 | 39 | 167-853-4 | Head Cover Packing | 1 | 71 | 981-208-0 | Ball (5/16) Black | 1 |
| 9 | 063-102-3 | Valve Bushing | 1 | 40 | 194-867-2 | Front Packing | 1 | 72 | 982-403-0 | Ball Bearing (EE-4) | 1 |
| 10 | 193-104-6 | Valve Rod | 1 | 41 | 004-790-2 | Suspension Ring | 1 | 73 | 982-950-0 | Ball Bearing (16002) | 1 |
| 11 | 187-107-1 | Throttle Trigger | 1 | 43 | 944-205-0 | Back-Up Ring (5.1 x 7 x 1) | 1 | 74 | 990-205-0 | O-Ring (JW1516-5) | 1 |
| 12 | 185-091-7 | Air Inlet Bushing | 1 | 44 | 944-214-0 | Supporting Ring (12 x 15.9 x 1.5) | 1 | 75 | 990-320-0 | O-Ring (APR568-003) | 1 |
| 13 | 187-210-1 | Reverse Valve | 1 | 45 | 945-117-0 | Allen Head Bolt (M5 x 16) | 8 | 76 | 990-901-0 | O-Ring (SNS-3) | 1 |
| 14 | 185-211-1 | Reverse Valve Bushing | 1 | 46 | 945-942-0 | Hexagon Round Head Bolt (M4 x 6) | 1 | 77 | 990-907-0 | O-Ring (SNS-9) | 1 |
| 15 | 023-212-4 | Reverse Lever | 1 | 47 | 952-108-0 | Allen Head Dog Point Screw (M4 x 8) | 1 | 78 | 990-914-0 | O-Ring (SNS-16) | 4 |
| 16 | 054-220-1 | Reverse Lever Notch | 1 | 48 | 965-011-0 | Heli-Sert (M5 x 1.5D) | 8 | 79 | 990-924-0 | O-Ring (SNS-30) | 1 |
| 17 | 187-222-1 | Reverse Valve Setter | 1 | 49 | 965-073-0 | Heli-Sert (UNF5/8) (N6) | 1 | 80 | 990-337-0 | O-Ring (JW1530-27) | 1 |
| 18 | 194-780-4 | Exhaust Stack | 1 | 50 | 966-100-0 | Allen Head Plug (1/8) | 1 | 81 | 990-971-0 | O-Ring (SNS-3) (NOK) | 1 |
| 19 | 194-042-4 | Silencer | 1 | 51 | 969-450-0 | Pin (G) (3 x 8) | 1 | 82 | 990-970-0 | O-Ring (SNS-2) (NOK) | 1 |
| 20 | 194-835-4 | Filter | 1 | 52 | 970-093-0 | Pin (H) (2 x 6) | 1 | 83 | 990-972-0 | O-Ring (SNS-4) (NOK) | 1 |
| 21 | 026-285-7 | Rear Plate | 1 | 53 | 970-206-0 | Pin (H) (3 x 8) | 4 | 84 | 995-512-0 | Teflon Seal (P12) | 1 |
| 22 | 026-286-7 | Cylinder | 1 | 54 | 971-162-0 | Pin (2.5 x 22) | 1 | 85 | 996-418-0 | Packing(15 x 9 x 1) | 1 |
| 23 | 167-287-4 | Rotor | 1 | 55 | 973-016-0 | Roll Pin (2 x 16) | 1 | 86 | 891-300-1 | Socket Pin Assembly (3/8) | 1 |
| 24 | 167-288-5 | Rotor Blade (G K) | 6 | 56 | 973-110-0 | Roll Pin (3 x 10) | 2 | | | | |
| 25 | 194-289-2 | Front Plate | 1 | 57 | 973-114-0 | Roll Pin (3 x 14) | 2 | | | | |
| 26 | 194-439-2 | Front Casing | 1 | 58 | 973-340-0 | Roll Pin (6 x 10) | 2 | | | | |
| 27 | 185-328-2 | Anvil Bushing | 1 | 59 | 975-598-0 | Round Plate (18 x 11) | 1 | | | | |
| 28 | 167-901-4 | Rear Liner Plate | 1 | 60 | 975-780-0 | Adjusting Spacer (21 x 13 x T) | 1 | | | | |
| 29 | 167-902-4 | Liner | 1 | 61 | 976-025-0 | Spring (3 x 8.5) | 1 | | | | |
| 30 | 175-546-9 | Piston | 1 | 62 | 976-793-0 | Spring (3.7 x 29) (0.5) WPC | 2 | | | | |
| 31 | 167-130-4 | Piston Rod | 1 | 63 | 976-072-0 | Spring (4.5 x 10.5) | 1 | | | | |

ACCESSORIES

| | | | |
|----|-----------|----------------------|---|
| 88 | 939-104-0 | Allen Wrench (5mm) | 1 |
| 89 | 939-091-0 | Allen Wrench (1.5mm) | 1 |

AIMCO also offers a complete line of standard & special adapters, bits, sockets and extensions.

FOOTNOTES

× = 167-004-4 Handle Assembly Components



AIMCO

When ordering spare parts, please specify tool type, part number and description.

10000 SE PINE, PORTLAND, OR 97216
503-254-6600 FAX 503-255-2615