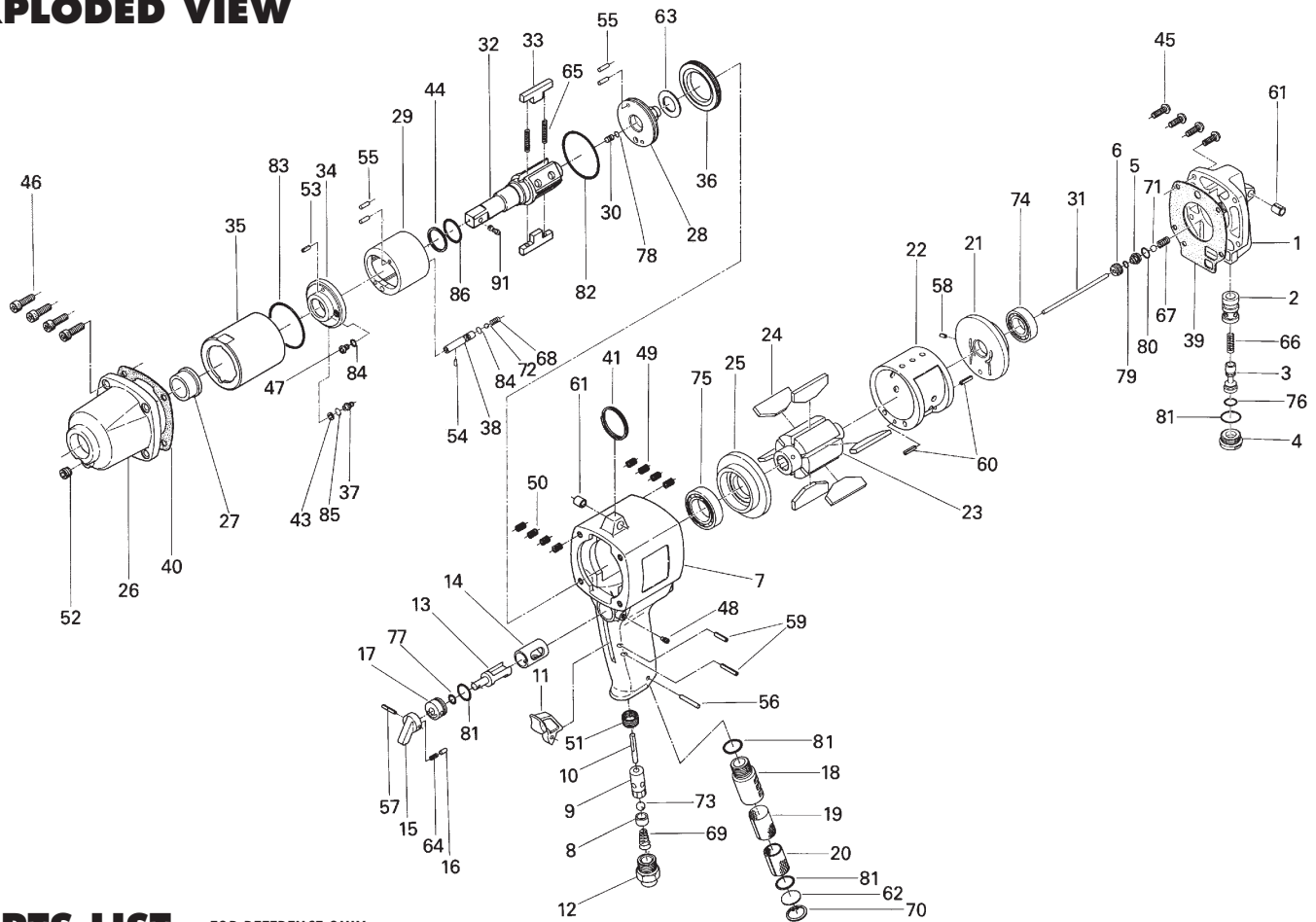


UX-T1300 OIL-PULSE TOOLS [TORQUE CONTROL]

EXPLODED VIEW



PARTS LIST — FOR REFERENCE ONLY

Index Number	Part Number	Description	Qty.	Index Number	Part Number	Description	Qty.	Index Number	Part Number	Description	Qty.
1	166-012-3	Head Cover	1	32	891-313-1	Anvil (OP-P)	1	64	976-025-0	Spring (3 x 8.5)	1
2	175-253-7	Shut-Off Valve Bushing	1	33	194-440-7	Driving Blade	2	65	976-453-0	Spring (4.5 x 34.5) (0.6)	2
3	175-254-7	Shut-Off Valve	1	34	175-904-7	Front Liner Plate	1	66	976-274-0	Spring (5.2 x 15)	1
4	175-927-9	Shut-Off Valve Cover	1	35	194-905-6	Liner Casing	1	67	976-275-0	Spring (6.7 x 12)	1
5	175-968-9	Pilot Valve Retainer	1	36	194-906-4	Liner Casing Setter	1	68	977-016-0	Cone Spring (3.4 x 4.5 x 7.3) (0.65)	1
6	175-019-9	Valve Cover	1	37	175-907-9	Relief Valve Spindle	1	69	977-175-0	Cone Spring (7.5 x 10.3 x 22)	1
7	166-025-3	Handle	1	38	166-970-3	Relief Valve	1	70	979-011-0	Inner Snap Ring (18)	1
8	188-100-1	Valve	1	39	166-853-3	Head Cover Packing	1	71	981-006-0	Ball (1/4)	1
9	063-102-3	Valve Bushing	1	40	194-867-6	Front Casing Packing	1	72	981-155-0	Ball (3.5 mm)	1
10	193-104-6	Valve Rod	1	41	004-790-2	Suspension Ring	1	73	981-208-0	Ball (5/16)	1
11	026-107-7	Throttle Trigger	1	43	944-205-0	Back-up Ring (5.1 x 7 x 1)	1	74	982-404-0	Ball Bearing (EE-5)	1
12	185-091-7	Air Inlet Bushing	1	44	944-215-0	Supporting Ring (16 x 19.9 x 1.5)	1	75	982-905-0	Ball Bearing (6904)	1
13	199-210-1	Reverse Valve	1	45	945-117-0	Allen Head Bolt (M5 x 16)	4	76	990-004-0	O-Ring (P-6)	1
14	199-211-1	Reverse Valve Bushing	1	46	945-216-0	Allen Head Bolt (M6 x 16)	4	77	990-205-0	O-Ring (JW1516-5)	1
15	023-212-4	Reverse Lever	1	47	945-942-0	Hexagon Round Head Bolt (M4 x 6)	1	78	990-320-0	O-Ring (APR568-003)	1
16	054-220-1	Reverse Lever Notch	1	48	952-108-0	Allen Head Dog Point Screw (M4 x 8)	1	79	990-901-0	O-Ring (SNS-3)	1
17	187-222-1	Reverse Valve Setter	1	49	965-011-0	Heli-Sert (M5 x 1.5D)	4	80	990-907-0	O-Ring (SNS-9)	1
18	194-780-4	Exhaust Stack	1	50	965-021-0	Heli-Sert (M6 x 1.5D)	4	81	990-914-0	O-Ring (SNS-16)	4
19	194-042-4	Silencer	1	51	965-073-0	Heli-Sert (UNF5/8) (N6)	1	82	990-930-0	O-Ring (SNS-40)	1
20	194-835-6	Filter	1	52	966-100-0	Allen Head Plug (1/8)	1	83	990-932-0	O-Ring (SNS-42)	1
21	194-285-6	Rear Plate	1	53	969-450-0	Pin (G) (3 x 8)	1	84	990-971-0	O-Ring (SNS-3) (NOK)	2
22	063-286-7	Cylinder	1	54	970-093-0	Pin (H) (2 x 6)	1	85	990-972-0	O-Ring (SNS-4) (NOK)	1
23	166-287-3	Rotor	1	55	970-206-0	Pin (H) (3 x 8)	4	86	995-516-0	Teflon Seal (P-16)	1
24	194-288-6	Blade	6	56	971-163-0	Pin (2.5 x 23)	1	91	891-304-1	Socket Pin Assembly (1/2)	1
25	194-289-6	Front Plate	1	57	973-016-0	Roll Pin (2 x 16)	1				
26	194-439-6	Front Casing	1	58	973-066-0	Roll Pin (2.5 x 6)	1				
27	189-328-8	Anvil Bushing	1	59	973-116-0	Roll Pin (3 x 16)	2				
28	166-901-3	Rear Liner Plate	1	60	973-212-0	Roll Pin (4 x 12)	2				
29	166-902-3	Liner	1	61	973-340-0	Roll Pin (6 x 10)	2				
30	175-546-9	Piston	1	62	975-598-0	Round Plate (18 x 1)	1				
31	166-130-3	Piston Rod	1	63	975-812-0	Adjusting Spacer (30 x 17 x T)	1				

ACCESSORIES

97	939-104-0	Allen Wrench (5mm)	1
98	939-109-0	Allen Wrench (2mm)	1

FOOTNOTES

- = 175-004-7 Handle Assembly Components

AIMCO also offers a complete line of standard & special adapters, bits, sockets and extensions.



When ordering spare parts, please specify tool type, part number and description.

10000 SE PINE, PORTLAND, OR 97216
503-254-6600 FAX 503-255-2615