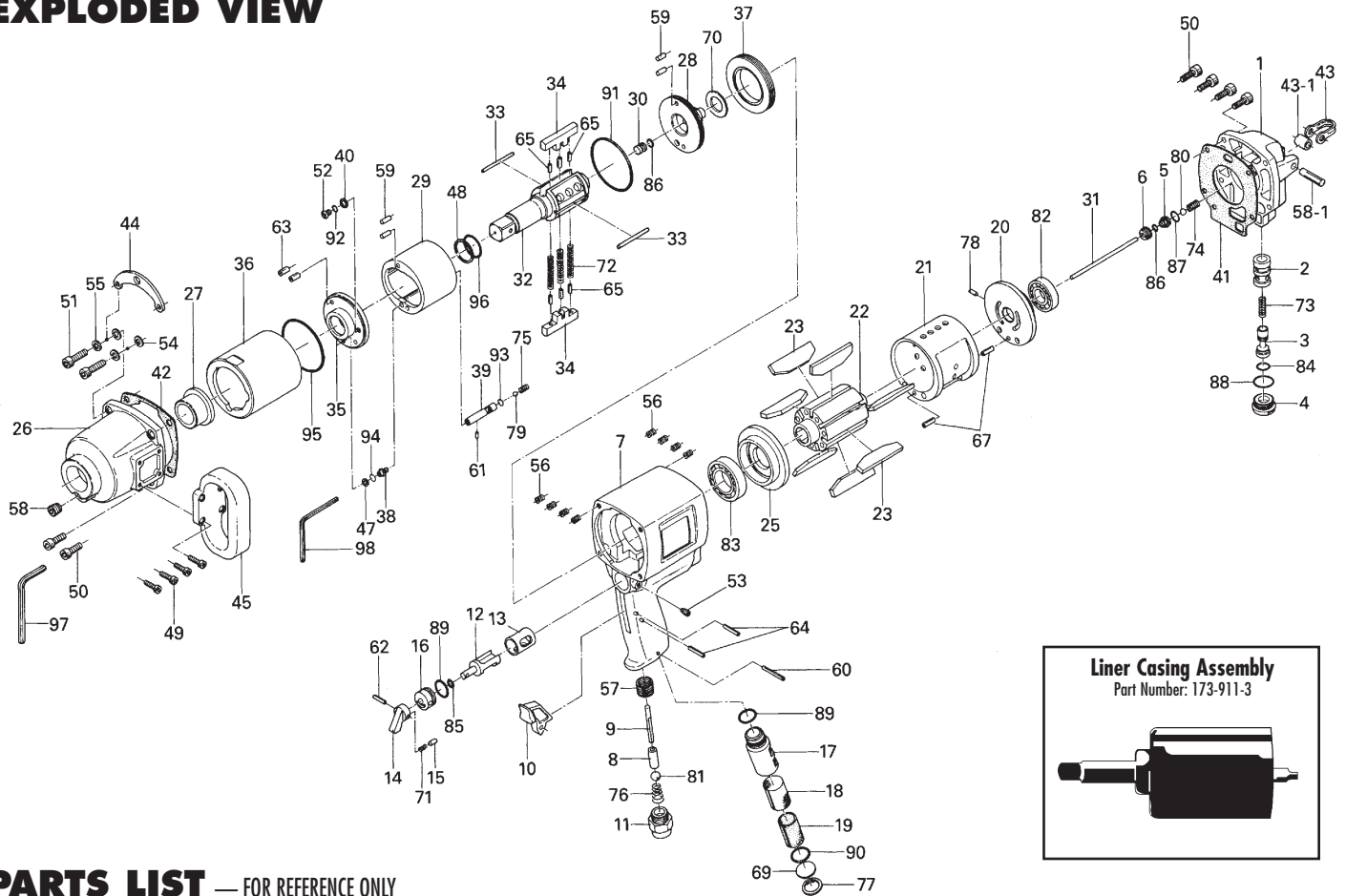


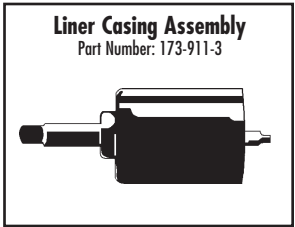
# UXR-T2000 OIL-PULSE TOOLS [TORQUE CONTROL]

## EXPLODED VIEW



## PARTS LIST — FOR REFERENCE ONLY

Index Number	Part Number	Description	Qty.	Index Number	Part Number	Description	Qty.	Index Number	Part Number	Description	Qty.
1	173-012-3	Head Cover	1	36	194-905-8	Liner Casing	1	71	976-025-0	Spring (3 x 8.5)	1
2	173-253-3	Shut-Off Valve Bushing	1	37	194-906-8	Liner Casing Setter	1	72	976-797-0	Spring (6.35 x 45.5) (0.8) WPC	3
3	173-254-3	Shut-Off Valve	1	38	173-907-3	Relief Valve Spindle	1	73	976-231-0	Spring (9 x 27.5)	1
4	175-927-9	Shut-Off Valve Cover	1	39	173-970-3	Relief Valve	1	74	976-275-0	Spring (6.7 x 12)	1
5	175-968-9	Pilot Valve Retainer	1	40	188-807-1	Spacer	1	75	976-291-0	Spring (5.5 x 13.8) (0.8)	1
6	175-019-9	Valve Cover	1	41	173-853-3	Head Cover Packing	1	76	977-256-0	Cone Spring (10 x 15 x 22)	1
7	173-025-4	Handle	1	42	194-867-8	Front Packing	1	77	979-017-0	Inner Snap Ring (24)	1
8	087-103-1	Valve Rod Bushing	1	43	195-790-9	Suspension Ring	1	78	980-009-0	Round Head Notch (4)	1
9	173-104-3	Valve Rod	1	43-1	173-796-3	Suspension Bushing	1	79	981-245-0	Ball (4.5mm)	1
10	026-107-7	Throttle Trigger	1	44	194-794-8	Suspension Plate	1	80	981-006-0	Ball (1/4)	1
11	194-091-8	Air Inlet Bushing	1	45	090-721-1	Dead Handle	1	81	981-032-0	Ball (7/16)	1
12	194-210-8	Reverse Valve	1	47	944-208-0	Supporting Ring (8.1 x 10 x 1)	1	82	982-203-0	Ball Bearing (6203)	1
13	194-211-8	Reverse Valve Bushing	1	48	944-225-0	Supporting Ring (25.2 x 29.4 x 1.5)	1	83	982-960-0	Ball Bearing (60/28)	1
14	023-212-4	Reverse Lever	1	49	945-112-0	Allen Head Bolt (M5 x 12)	4	84	990-007-0	O-Ring (P9)	1
15	054-220-1	Reverse Lever Notch	1	50	945-220-0	Allen Head Bolt (M6 x 20)	6	85	990-205-0	O-Ring (JW1516-5)	1
16	194-222-8	Reverse Valve Setter	1	51	945-225-0	Allen Head Bolt (M6 x 25)	2	86	990-901-0	O-Ring (SNS-3)	2
17	194-780-8	Exhaust Stack	1	52	945-960-0	Hexagon Round Head Bolt (M6 x 8)	1	87	990-907-0	O-Ring (SNS-9)	1
18	194-042-8	Silencer	1	53	952-210-0	Allen Head Dog Point Screw (M5 x 10)	1	88	990-914-0	O-Ring (SNS-16)	1
19	194-835-8	Filter	1	54	961-013-0	Flat Washer (6mm)	2	89	990-918-0	O-Ring (SNS-20)	2
20	194-285-9	Rear Plate	1	55	962-078-0	Spring Washer (6.3 x 9.5 x 1.5)	2	90	990-919-0	O-Ring (SNS-22)	1
21	194-286-8	Cylinder	1	56	965-021-0	Heli-Sert (M6 x 1.5D)	8	91	990-943-0	O-Ring (SNS-63)	1
22	180-287-0	Rotor	1	57	965-120-0	Heli-Sert (M20 x 1D)	1	92	990-949-0	O-Ring (P3) (NOK)	1
23	194-288-8	Blade	7	58	966-101-0	Allen Head Plug (1/4)	1	93	990-973-0	O-Ring (SNS-5) (NOK)	1
25	194-289-8	Front Plate	1	58-1	969-481-0	Pin (G) (8 x 45)	1	94	990-977-0	O-Ring (SNS-7) (NOK)	1
26	194-439-8	Front Casing	1	59	970-408-0	Pin (H) (5 x 8)	4	95	990-990-0	O-Ring (SNS-65)	1
27	194-328-8	Anvil Bushing	1	50	971-166-0	Pin (2.5 x 26)	1	96	995-500-0	Teflon Seal (120)	1
28	173-901-3	Rear Liner Plate	1	61	972-008-0	Roller Pin (2 x 8)	1				
29	173-902-3	Liner	1	62	973-016-0	Roll Pin (2 x 16)	1				
30	173-546-3	Piston	1	53	969-408-0	Pin (G) (5 x 10)	2				
31	173-130-3	Piston Rod	1	64	973-118-0	Roll Pin (3 x 18)	2				
32	176-319-0	Anvil	1	65	973-208-0	Roll Pin (4 x 8)	6				
33	176-974-5	Roller (4.4 x 55)	2	67	973-316-0	Roll Pin (5 x 16)	2				
34	194-440-9	Driving Blade	2	69	975-603-0	Round Plate (24 x 1)	1				
35	173-904-3	Front Liner Plate	1	70	975-828-0	Adjusting Spacer (34 x 22 x T)	1				



ACCESSORIES			
97	939-007-0	Allen Wrench (6mm)	1
98	939-110-0	Allen Wrench (3mm) (80 x 80)	1

AIMCO also offers a complete line of standard & special adapters, bits, sockets and extensions.

### FOOTNOTES



# AIMCO

When ordering spare parts, please specify tool type, part number and description.

10000 SE PINE, PORTLAND, OR 97216  
503-254-6600 FAX 503-255-2615