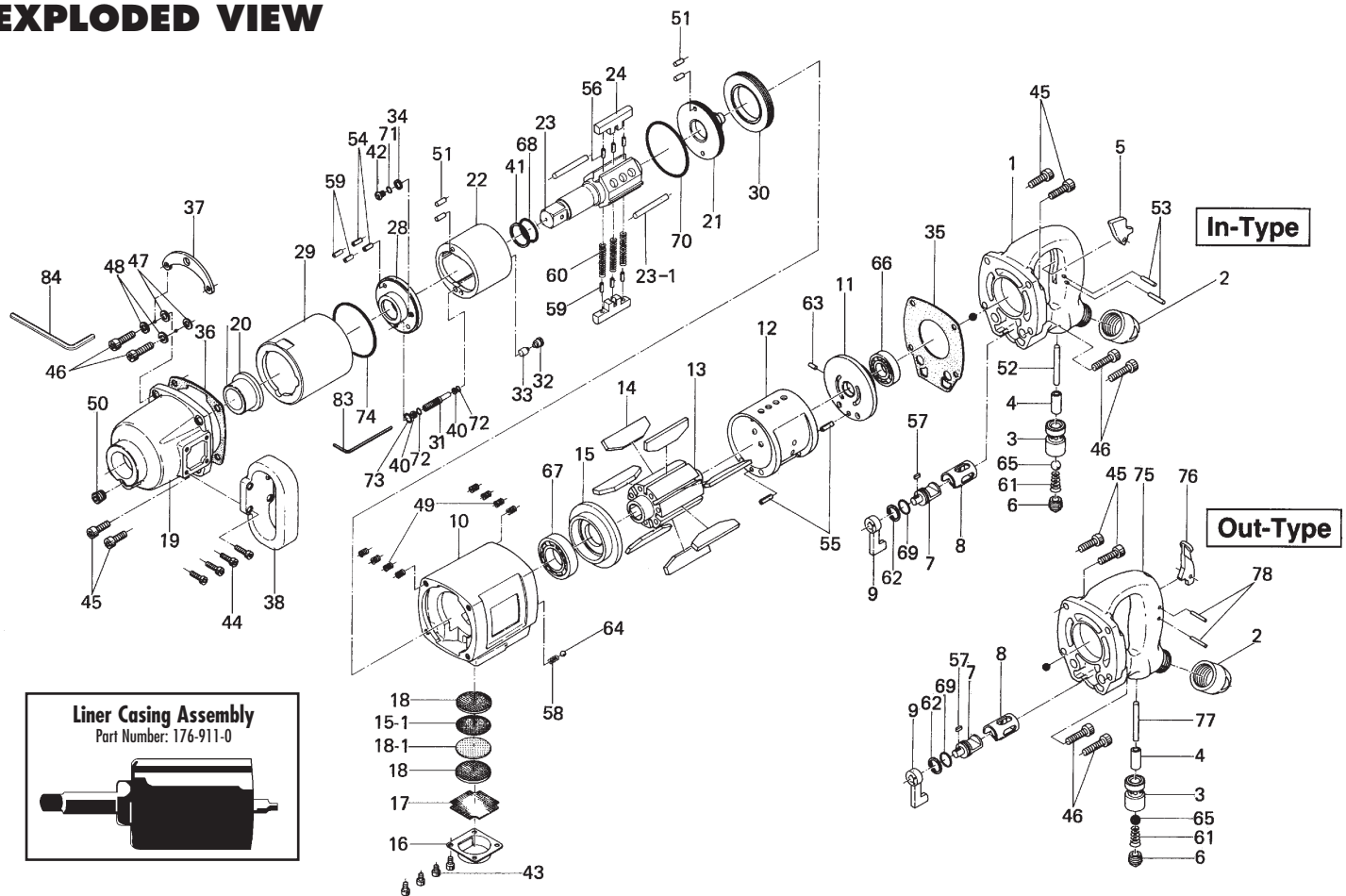


# UXR-2000S OIL-PULSE TOOLS

## EXPLODED VIEW



## PARTS LIST — FOR REFERENCE ONLY

Index Number	Part Number	Description	Qty.	Index Number	Part Number	Description	Qty.	Index Number	Part Number	Description	Qty.
1	194-010-0	Handle (In)	1	30	194-906-8	Liner Casing Setter	1	61	977-220-0	Cone Spring (9 x 10 x 25)	1
2	076-096-1	Air Inlet Bushing (W28 x NPT3/8)	1	31	194-907-8	Relief Valve Spindle	1	62	979-011-0	Inner Snap Ring (18)	1
3	080-102-1	Valve Bushing	1	32	194-969-9	Relief Valve Plug	1	63	980-009-0	Round Head Notch (4)	1
4	093-103-1	Valve Rod Bushing	1	33	194-970-8	Relief Valve	1	64	981-003-0	Ball (5/32)	1
5	085-107-1	Throttle Trigger	1	34	188-807-1	Spacer	1	65	981-212-0	Ball (7/16) Black	1
6	719-108-1	Valve Plug	1	35	194-850-9	Rear Packing	1	66	982-203-0	Ball Bearing (6203)	1
7	194-210-9	Reverse Valve	1	36	194-867-8	Front Packing	1	67	982-960-0	Ball Bearing (60/28)	1
8	194-211-9	Reverse Valve Bushing	1	37	194-794-8	Suspension Plate	1	68	995-500-0	Teflon Seal (AR10400-120-GC)	1
9	194-212-9	Reverse Lever	1	38	090-721-1	Dead Handle	1	69	990-914-0	O-Ring (SNS-16)	1
10	194-025-5	Casing	1	40	944-005-0	Supporting Ring (4.2 x 6 x 1)	2	70	990-943-0	O-Ring (SNS-63)	1
11	194-285-9	Rear Plate	1	41	944-225-0	Supporting Ring (25.5 x 29.4 x 1.5)	1	71	990-949-0	O-Ring (P-3) (NOK)	1
12	194-286-8	Cylinder	1	42	945-960-0	Hexagon Round Head Bolt (M6 x 8)	1	72	990-972-0	O-Ring (SNS-4) (NOK)	2
13	194-287-8	Rotor	1	43	945-008-0	Allen Head Bolt (M4 x 8)	4	73	990-975-0	O-Ring (SNS-8) (NOK)	1
14	194-288-8	Blade	7	44	945-112-0	Allen Head Bolt (M5 x 12)	4	74	990-990-0	O-Ring (SNS-65)	1
15	194-289-8	Front Plate	1	45	945-220-0	Allen Head Bolt (M6 x 20)	4	75	194-010-8	Handle (Out)	1 ▼
15-1	194-099-9	Punch Plate	1	46	945-218-0	Allen Head Bolt (M6 x 18)	4	76	109-107-1	Throttle Trigger	1 ▼
16	103-782-0	Exhaust Cover	1	47	961-013-0	Flat Washer (6mm)	2	77	970-555-0	Pin (H) (6 x 54.5)	1 ▼
17	194-042-9	Silencer	1	48	962-078-0	Spring Washer (6.3 x 9.5 x 1.5)	2	78	973-122-0	Roll Pin (3 x 22)	2 ▼
18	194-835-9	Filter	2	49	965-021-0	Heli-Sert (M6 x 1.5D)	8	<b>ACCESSORIES</b>			
18-1	194-021-9	Exhaust Mesh Plate	1	50	966-101-0	Allen Head Plug (1/4)	1	83	939-111-0	Allen Wrench (3mm) (125 x 60)	1
19	194-439-8	Front Casing	1	51	970-408-0	Pin (H) (5 x 8)	4	84	939-007-0	Allen Wrench (6mm)	1
20	194-328-8	Anvil Bushing	1	52	970-555-0	Pin (H) (6 x 54.5)	1				
21	194-901-8	Rear Liner Plate	1	53	973-222-0	Roll Pin (4 x 22)	2				
22	194-902-8	Liner	1	54	969-460-0	Pin (G) (5 x 8)	2				
23	176-319-0	Anvil	1	55	973-316-0	Roll Pin (5 x 16)	2				
23-1	176-974-5	Roller (4.4 x 55)	2	56	973-208-0	Roll Pin (4 x 8)	6				
24	194-440-9	Driving Blade	2	57	974-008-0	Key (3 x 8)	1				
28	176-904-8	Front Liner Plate	1	58	976-041-0	Spring (3.8 x 21)	1				
29	194-905-8	Liner Casing	1	60	976-797-0	Spring (6.35 x 45.5) (0.8) WPC	3				

### FOOTNOTES

▼ = Parts for Outside Trigger Type

AIMCO also offers a complete line of standard & special adapters, bits, sockets and extensions.



# AIMCO

When ordering spare parts, please specify tool type, part number and description.

10000 SE PINE, PORTLAND, OR 97216  
503-254-6600 FAX 503-255-2615