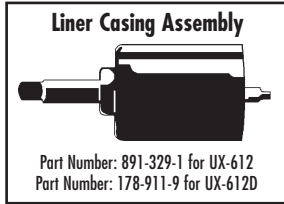
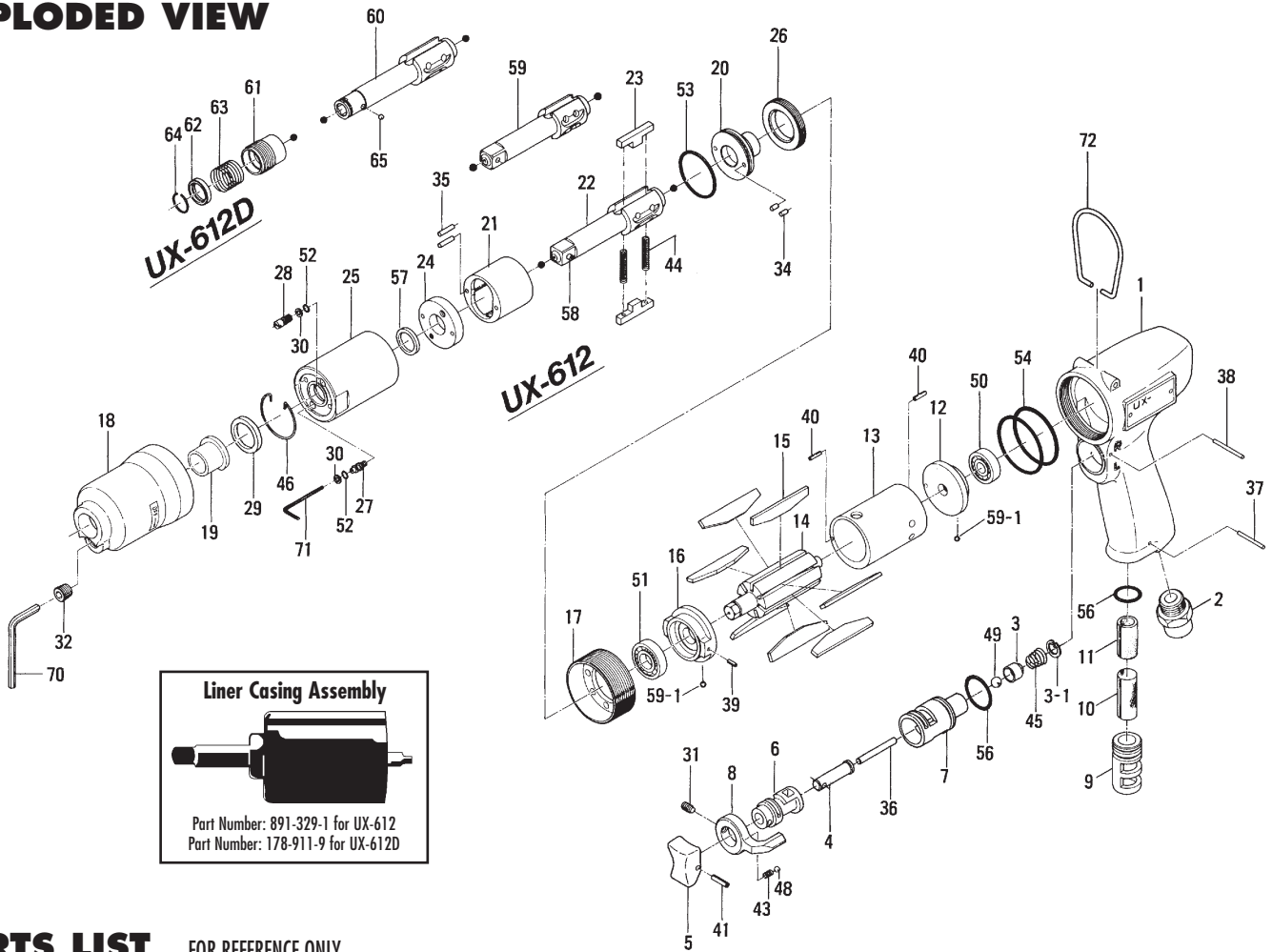


UX-612, 612D OIL-PULSE TOOLS

EXPLODED VIEW



PARTS LIST — FOR REFERENCE ONLY

Index Number	Part Number	Description	Qty.	Index Number	Part Number	Description	Qty.	Index Number	Part Number	Description	Qty.
1	178-025-8	Casing	1	25	178-905-9	Liner Casing	1	53	990-329-0	O-Ring (JW1530-19)	1
2	480-091-8	Air Inlet Bushing	1	26	190-906-6	Liner Casing Setter	1	54	990-337-0	O-Ring (JW1530-27)	2
3	480-100-9	Valve	1	27	174-907-8	Relief Valve Spindle	1	56	990-912-0	O-Ring (SNS-14)	2
3-1	979-002-0	Inner Snap Ring (9)	1	28	178-742-0	Oil Plug	1	57	995-512-0	Teflon Seal (P12)	1
4	480-103-9	Valve Rod Bushing	1	29	178-327-9	Anvil Front Spacer	1	58	891-300-1	Socket Pin Assembly (3/8)	1
5	177-107-5	Valve Lever	1	30	944-002-0	Supporting Ring (2.6 x 4.5 x 1)	2	59	178-319-8	Anvil (OP-0)	1
6	480-210-9	Reverse Valve	1	31	952-106-0	Allen Head Dog Point Screw (M4 x 6)	1	59-1	981-045-0	Ball (1.5)	2
7	480-211-9	Reverse Valve Bushing	1	32	966-110-0	Allen Head Plug (NPT1/16)	1	60	178-350-0	Driver Anvil	1
8	480-212-8	Reverse Lever	1	34	970-130-0	Pin (H) (2.45 x 4.5)	2	61	011-351-1	Bit Sleeve	1
9	480-780-8	Exhaust Stack	1	35	970-135-0	Pin (H) (2.45 x 11)	2	62	011-352-1	Bit Spacer	1
10	480-042-8	Silencer	1	36	970-228-0	Pin (H) (3 x 28)	1	63	976-327-0	Spring (13.5 x 11)	1
11	177-835-5	Filter	1	37	971-120-0	Pin (2 x 20)	1	64	978-117-0	Snap Ring (11.7 x 1.0)	1
12	182-285-2	Rear Plate	1	38	971-123-0	Pin (2 x 23)	1	65	981-002-0	Ball (1/8)	1
13	178-286-6	Cylinder	1	39	973-006-0	Roll Pin (2 x 6)	1	ACCESSORIES			
14	196-287-4	Rotor	1	40	973-008-0	Roll Pin (2 x 8)	2	70	939-105-0	Allen Wrench (4mm)	1
15	178-288-9	Rotor Blade (GK)	7	41	973-014-0	Roll Pin (2 x 14)	1	71	939-091-0	Allen Wrench (1.5mm)	1
16	182-289-2	Front Plate	1	43	976-006-0	Spring (3 x 5)	1	72	010-790-1	Suspension Ring	1
17	177-036-5	Hammer Casing Connector	1	44	976-791-0	Spring (3.3 x 21) WPC	2				
18	178-439-8	Front Casing	1	45	977-150-0	Cone Spring (6.8 x 8.5 x 8)	1				
19	190-328-6	Anvil Bushing	1	46	978-282-0	Snap Ring (28 x 1.0)	1				
20	196-901-4	Rear Liner Plate	1	48	981-002-0	Ball (1/8)	1				
21	190-902-6	Liner	1	49	981-206-0	Ball (1/4)	1				
22	891-316-1	Anvil (OP-P)	1	50	982-401-0	Ball Bearing (EE-2)	1				
23	190-440-6	Driving Blade	2	51	982-402-0	Ball Bearing (EE-3)	1				
24	178-904-8	Liner Front Plate	1	52	990-320-0	O-Ring (ARP568-003)	2				

FOOTNOTES

■ = Parts for UX-612D

AIMCO also offers a complete line of standard & special adapters, bits, sockets and extensions.



AIMCO

When ordering spare parts, please specify tool type, part number and description.

10000 SE PINE, PORTLAND, OR 97216
503-254-6600 FAX 503-255-2615