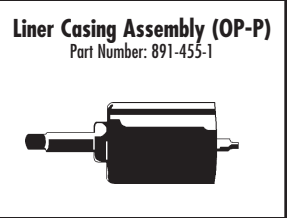
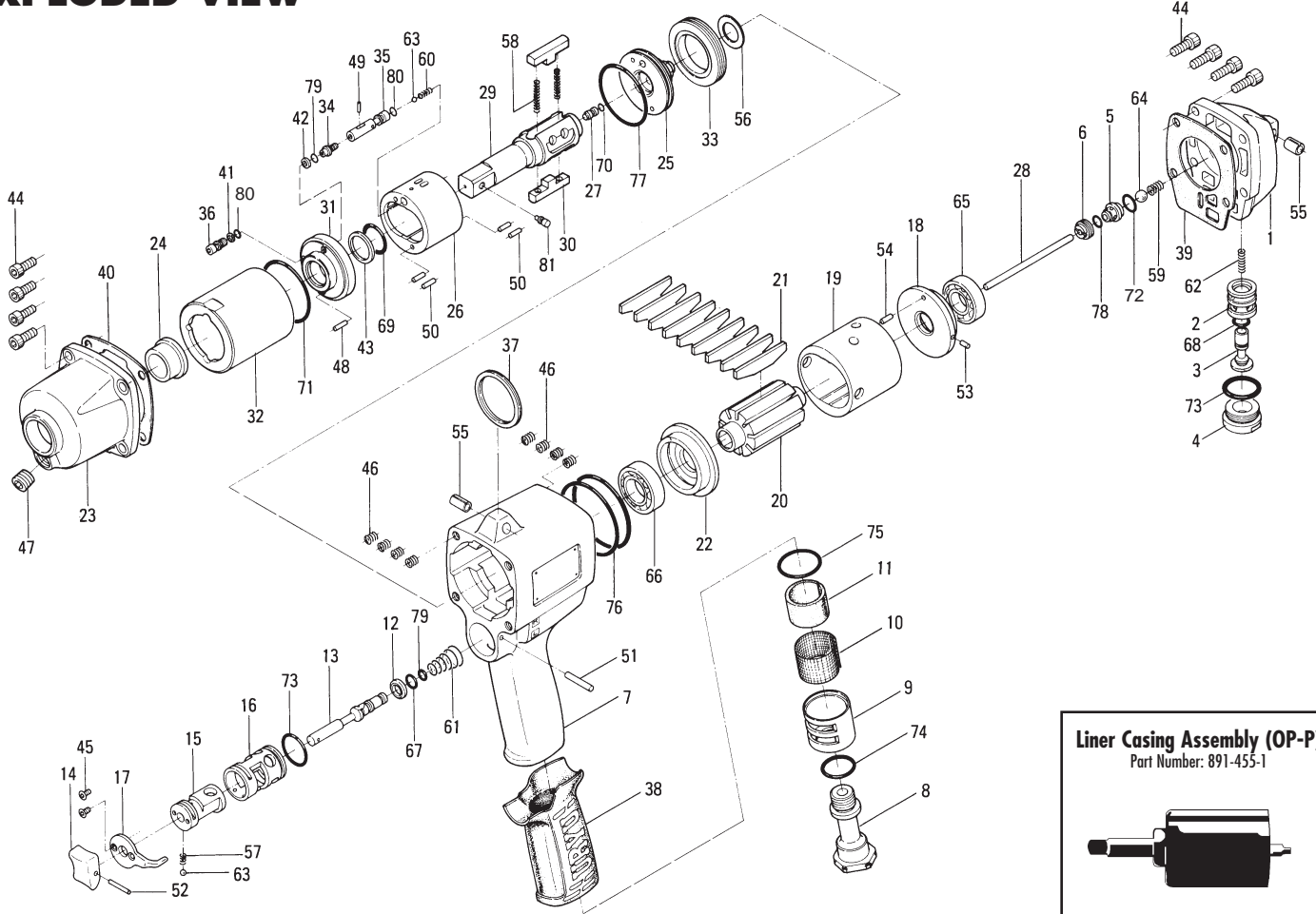


EXPLODED VIEW



PARTS LIST — FOR REFERENCE ONLY

Index Number	Part Number	Description	Qty.	Index Number	Part Number	Description	Qty.	Index Number	Part Number	Description	Qty.
1	151-012-9	Head Cover	1	31	168-904-4	Front Liner Plate	1	61	977-159-0	Cone Spring (7.2 x 13 x 20)	1
2	175-253-7	Shut-Off Valve Bushing	1	32	194-905-3	Liner Casing	1	62	976-274-0	Spring (5.2 x 15) (0.55)	1
3	175-254-7	Shut-Off Valve	1	33	194-906-3	Liner Casing Setter	1	63	981-002-0	Ball (1/8)	2
4	175-927-9	Shut-Off Valve Cover	1	34	175-907-9	Relief Valve Spindle	1	64	981-006-0	Ball (1/4)	1
5	175-968-9	Pilot Valve Retainer	1	35	151-970-8	Relief Valve	1	65	982-403-0	Ball Bearing (EE-4)	1
6	175-019-9	Valve Cover	1	36	194-742-3	Oil Plug	1	66	982-950-0	Ball Bearing (160002)	1
7	151-025-9	Handle	1	37	004-790-2	Suspension Ring	1	67	990-002-0	O-Ring (P4)	1
8	173-091-0	Air Inlet Bushing	1	38	173-842-0	Handle Cover	1	68	990-004-0	O-Ring (P6)	1
9	173-780-0	Exhaust Stack	1	39	151-853-9	Head Cover Packing	1	69	990-156-0	O-Ring (P16) (NTN)	1
10	173-042-0	Silencer	1	40	194-867-3	Front Casing Packing	1	70	990-320-0	O-Ring (ARP568-003)	1
11	173-835-0	Filter	1	41	944-003-0	Supporting Ring (3 x 5 x 1)	1	71	990-338-0	O-Ring (JW1530-28)	1
12	173-100-0	Valve	1	42	944-205-0	Back-Up Ring (5.1 x 7 x 1)	1	72	990-907-0	O-Ring (SNS-9)	1
13	173-104-0	Valve Rod	1	43	944-215-0	Supporting Ring (16 x 19.9 x 1.5)	1	73	990-914-0	O-Ring (SNS-16)	2
14	177-107-5	Valve Lever	1	44	945-116-0	Allen Head Bolt (M5 x 16)	8	74	990-916-0	O-Ring (SNS-18)	1
15	151-210-4	Reverse Valve	1	45	948-423-0	Allen Flush Head Screw (M3 x 6)	2	75	990-921-0	O-Ring (SNS-224)	1
16	151-211-4	Reverse Valve Bushing	1	46	965-011-0	Heli-Sert (M5 x 1.5D)	8	76	990-938-0	O-Ring (SNS-48)	2
17	173-212-0	Reverse Lever	1	47	966-100-0	Allen Head Plug (1/8)	1	77	990-607-0	O-Ring (34 x 2.3)	1
18	173-285-0	Rear Plate	1	48	969-450-0	Pin (G) (3 x 8)	1	78	990-971-0	O-Ring (SNS-3) (NOK)	1
19	173-286-0	Cylinder	1	49	970-093-0	Pin (H) (2 x 6)	1	79	990-972-0	O-Ring (SNS-4) (NOK)	2
20	151-287-9	Rotor	1	50	970-206-0	Pin (H) (3 x 8)	4	80	990-970-0	O-Ring (SNS-2) (NOK)	2
21	173-288-0	Blade	9	51	971-125-0	Pin (2 x 25)	1	81	891-304-1	Socket Pin Assembly (1/2)	1
22	173-289-0	Front Plate	1	52	973-014-0	Roll Pin (2 x 14)	1				
23	194-439-3	Front Casing	1	53	973-066-0	Roll Pin (2.5 x 6)	1				
24	188-328-2	Anvil Bushing	1	54	973-068-0	Roll Pin (2.5 x 8)	1				
25	168-901-4	Rear Liner Plate	1	55	973-340-0	Roll Pin (6 x 10)	2				
26	168-902-4	Liner	1	56	975-780-0	Adjusting Spacer (21 x 13 x T)	1				
27	175-546-9	Piston	1	57	976-006-0	Spring (3 x 5) (04)	1				
28	151-130-9	Piston Rod	1	58	976-794-0	Spring (3.8 x 33) (0.5) WPC	2				
29	891-311-1	Anvil (OP-P)	1	59	976-366-0	Spring (7 x 12.8) (0.8)	1				
30	194-440-3	Driving Blade	2	60	976-306-0	Spring (3.8 x 8.3) (0.55)	1				

ACCESSORIES

83	939-104-0	Allen Wrench (5mm)	1
84	939-109-0	Allen Wrench (2mm)	1

FOOTNOTES

AIMCO also offers a complete line of standard & special adapters, bits, sockets and extensions.



AIMCO

When ordering spare parts, please specify tool type, part number and description.

10000 SE PINE, PORTLAND, OR 97216
503-254-6600 FAX 503-255-2615