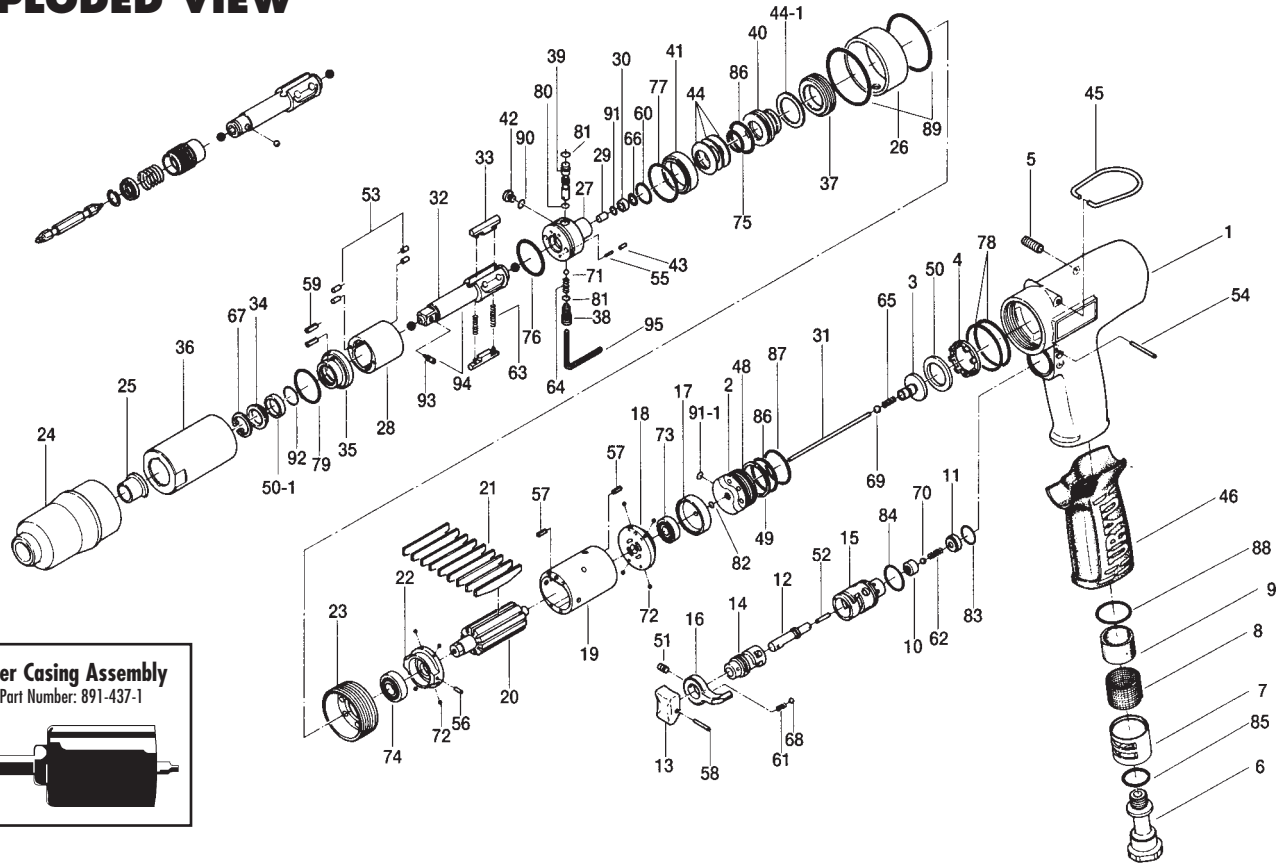


**EXPLODED VIEW**



**PARTS LIST — FOR REFERENCE ONLY**

Index Number	Part Number	Description	Qty.	Index Number	Part Number	Description	Qty.	Index Number	Part Number	Description	Qty.
1	150-025-9	Handle	1	35	150-904-9	Front Liner Plate	1	68	981-002-0	Ball (1/8)	1
2	150-253-5	Shut-Off Valve Bushing	1	36	150-905-9	Liner Casing	1	69	981-003-0	Ball (5/32)	1
3	150-254-9	Shut-Off Valve	1	37	190-906-6	Liner Casing Setter	1	70	981-155-0	Ball (3.5mm)	1
4	150-684-5	Cushion Spacer	1	38	150-907-5	Relief Valve Spindle	1	71	981-225-0	Ball (2.5mm)	1
5	150-108-5	Valve Plug	1	39	150-970-7	Relief Valve	1	72	981-045-0	Ball (1.5mm)	8
6	173-091-0	Air Inlet Bushing	1	40	155-972-5	Accumulator	1	73	982-401-0	Ball Bearing (EE2)	1
7	173-780-0	Exhaust Stack	1	41	150-973-9	Liner Casing Spacer	1	74	982-402-0	Ball Bearing (EE3)	1
8	173-042-0	Silencer	1	42	150-742-9	Oil Plug	1	75	990-440-0	O-Ring (1-A JASO-1014)	1
9	173-835-0	Filter (K-100)	1	43	150-064-5	Plug	1	76	990-329-0	O-Ring (JW1530-19)	1
10	174-100-8	Valve	1	44	155-167-2	Belleville Spring (609)	3	77	990-331-0	O-Ring (JW1530-21)	1
11	150-019-5	Valve Cover	1	44-1	150-682-9	Buffer	1	78	990-337-0	O-Ring (JW1530-27)	2
12	150-103-5	Valve Rod Bushing	1	45	010-790-1	Suspension Ring	1	79	990-605-0	O-Ring (25 x 1.45)	1
13	177-107-5	Valve Lever	1	46	150-842-5	Handle Cover	1	80	990-623-0	O-Ring (4.6 x 3.0 x 0.8)	1
14	480-210-9	Reverse Valve	1	48	944-226-0	Supporting Ring (16 x 25.5 x 2.1)	1	81	990-625-0	O-Ring (5.5 x 3.5 x 1.0)	2
15	174-211-8	Reverse Valve Bushing	1	49	944-227-0	Supporting Ring (16 x 25.5 x 2)	1	82	990-900-0	O-Ring (SNS-2)	1
16	480-212-8	Reverse Lever	1	50	944-228-0	Supporting Ring (26 x 18 x 1.5)	1	83	990-911-0	O-Ring (SNS-12)	1
17	150-291-5	Rear Plate Spacer	1	50-1	944-213-0	Supporting Ring (12 x 16 x 1)	1	84	990-912-0	O-Ring (SNS-14)	1
18	150-285-5	Rear Plate	1	51	952-106-0	Allen Head Dog Point Screw (M4 x 6)	1	85	990-916-0	O-Ring (SNS-18)	1
19	150-286-9	Cylinder	1	52	969-412-0	Pin (G) (2 x 12)	1	86	990-979-0	O-Ring (SNS-20) NOK	2
20	150-287-9	Rotor	1	53	970-130-0	Pin (H) (2.45 x 4.5)	4	87	990-919-0	O-Ring (SNS-22)	1
21	150-288-9	Blade (PC)	9	54	971-123-0	Pin (2 x 23)	1	88	990-921-0	O-Ring (SNS-22.4)	1
22	150-289-5	Front Plate	1	55	972-011-0	Roller Pin (1.5 x 4.8)	1	89	990-333-0	O-Ring (JW1530-23)	2
23	177-036-5	Hammer Casing Connector	1	56	973-006-0	Roll Pin (1.5 x 5)	1	90	990-323-0	O-Ring (ARP-568-004)	1
24	150-439-9	Front Casing	1	57	973-007-0	Roll Pin (2 x 7)	2	91	990-964-0	O-Ring (ARP-568-004) NOK	1
25	190-328-6	Anvil Bushing	1	58	973-014-0	Roll Pin (2 x 14)	1	91-1	990-901-0	O-Ring (SNS-3)	1
26	150-384-9	Hammer Casing Band	1	59	973-040-0	Roll Pin (1.5 x 5)	2	92	990-152-0	O-Ring (P12) (NTN)	1
27	150-901-9	Rear Liner Plate	1	60	975-752-0	Adjusting Spacer (15 x 10 x T)	1	93	891-300-1	Socket Pin Assembly	1
28	190-902-6	Liner	1	61	976-006-0	Spring (3 x 5 x 0.4)	1	94	891-316-1	Anvil Assembly (OP-P)	1
29	150-546-5	Piston	1	62	976-229-0	Spring (3.2 x 13 x 0.3)	1				
30	150-557-5	Piston Bushing	1	63	976-791-0	Spring (3.3 x 21 x 0.4) WPC	2				
31	189-130-4	Operating Rod (2.1 x 83.2)	1	64	976-423-0	Spring (3.1 x 7.2 x 0.45)	1				
32	178-319-8	Anvil	1	65	976-424-0	Spring (4.5 x 11 x 0.5)	1				
33	190-440-6	Driving Blade	2	66	978-090-0	Snap Ring (9 x 0.7)	1				
34	150-807-6	Spacer	1	67	979-317-0	Inner Snap Ring (IRTW-17)	1				

**ACCESSORIES**

95	939-109-0	Allen Wrench (2 x 64 x 64)	1
----	-----------	----------------------------	---

**FOOTNOTES**

Note: Liner Casing Assembly = 891-437-1

AIMCO also offers a complete line of standard & special adapters, bits, sockets and extensions.



**When ordering spare parts, please specify tool type, part number and description.**  
**10000 SE PINE, PORTLAND, OR 97216**  
**503-254-6600 FAX 503-255-2615**