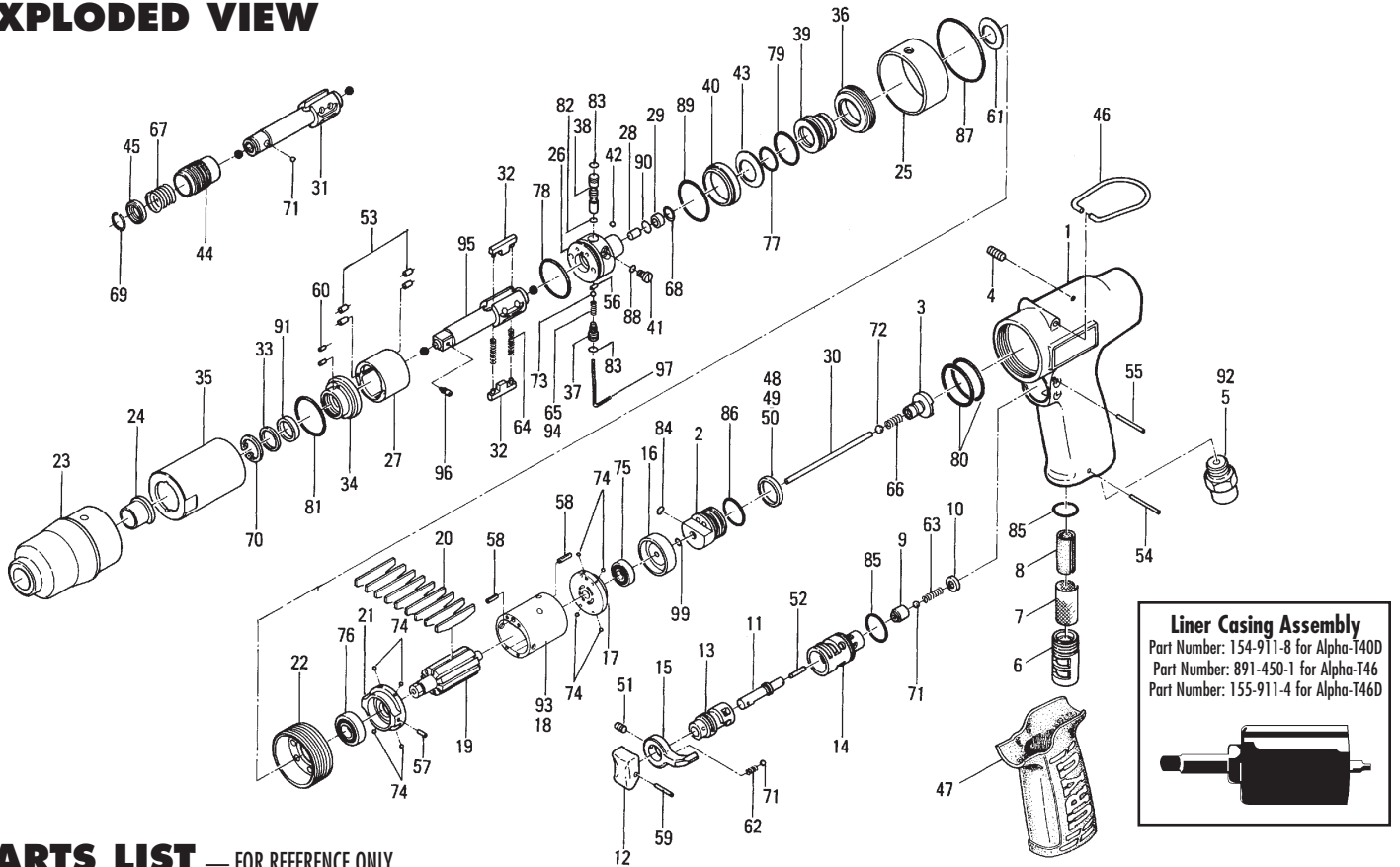


# ALPHA T40D, T46, T46D OIL-PULSE TOOLS

## EXPLODED VIEW



## PARTS LIST — FOR REFERENCE ONLY

Index Number	Part Number	Description	Qty.	Index Number	Part Number	Description	Qty.	Index Number	Part Number	Description	Qty.
1	152-025-6	Handle	1	39	155-972-2	Accumulator	1	79	990-331-0	O-Ring (JW1530-21)	1
2	152-253-6	Shut-Off Valve Bushing	1	40	150-973-5	Liner Casing Spacer	1	80	990-335-0	O-Ring (JW1530-25)	2
3	155-254-2	Shut-Off Valve	1	41	150-742-5	Oil Plug	1	81	990-605-0	O-Ring (25 x 1.45)	1
4	150-108-5	Valve Plug	1	42	150-064-5	Plug	1	82	990-623-0	O-Ring (4.6 x 3.0 x 0.8)	1
6	480-780-8	Exhaust Stack	1	43	155-167-2	Plate Spring (609)	1	83	990-625-0	O-Ring (5.5 x 3.5 x 1.0)	2
7	480-042-8	Silencer	1	46	010-790-1	Suspension Ring	1	84	990-900-0	O-Ring (SNS-2)	1
8	177-835-5	Filter	1	47	174-842-8	Handle Cover	1	85	990-912-0	O-Ring (SNS-14)	2
9	850-383-1	Valve	1	48	944-216-0	Supporting Ring (14 x 20 x 1.85) (Standard)	1	86	990-916-0	O-Ring (SNS-18)	1
10	850-384-1	Valve Cover	1	49	944-217-0	Supporting Ring (14 x 20 x 1.8)	1	87	990-333-0	O-Ring (JW1530-23)	1
11	150-103-5	Valve Rod Bushing	1	50	944-218-0	Supporting Ring (14 x 20 x 1.9)	1	88	990-323-0	O-Ring (ARP568-004)	2
12	177-107-5	Valve Lever	1	51	952-106-0	Allen Head Dog Point Screw (M4 x 6)	1	89	990-979-0	O-Ring (SNS-20) (NOK)	1
13	480-210-9	Reverse Valve	1	52	969-412-0	Pin (G) (2 x 12)	1	90	990-964-0	O-Ring (ARP568-008) (NOK)	1
14	850-382-1	Reverse Valve Bushing	1	53	970-130-0	Pin (2.45 x 4.5)	4	91	995-512-0	Teflon Seal (AR10400-P12GC)	1
15	480-212-8	Reverse Lever	1	54	971-120-0	Pin (2 x 20)	1	99	990-901-0	O-Ring (SNS-3)	1
16	152-291-6	Rear Plate Spacer	1	55	971-123-0	Pin (2 x 23)	1	5	154-091-8	Air Inlet Bushing	1
17	152-285-6	Rear Plate	1	56	972-011-0	Roller Pin (1.5 x 4.8)	1	18	154-286-8	Cylinder	1
19	155-287-2	Rotor	1	57	973-006-0	Roll Pin (2 x 6)	1	65	976-395-0	Spring (2.8 x 6.9) (0.3)	1
20	161-288-3	Blade	9	58	973-001-0	Roll Pin (1.5 x 6)	2	92	152-091-6	Air Inlet Bushing	1
21	162-289-8	Front Plate	1	59	973-014-0	Roll Pin (2 x 14)	1	93	152-286-6	Cylinder	1
22	177-036-5	Hammer Casing Connector	1	60	973-040-0	Roll Pin (1.5 x 5)	2	94	976-315-0	Spring (3 x 6.9) (0.4)	1
23	152-439-6	Front Casing	1	61	975-752-0	Adjusting Spacer (15 x 10 x T)	1	95	891-307-1	Anvil (DP-P)	1
24	190-328-6	Anvil Bushing	1	62	976-006-0	Spring (3 x 5) (0.4)	1	96	891-300-1	Socket Pin Assembly	1
25	152-384-6	Hammer Casing Band	1	63	976-229-0	Spring (3.2 x 13) (0.3)	1	31	177-350-7	Driver Anvil	1
26	155-901-2	Rear Liner Plate	1	64	976-791-0	Spring (3.3 x 21) (0.4) WPC	2	44	011-351-1	Bit Sleeve	1
27	177-902-5	Liner	1	66	976-314-0	Spring (4.3 x 11) (0.4)	1	45	011-352-1	Bit Spacer	1
28	150-546-5	Piston	1	68	978-090-0	Snap Ring (9 x 0.7)	1	67	976-327-0	Spring (13.5 x 11)	1
29	150-557-5	Piston Bushing	1	70	979-317-0	Inner Snap Ring (IRTW-17)	1	69	978-117-0	Snap Ring (11.7 x 1)	1
30	187-130-3	Piston Rod	1	71	981-002-0	Ball (1/8)	2	71	981-002-0	Ball (1/8)	1
32	177-440-5	Driving Blade	2	72	981-245-0	Ball (4.5mm)	1				
33	150-807-5	Spacer	1	73	981-225-0	Ball (2.5mm)	1				
34	150-904-5	Front Liner Plate	1	74	981-045-0	Ball (1.5mm)	8				
35	150-905-5	Liner Casing	1	75	982-401-0	Ball Bearing (EE2)	1				
36	190-906-6	Liner Casing Setter	1	76	982-402-0	Ball Bearing (EE3)	1				
37	150-907-5	Relief Valve Spindle	1	77	990-328-0	O-Ring (JW1530-15)	1				
38	150-970-7	Relief Valve	1	78	990-329-0	O-Ring (JW1530-19)	1				

### ACCESSORIES

97	939-107-0	Allen Wrench (2mm)	1
----	-----------	--------------------	---

### FOOTNOTES

- = Spare parts for Alpha-T40D
- ⊕ = Spare parts for Alpha-T46 & T46D
- = Spare parts for Alpha-T46
- ★ = Spare parts for Alpha-T40D & T46D

AIMCO also offers a complete line of standard & special adapters, bits, sockets and extensions.



# AIMCO

When ordering spare parts, please specify tool type, part number and description.

10000 SE PINE, PORTLAND, OR 97216  
503-254-6600 FAX 503-255-2615