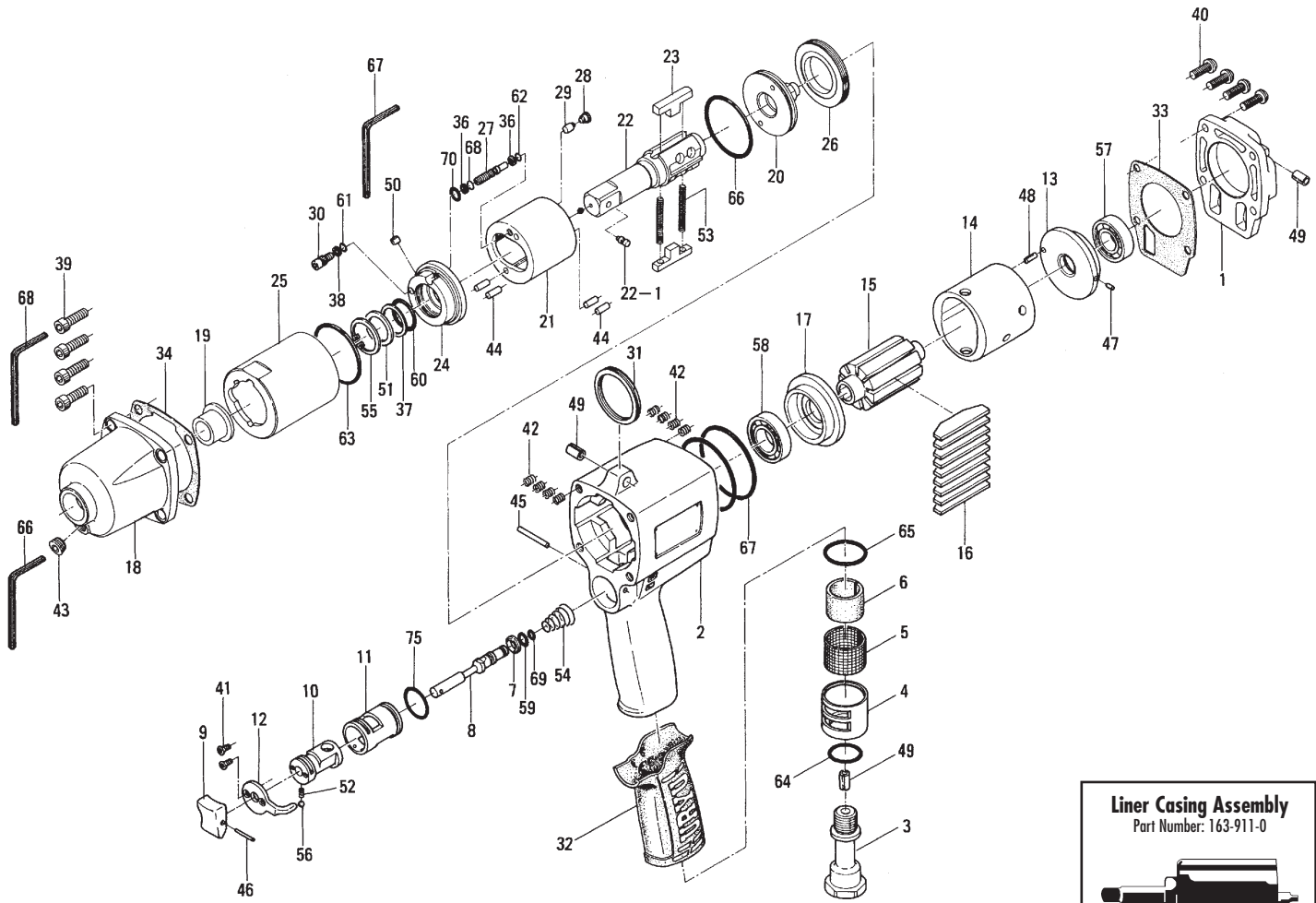


ALPHA 80 OIL-PULSE TOOLS

EXPLODED VIEW



PARTS LIST — FOR REFERENCE ONLY

Index Number	Part Number	Description	Qty.
1	194-012-2	HeadCover	1
2	163-025-0	Handle	1
3	173-091-0	Air Inlet Bushing	1
4	173-780-0	Exhaust stack	1
5	173-042-0	Silencer	1
6	178-835-0	Filter	1
7	173-100-0	Valve	1
8	173-104-0	Valve Rod	1
9	177-107-5	Valve Lever	1
10	173-210-0	Reverse Valve	1
11	173-211-0	Reverse Valve Bushing	1
12	173-212-0	Reverse Lever	1
13	163-285-0	Rear Plate	1
14	163-286-0	Cylinder	1
15	163-287-0	Rotor	1
16	164-288-0	Blade	9
17	163-289-0	Front Plate	1
18	163-439-0	Front Casing	1
19	188-328-2	Anvil Bushing	1
20	194-901-2	Rear Liner Plate	1
21	194-902-2	Liner	1
22	891-317-1	Anvil	1
22-1	891-304-1	Socket Pin Assembly	1
23	194-440-2	Driving Blade	2
24	163-904-1	Front Liner Plate	1
25	163-905-0	Liner Casing	1

Index Number	Part Number	Description	Qty.
26	194-906-2	Liner Casing Setter	1
27	194-907-2	Relief Valve Spindle	1
28	194-969-2	Relief Valve Plug	1
29	194-970-2	Relief Valve	1
30	163-742-0	Oil Plug	1
31	004-790-2	Suspension Ring	1
32	173-842-0	Handle Cover	1
33	194-853-2	Handle Cover Packing	1
34	194-867-2	Front Casing Packing	1
36	944-002-0	Supporting Ring (2.6 x 4.5 x 1)	2
37	944-215-0	Supporting Ring (16 x 19.9 x 1.5)	1
38	944-000-0	Supporting Ring (2.5 x 4 x 1)	1
39	945-117-0	Allen Head Bolt	4
40	945-954-0	Hexagon Round Head Bolt	4
41	948-423-0	Allen Flush Head Screw	2
42	965-011-0	Heli-Sert (M5 x 1.5D)	8
43	966-110-0	Allen Head Plug (1/8)	1
44	970-206-0	Pin (G) (3 x 8)	4
45	971-125-0	Pin (H) (2 x 25)	1
46	973-014-0	Roll Pin (2 x 14)	1
47	973-066-0	Roll Pin (2.5 x 6)	1
48	973-068-0	Roll Pin (2.5 x 8)	1
49	973-340-0	Roll Pin (6 x 10)	3
50	974-005-0	Key	1
51	975-154-0	Spacer (20.8 x 16.2 x 1.5) (H)	1
52	976-006-0	Spring (3 x 5) (0.4)	1

Index Number	Part Number	Description	Qty.
53	976-248-0	Spring (3.7 x 29) (0.5)	2
54	977-159-0	Cone Spring (7.2 x 13 x 20)	1
55	979-321-0	Snap Ring (IRTW-21)	1
56	981-002-0	Ball (1/8)	1
57	982-403-0	Ball Bearing (EE-4)	1
58	982-950-0	Ball Bearing (16002)	1
59	990-002-0	O-Ring (P4)	1
60	990-156-0	O-Ring (P16) (NTN)	1
61	990-319-0	O-Ring (ARP568-002)	1
62	990-320-0	O-Ring ARP568-003	1
63	990-337-0	O-Ring (JW1530-27)	1
64	990-916-0	O-Ring (SNS-18)	2
65	990-921-0	O-Ring (SNS-22.4)	1
66	990-924-0	O-Ring (SNS-30)	1
67	990-934-0	O-Ring (SNS-44)	2
68	990-970-0	O-Ring (SNS-2) (NOK)	1
69	990-972-0	O-Ring (SNS-4) (NOK)	1
70	990-973-0	O-Ring (SNS-5) (NOK)	1
75	990-914-0	O-Ring (SNS-16)	1

ACCESSORIES

72	939-104-0	Allen Wrench (5mm)	1
73	939-091-0	Allen Wrench (1.5mm) (80 x 20)	1
74	939-105-0	Allen Wrench (4mm)	1

FOOTNOTES

AIMCO also offers a complete line of standard & special adapters, bits, sockets and extensions.



When ordering spare parts, please specify tool type, part number and description.

10000 SE PINE, PORTLAND, OR 97216
503-254-6600 FAX 503-255-2615