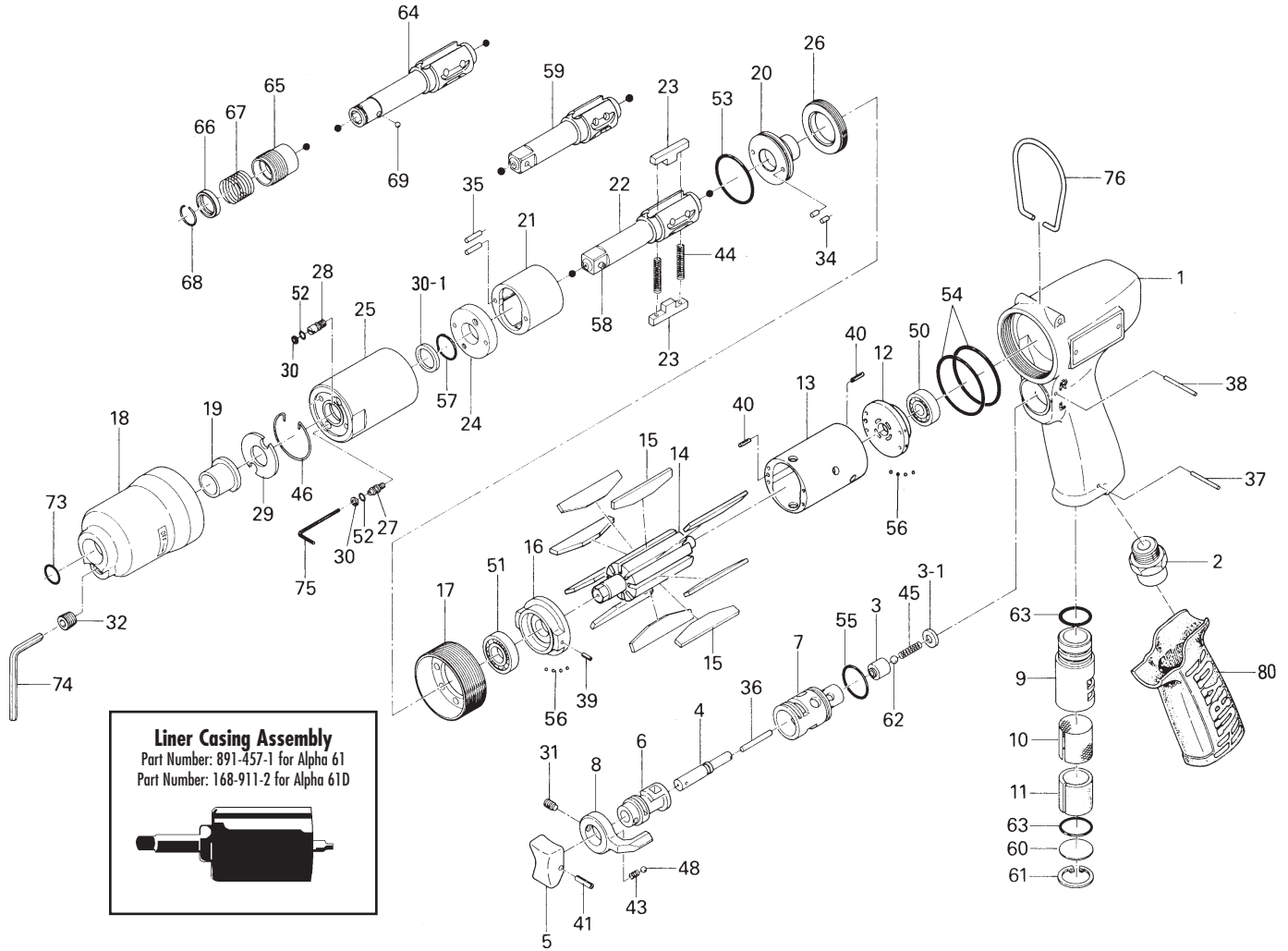


**EXPLODED VIEW**



**Liner Casing Assembly**  
 Part Number: 891-457-1 for Alpha 61  
 Part Number: 168-911-2 for Alpha 61D

**PARTS LIST — FOR REFERENCE ONLY**

Index Number	Part Number	Description	Qty.	Index Number	Part Number	Description	Qty.	Index Number	Part Number	Description	Qty.
1	174-025-8	Casing	1	27	174-907-8	Relief Valve Spindle	1	57	990-152-0	O-Ring (P12) (NTN)	1
2	480-091-8	Air Inlet Bushing	1	28	178-742-0	Oil Plug	1	58	891-300-1	Socket Pin Assembly (3/8)	1
3	174-100-8	Valve	1	29	178-327-9	Anvil Front Spacer	1	59	168-319-0	Anvil (OP-0)	1
3-1	174-019-8	Valve Cover	1	30	944-002-0	Supporting Ring (2.6 x 4.5 x 1)	2	60	975-598-0	Round Plate (18 x 1)	1
4	427-103-5	Valve Rod Bushing	1	30-1	944-214-0	Supporting Ring (12 x 15.9 x 1.5)	1	61	979-318-0	Inner Snap Ring (IRTW-18)	1
5	177-107-5	Valve Lever	1	31	952-106-0	Allen Head Dog Point Screw (M4 x 6)	1	62	981-155-0	Ball (3.5mm)	1
6	480-210-9	Reverse Valve	1	32	966-110-0	Allen Head Plug (NPT1/16)	1	63	990-914-0	O-Ring (SNS-16)	2
7	174-211-8	Reverse Valve Bushing	1	34	970-130-0	Pin (H) (2.45 x 4.5)	2	80	174-842-8	Handle Cover	1
8	480-212-8	Reverse Lever	1	35	970-135-0	Pin (H) (2.45 x 11)	2	64	168-350-2	Driver Anvil	1 ■
9	194-780-4	Exhaust Stack	1	36	969-412-0	Pin (G) (2 x 12)	1	65	011-351-1	Bit Sleeve (1/8)	1 ■
10	194-042-4	Silencer	1	37	971-160-0	Pin (2.5 x 20)	1	66	011-352-1	Bit Spacer	1 ■
11	174-780-8	Filter	1	38	971-123-0	Pin (2 x 23)	1	67	976-327-0	Spring (13.5 x 11) (0.9)	1 ■
12	174-285-0	Rear Plate	1	39	973-006-0	Roll Pin (2 x 6)	1	68	978-117-0	Snap Ring (11.7 x 1.0)	1 ■
13	174-286-9	Cylinder	1	40	973-008-0	Roll Pin (2 x 8)	2	69	981-002-0	Ball (1/8)	1 ■
14	174-287-8	Rotor	1	41	973-014-0	Roll Pin (2 x 14)	1	<b>ACCESSORIES</b>			
15	174-288-8	Blade	9	43	976-006-0	Spring (3 x 5)	1	74	939-105-0	Allen Wrench (4mm)	1
16	174-289-0	Front Plate	1	44	976-792-0	Spring (3.5 x 21) (0.45) WPC	2	75	939-091-0	Allen Wrench (1.5mm)	1
17	177-036-5	Hammer Casing Connector	1	45	976-229-0	Spring (3.2 x 13) 10.3	1	76	010-790-1	Suspension Ring	1
18	178-439-8	Front Casing	1	46	978-282-0	Snap Ring (28 x 1.0)	1				
19	190-328-6	Anvil Bushing	1	48	981-002-0	Ball (1/8)	1				
20	196-901-4	Rear Liner Plate	1	50	982-401-0	Ball Bearing (EE-2)	1				
21	190-902-6	Liner	1	51	982-402-0	Ball Bearing (EE-3)	1				
22	891-303-1	Anvil (OP-P)	1	52	990-320-0	O-Ring (ARP568-003)	2				
23	190-440-6	Driving Blade	2	53	990-329-0	O-Ring (JW1530-19)	1				
24	168-904-0	Liner Front Plate	1	54	990-337-0	O-Ring (JW1530-27)	2				
25	178-905-9	Liner Casing	1	55	990-912-0	O-Ring (SNS-14)	1				
26	190-906-6	Liner Casing Setter	1	56	981-045-0	Ball (1.5)	8				

**FOOTNOTES**

■ = Parts for Alpha 61D

AIMCO also offers a complete line of standard & special adapters, bits, sockets and extensions.



**AIMCO**

When ordering spare parts, please specify tool type, part number and description.  
 10000 SE PINE, PORTLAND, OR 97216  
 503-254-6600 FAX 503-255-2615