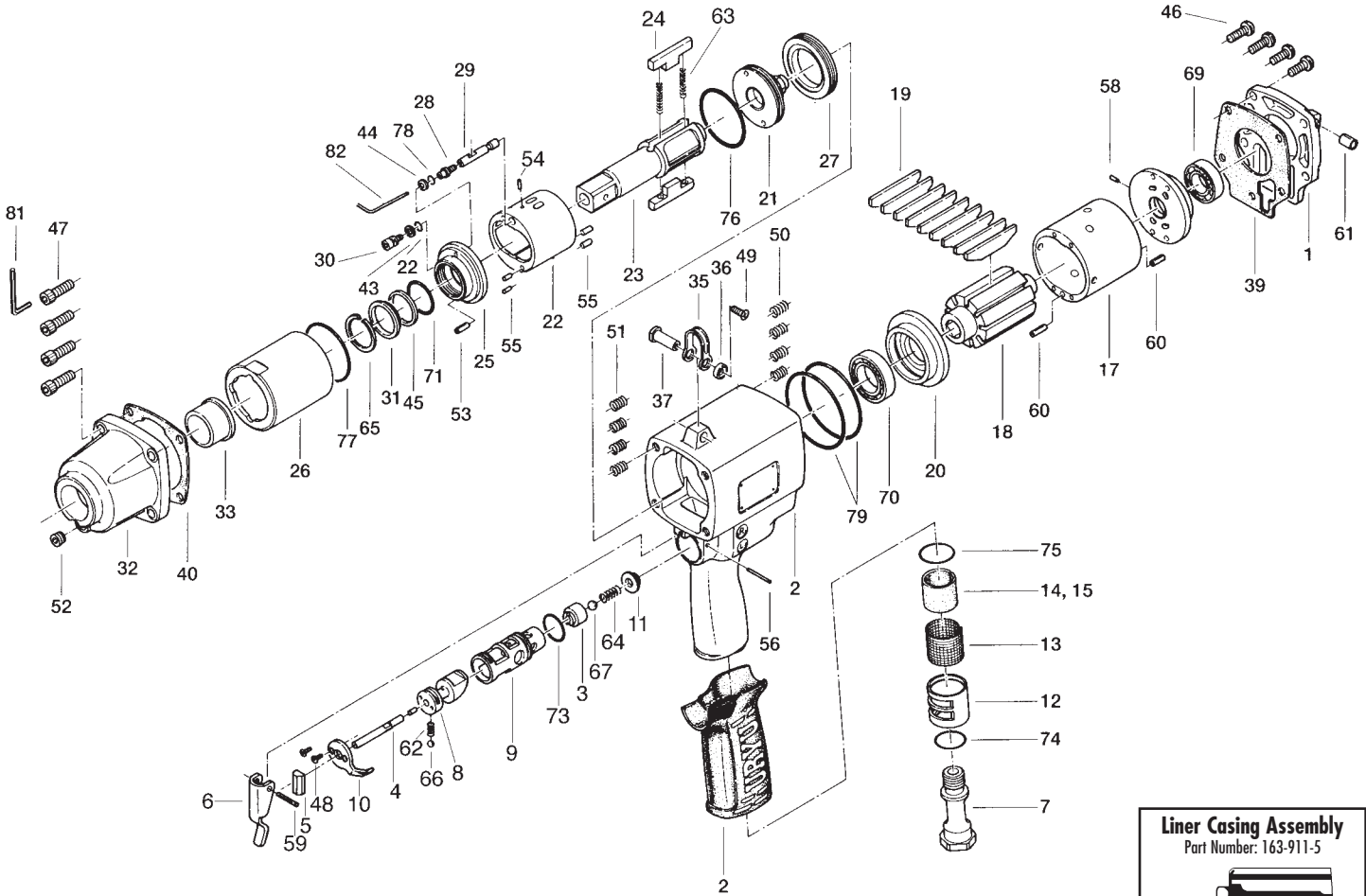


EXPLODED VIEW



PARTS LIST — FOR REFERENCE ONLY

Index Number	Part Number	Description	Qty.	Index Number	Part Number	Description	Qty.	Index Number	Part Number	Description	Qty.
1	195-012-3	Head Cover	1	30	194-742-3	Oil Plug	1	63	976-795-0	Spring (4.3 X 40.5 X 0.6) WPC	2
2	163-025-5	Handle	1	31	163-807-5	Spacer	1	64	976-142-0	Spring (6 X 17.5 X 0.6)	1
3	163-100-6	Valve	1	32	163-439-5	Front Casing	1	65	979-209-0	Inner Snap Ring (32)	1
4	163-104-6	Valve Rod	1	33	195-328-7	Anvil Bushing	1	66	981-002-0	Ball (1/8)	1
5	163-106-6	Valve Rod Cap	1	36	195-790-9	Suspension Ring	1	67	981-206-0	Ball (1/4) Black	1
6	163-107-6	Valve Lever	1	37	149-796-9	Suspension Ring Bushing	1	68	981-047-0	Ball (3/32)	8
7	163-091-6	Air Inlet Bushing	1	38	163-842-6	Handle Cover	1	69	982-103-0	Ball Bearing (6003)	1
8	163-210-6	Reverse Valve	1	39	195-853-3	Handle Cover Packing	1	70	982-906-0	Ball Bearing (6905)	1
9	163-211-6	Reverse Valve Bushing	1	40	195-867-3	Front Casing Packing	1	71	990-170-0	O-Ring (ARP-568-120 NTN)	1
10	163-212-3	Reverse Lever	1	43	944-003-0	Supporting Ring (3 X 5 X 1)	1	72	990-970-0	O-Ring (SNS-2 NOK)	1
11	163-109-6	Valve Spring Setter	1	44	944-205-0	Supporting Ring (5.1 X 7 X 1)	1	73	990-916-0	O-Ring (SNS-18)	1
12	163-780-6	Exhaust Stack	1	45	944-225-0	Supporting Ring (25.2 X 29.4 X 1.5)	1	74	990-919-0	O-Ring (SNS-22)	1
13	163-042-3	Silencer	1	46	945-117-0	Allen Head Bolt (M5 X 16)	4	75	990-923-0	O-Ring (SNS-26)	1
14	163-835-5	Filter (k100)	1	47	945-220-0	Allen Head Bolt (M6 X 20)	4	76	990-936-0	O-Ring (SNS-45)	1
15	163-835-6	Filter (K200)	1	48	948-423-0	Allen Flush Head Screw (M3 X 6)	2	77	990-937-0	O-Ring (SNS-46)	1
16	163-285-5	Rear Plate	1	49	948-430-0	Allen Flush Head Screw (M4 X 8)	1	78	990-972-0	O-Ring (SNS-4 NOK)	1
17	163-286-5	Cylinder	1	50	965-011-0	Heli-Sert (M5 X 1.5)	4	79	990-990-0	O-Ring (SNS-65)	1
18	163-287-5	Rotor	1	51	965-021-0	Heli-Sert (M6 X 1.5D)	4	ACCESSORIES			
19	163-288-5	Blade	9	52	966-100-0	Allen Head Plug (GM-1/8)	1	81	939-104-0	Allen Wrench 5	1
20	163-289-5	Front Plate	1	53	969-484-0	Pin (D) (3 X 8)	1	82	939-109-0	Allen Wrench 2	1
21	195-901-3	Rear Liner Plate	1	54	970-093-0	Pin (H) (2 X 6)	1				
22	172-902-5	Liner	1	55	970-206-0	Pin (H) (3 X 8)	4				
23	163-319-5	Anvil (3/4)	1	56	971-126-0	Pin (2 X 26)	1				
24	195-440-6	Driving Blade	2	57	972-090-0	Roller Pin (3 X 10)	1				
25	163-904-5	Front Liner Plate	1	58	973-066-0	Roll Pin (2.5 X 6)	1				
26	195-906-6	Liner Casing	1	59	973-120-0	Roll Pin (3 X 20)	1				
27	195-906-3	Liner Casing Setter	1	60	973-212-0	Roll Pin (4 X 12)	2				
28	175-907-9	Relief Valve Spindle	1	61	973-360-0	Roll Pin (8 X 10)	1				
29	163-970-5	Relief Valve	1	62	976-006-0	Spring (3 X 5 X 0.4)	1				



When ordering spare parts, please specify tool type, part number and description.

10000 SE PINE, PORTLAND, OR 97216
503-254-6600 FAX 503-255-2615

FOOTNOTES

AIMCO also offers a complete line of standard & special adapters, bits, sockets and extensions.

REVISED 8/00