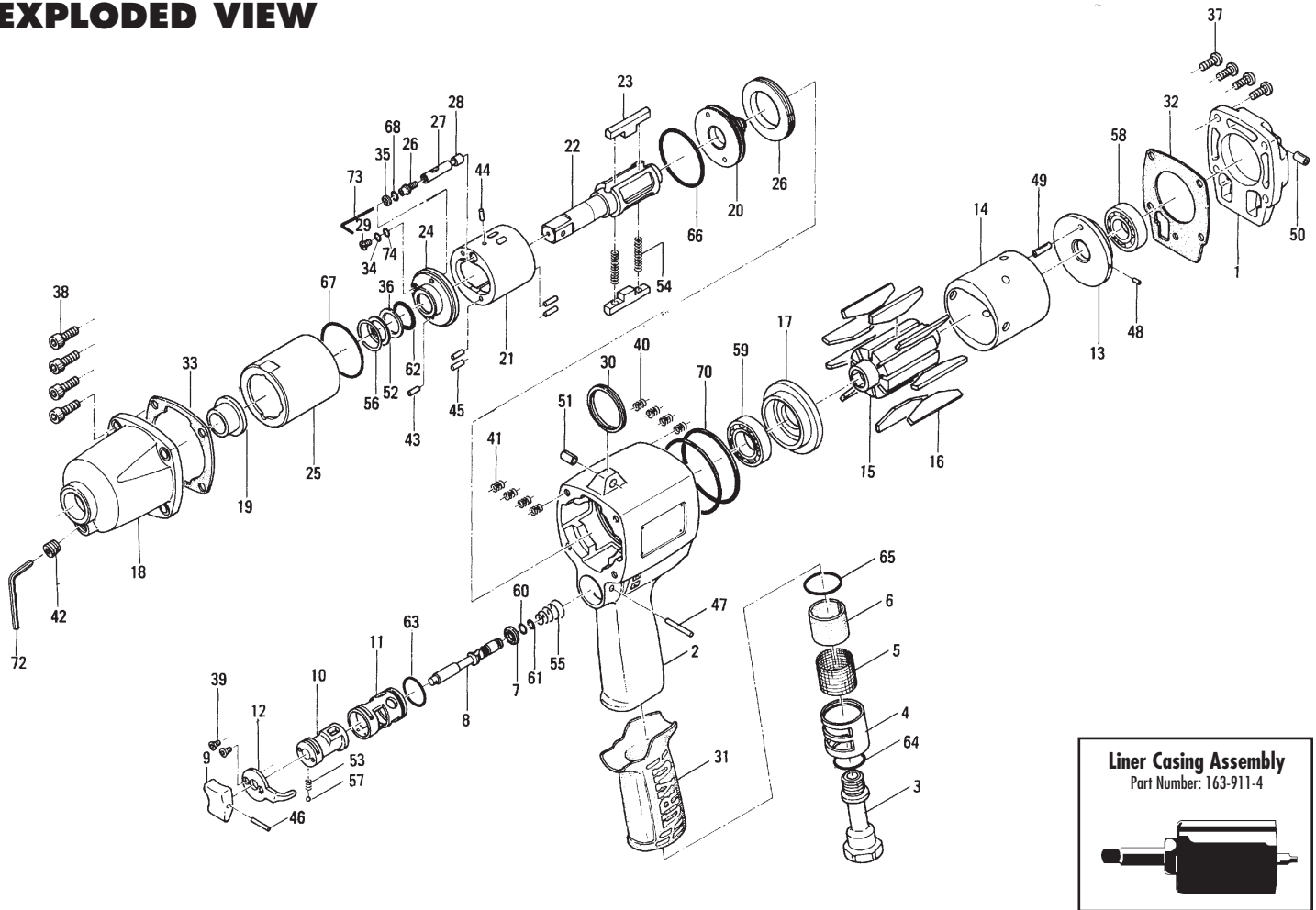


α ALPHA 140 OIL-PULSE TOOLS

EXPLODED VIEW



Liner Casing Assembly
Part Number: 163-911-4



PARTS LIST — FOR REFERENCE ONLY

Index Number	Part Number	Description	Qty.	Index Number	Part Number	Description	Qty.	Index Number	Part Number	Description	Qty.
1	195-012-3	Handle Cover	1	27	175-907-9	Relief Valve Spindle	1	53	976-006-0	Spring (3 x 5 x 0.4)	1
2	163-025-4	Handle	1	28	163-970-4	Relief Valve	1	54	976-795-0	Spring (4.3 x 40.5 x 0.6)	2
3	163-091-4	Air Inlet Bushing	1	29	194-742-3	Oil Plug	1	55	977-228-0	Cone Spring (9 x 14.5 x 22)	1
4	163-780-3	Exhaust Bushing	1	30	004-790-2	Suspension Ring	1	56	978-328-0	Snap Ring (33 x 1.5)	1
5	163-042-3	Silencer	1	31	173-842-0	Handle Cover	1	57	981-002-0	Ball (1/8)	1
6	163-835-3	Filter (K50)	1	32	175-853-2	Handle Cover Packing	1	58	982-103-0	Ball Bearing (6003)	1
7	163-100-3	Valve	1	33	195-867-3	Front Casing Packing	1	59	982-906-0	Ball Bearing (6905)	1
8	163-104-3	Valve Rod	1	34	944-003-0	Supporting Ring (3 x 5 x 1)	1	60	990-002-0	O-Ring (P4)	1
9	177-107-5	Valve Lever	1	35	944-205-0	Supporting Ring (5.1 x 7 x 1)	1	61	990-004-0	O-Ring (P6)	1
10	163-210-3	Reverse Valve	1	36	944-225-0	Supporting Ring (25.2 x 29.4 x 1.5)	1	62	990-170-0	O-Ring (ARP568-120)	1
11	163-211-3	Reverse Valve Bushing	1	37	945-116-0	Allen Head Bolt (M5 x 16)	4	63	990-916-0	O-Ring (SNS-18)	1
12	163-212-3	Reverse Lever	1	38	945-220-0	Allen Head Bolt (M6 x 20)	4	64	990-918-0	O-Ring (SNS-20)	1
13	163-285-4	Rear Plate	1	39	948-423-0	Allen Flush Head Bolt (M3 x 6)	2	65	990-920-0	O-Ring (SNS-25)	1
14	163-286-4	Cylinder	1	40	965-011-0	Heli-Sert (M5 x 1 .5D)	4	66	990-936-0	O-Ring (SNS-45)	1
15	163-287-4	Rotor	1	41	965-021-0	Heli-Sert (M6 x 1.5D)	4	67	990-937-0	O-Ring (SNS-46)	1
16	163-288-3	Blade	9	42	966-100-0	Allen Head Plug (1/8)	1	68	990-972-0	O-Ring (SNS-4)	1
17	163-289-4	Front Plate	1	43	969-450-0	Pin (G) (3 x 8)	1	70	990-990-0	O-Ring (SNS-65)	2
18	163-439-4	Front Casing	1	44	970-093-0	Pin (H) (2 x 6)	1	74	990-900-0	O-Ring (SNS-2)	1
19	163-328-4	Anvil Bushing	1	45	970-206-0	Pin (H) (3 x 8)	4	72	939-104-0	Allen Wrench (5mm)	1
20	195-901-3	Rear Line Plate	1	46	971-126-0	Pin (2 x 26)	1				
21	175-902-9	Liner	1	47	973-014-0	Roll Pin (2 x 14)	1				
22	163-319-4	Anvil (3/4 SQ)	1	48	973-066-0	Roll Pin (2.5 x 6)	1				
23	195-440-3	Driving Blade	2	49	973-212-0	Roll Pin (4 x 12)	1				
24	172-904-5	Front Liner Plate	1	50	973-360-0	Roll Pin (8 x 10)	1				
25	195-905-3	Liner Casing	1	51	973-361-0	Roll Pin (8 x 12)	1				
26	195-906-3	Liner Casing Setter	1	52	975-242-0	Spacer (3.0 x 25.4 x 1.5)	1				

ACCESSORIES

73	939-109-0	Allen Wrench (2mm)	1
----	-----------	--------------------	---

FOOTNOTES

AIMCO also offers a complete line of standard & special adapters, bits, sockets and extensions.



AIMCO

When ordering spare parts, please specify tool type, part number and description.

10000 SE PINE, PORTLAND, OR 97216
503-254-6600 FAX 503-255-2615