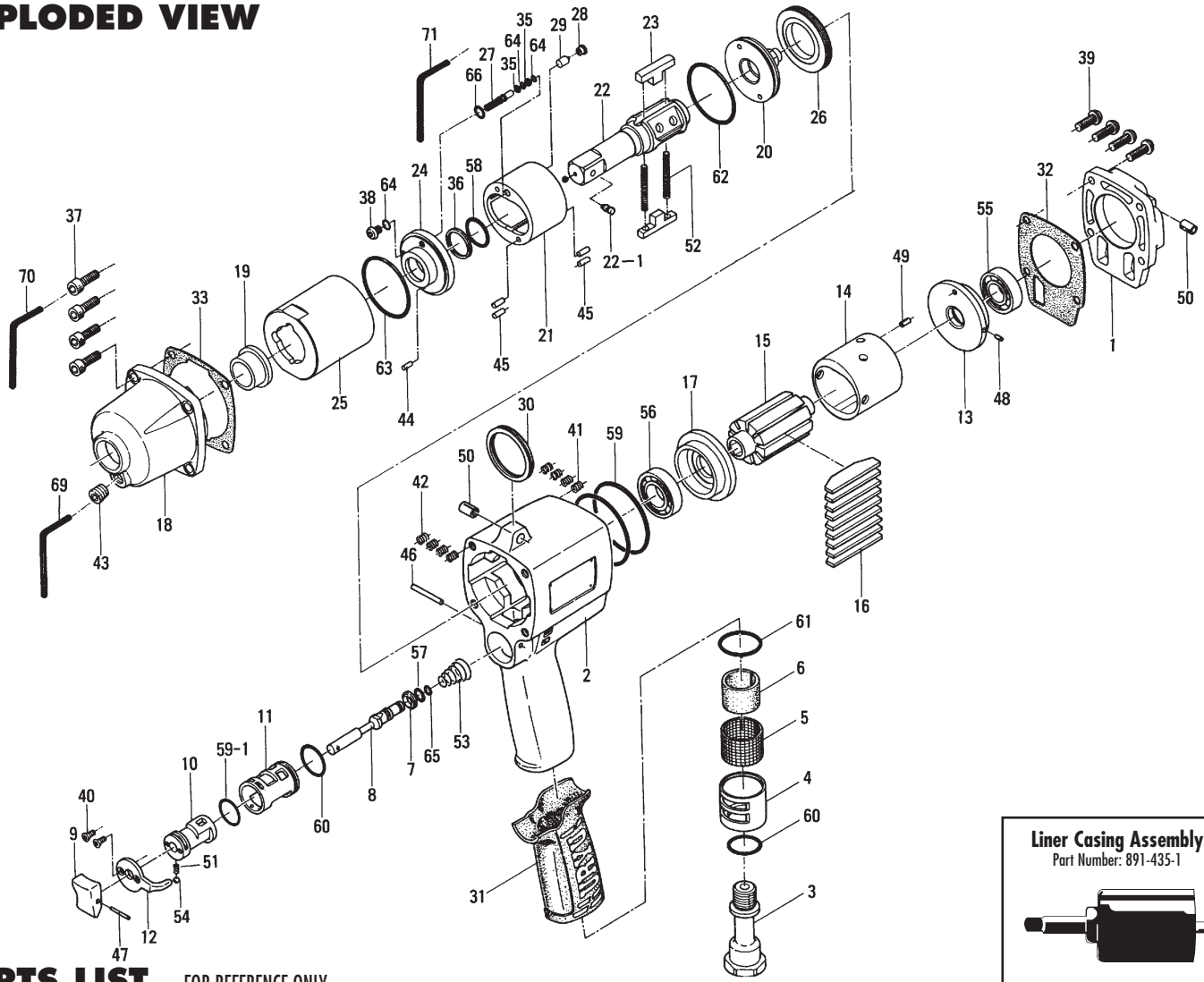


EXPLODED VIEW



PARTS LIST — FOR REFERENCE ONLY

Index Number	Part Number	Description	Qty.
1	194-012-4	Handle Cover	1
2	163-025-2	Handle	1
3	173-091-0	Air Inlet Bushing	1
4	173-780-0	Exhaust Bushing	1
5	173-042-0	Silencer	1
6	173-835-0	Filter (K100)	1
7	173-100-0	Valve	1
8	173-104-0	Valve Rod	1
9	177-107-5	Valve Lever	1
10	173-210-0	Reverse Valve	1
11	173-211-0	Reverse Valve Bushing	1
12	173-212-0	Reverse Lever	1
13	163-285-2	Rear Plate	1
14	163-286-2	Cylinder	1
15	163-287-2	Rotor	1
16	173-288-0	Blade	9
17	163-289-2	Front Plate	1
18	194-439-4	Front Casing	1
19	189-328-8	Anvil Bushing	1
20	194-901-4	Rear Liner Plate	1
21	194-902-4	Liner	1
22	891-312-1	Anvil Assembly	1
22-1	891-304-1	Socket Pin Assembly	1
23	194-440-4	Driving Blade	2
24	194-904-4	Front Liner Plate	1

Index Number	Part Number	Description	Qty.
25	194-905-4	Liner Casing	1
26	194-906-4	Liner Casing Setter	1
27	194-907-4	Relief Valve Spindle	1
28	194-969-4	Relief Valve Plug	1
29	195-970-3	Relief Valve	1
30	004-790-2	Suspension Ring	1
31	173-842-0	Handle Cover	1
32	944-853-4	Handle Cover Packing	1
33	944-867-4	Front Casing Packing	1
35	994-003-0	Supporting Ring (3.0 x 5.0 x 11)	2
36	994-215-0	Supporting Ring (16 x 19.9 x 1.5)	1
37	945-216-0	Allen Head Bolt (M6 x 16)	4
38	945-942-0	Allen Head Bolt (M4 x 6) (S)	1
39	945-955-0	Hexagon Head Bolt (M5 x 16)	4
40	948-423-0	Allen Flush Head Bolt (M3 x 6)	2
41	965-011-0	Heli-Sert (M5 x 1.5D)	4
42	965-021-0	Heli-Sert (M6 x 1.5D)	4
43	966-100-0	Allen Head Plug (1/8)	1
44	969-450-0	Pin (G) (3 x 8)	1
45	970-206-0	Pin (H) (3 x 8)	1
46	971-125-0	Pin (2 x 25)	1
47	973-014-0	Roll Pin (2x14)	1
48	973-066-0	Roll Pin (2.5 x 6)	1
49	973-108-0	Roll Pin (3 x 8)	1
50	973-340-0	Roll Pin (6 x 10)	2

Index Number	Part Number	Description	Qty.
51	976-006-0	Spring (3 x 5) (0.4)	1
52	976-453-0	Spring (4.5 x 34.5) (0.6)	2
53	977-160-0	Cone Spring (7.4 x 14 x 20)	1
54	981-002-0	Ball (1/8)	1
55	982-403-0	Ball Bearing (EE-4)	1
56	982-951-0	Ball Bearing (16003)	1
57	990-002-0	O-Ring (P4)	1
58	990-156-0	O-Ring (P16) (NTN)	1
59	990-611-0	O-Ring (51.2 x 2)	2
59-1	990-914-0	O-Ring (SNS-16)	1
60	990-916-0	O-Ring (SNS-18)	2
61	990-921-0	O-Ring (SNS-22.4)	1
62	990-930-0	O-Ring (SNS-40)	1
63	990-932-0	O-Ring (SNS-24)	1
64	990-971-0	O-Ring (SNS-3) (NOK)	1
65	990-972-0	O-Ring (SNS-4) (NOK)	1
66	990-974-0	O-Ring (SNS-6) (NOK)	1

Liner Casing Assembly
Part Number: 891-435-1

ACCESSORIES			
Index Number	Part Number	Description	Qty.
69	939-104-0	Allen Wrench (5mm)	1
70	939-105-0	Allen Wrench (4mm)	1
71	939-109-0	Allen Wrench (2mm)	1

FOOTNOTES

AIMCO also offers a complete line of standard & special adapters, bits, sockets and extensions.



AIMCO

When ordering spare parts, please specify tool type, part number and description.
10000 SE PINE, PORTLAND, OR 97216
503-254-6600 FAX 503-255-2615